

jesco

Since 1932



1½" Diamond - 10ga
&
2" Diamond - 6ga
Mesh Installation Instructions

Jesco Industries, Inc.
950 Anderson Rd. - P.O. Box 388
Litchfield, MI 49252-0388

Any questions call (517) 542-2903

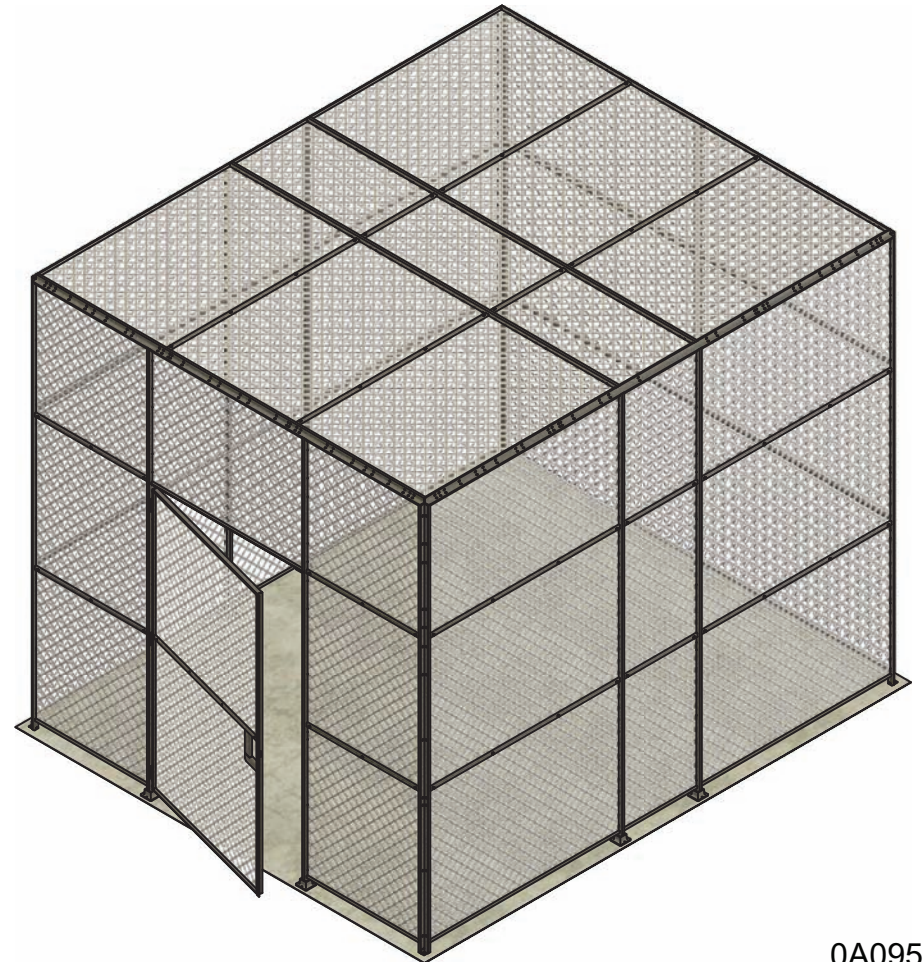
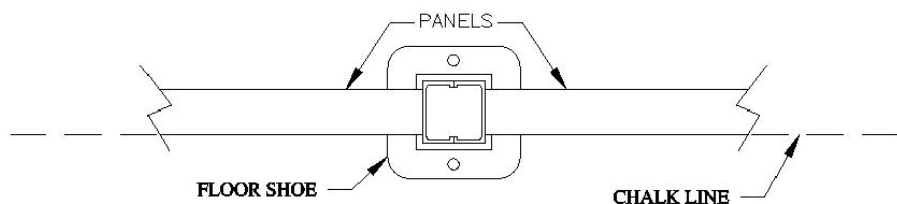


Table of contents

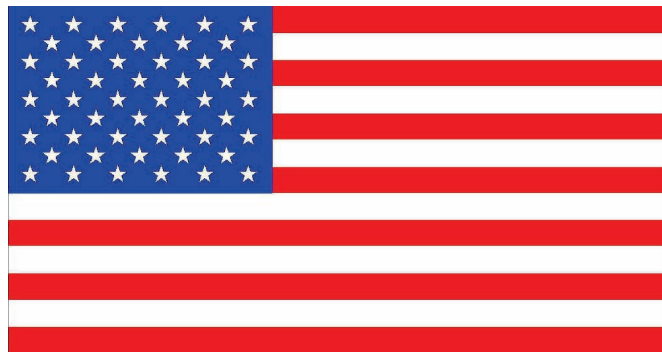
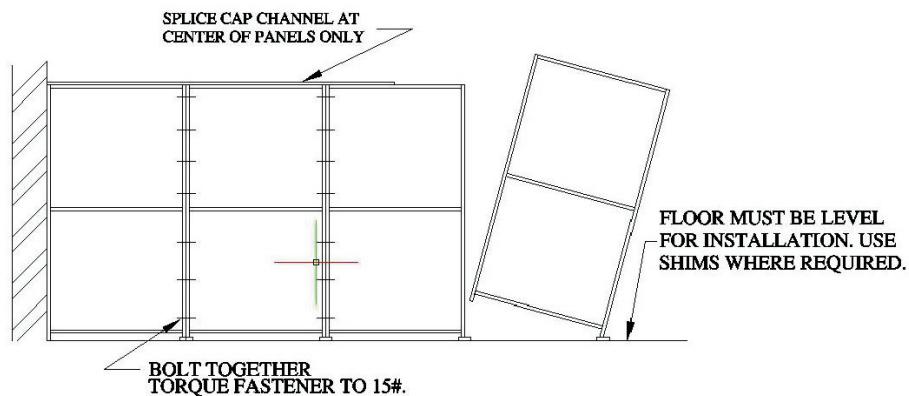
Description	Page	Description	Page
Instructions	1	Double hinged door without transom	8
Wall clips	2	Double hinged door with transom	9
Adjustable wall clips	2	Assembly of a single slide door (6'-10'W) - box track	10
Floor shoes	2	Assembly of a single slide door (6'-10'W) - angle track	10
Channel line post	2	Lock receiver post at wall	11
Channel line post at wall	3	Single slide door with angle track (full height)	12
3 way kit	3	Single slide door with transom	13
4 way kit	3	Assembly of a cantilever slide door	14
Adjustable corner angle	3	Assembled cantilever slide door with caster set	15
Corner angle	4	Double slide door - Full height	16
3 way corner channel	4	Double slide door with transom	17
Fill-a-space panel	4	Floor shoe (2" diamond - 6ga. mesh)	18
Cap channel	4	Panel connection w/tabs (2" diamond - 6ga mesh)	18
Panel to tube post connection	5	Stack panels with flat bar stiffener	18
Midway kit	5	Ceiling angle	19
Single hinged door without transom	6	3 way connection on a ceiling	19
Single hinged door with transom	6	Wall to ceiling angle	19
Dutch door without transom	7	Ceilings over 20'	20
Dutch door with transom	7	Ceilings under 20'	21

Instructions

1. Determine line of partition and mark floor with chalk line. Chalk line should line up with the inside edge of the partition.



2. Begin at start point at a wall (or fixed point). Erect first panel and fasten panel to walls with clips making sure that panel is vertical, position floor shoes (by lining up with inside edge of opening in shoe with the chalk line) and fastening to floor through holes in floor shoes. **Note: Do not tighten fasteners until all items in a section are in place.**
3. Erect panels together using other panels as a temporary means of support. Be sure panel legs are placed in floor shoe (or channel line post), and that proper openings are maintained at doors.
4. Bolt on cap channel and install any cylinder locks that the job may require.

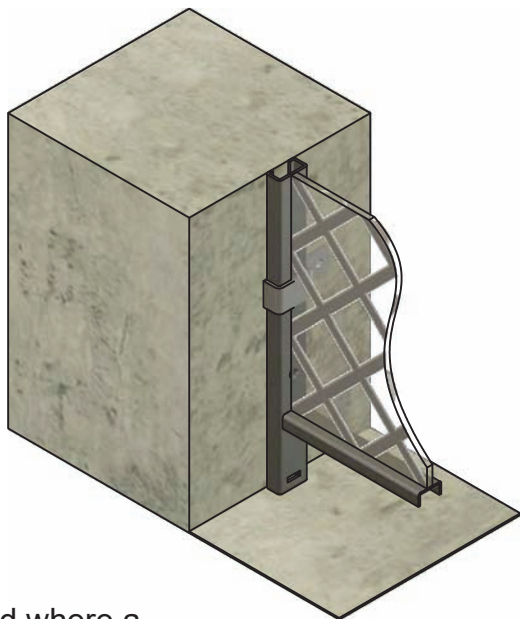


Bracing:

Install ceiling bracing as required, (bracing materials furnished by installer).
Make sure panels are vertical and plumb when braces are installed.

Wall clips

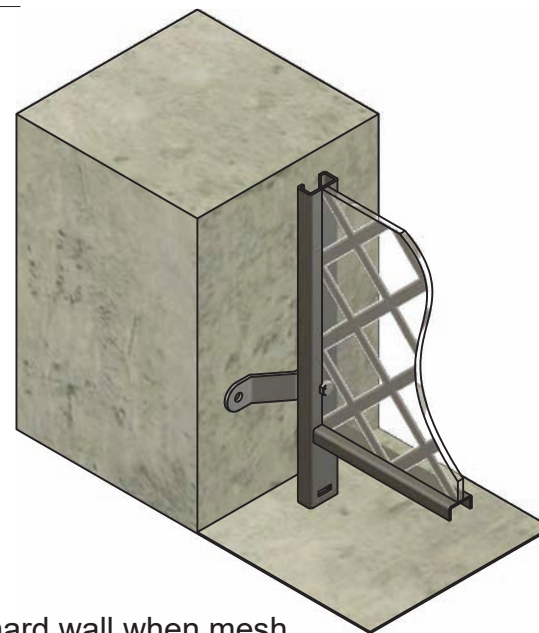
Pkg. of 3



These are located where a panel attaches to a hard wall.

Adjustable wall clips

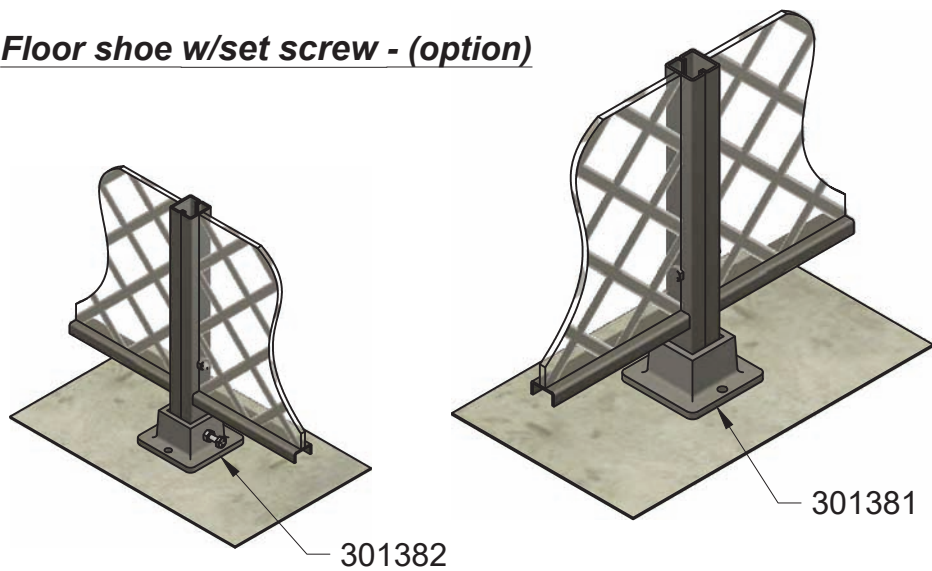
Pkg. of 3



These are located at hard wall when mesh runs from wall to wall. Maximum adjustment is 1".

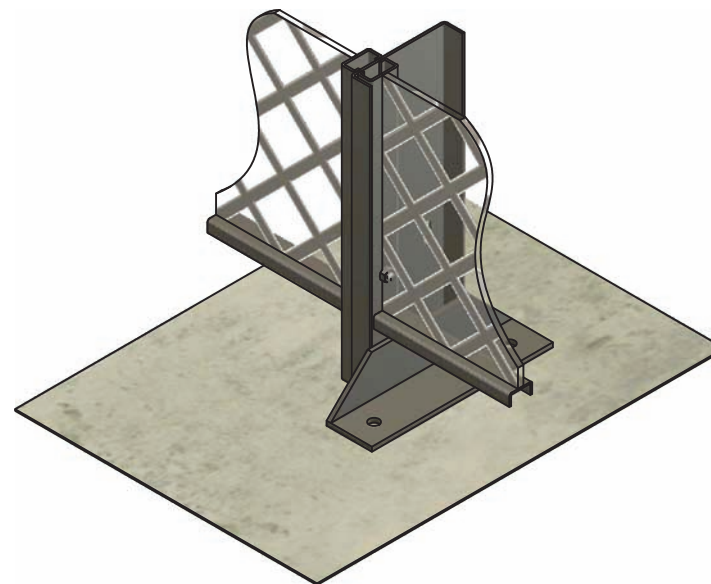
Floor shoe - (standard)

Floor shoe w/set screw - (option)



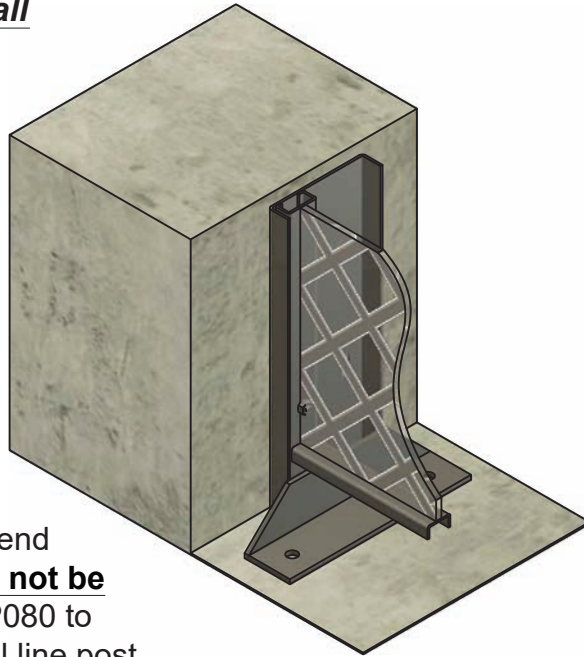
These are located where 2 panels come together.

Channel line post



These are located between mesh panels every 10-15 lineal ft.

Channel line post at wall



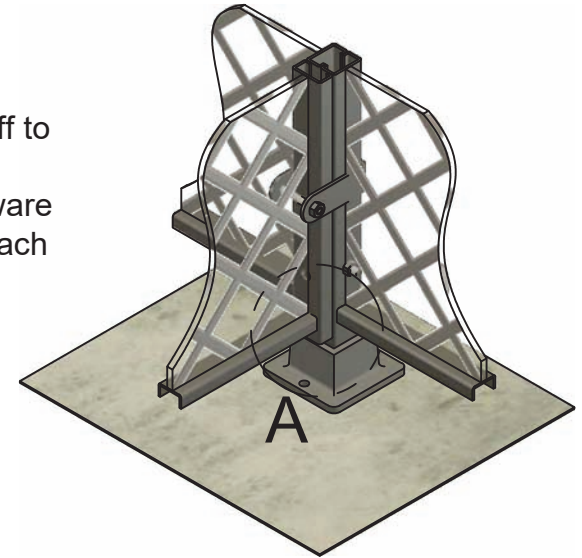
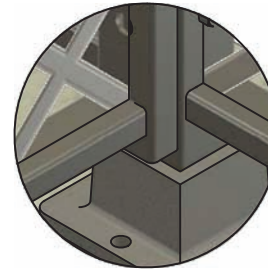
These are located at the end of a run of mesh that **can not be drilled into**. Use ½ of BP080 to attach to panel to channel line post.

3 way kit

Pkg. of 3

To install:

1. Cut 1 leg of panel off to clear floor shoe.
2. Use clips and hardware provided in kit to attach the 3 panels.



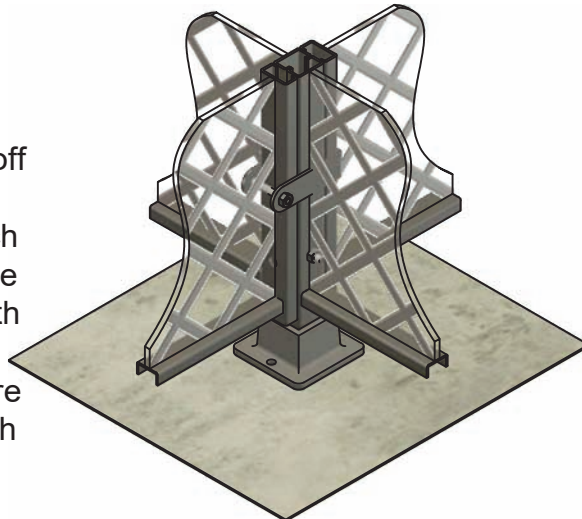
These are located when there is a return run of mesh.

4 way kit

Pkg of 3

To Install:

1. Cut 1 leg of 2 panels off to clear floor shoe. (2 panels in line with each other that **do not** make up the run of mesh with the floor shoe)
2. Use clips and hardware provided in kit to attach the 4 panels.

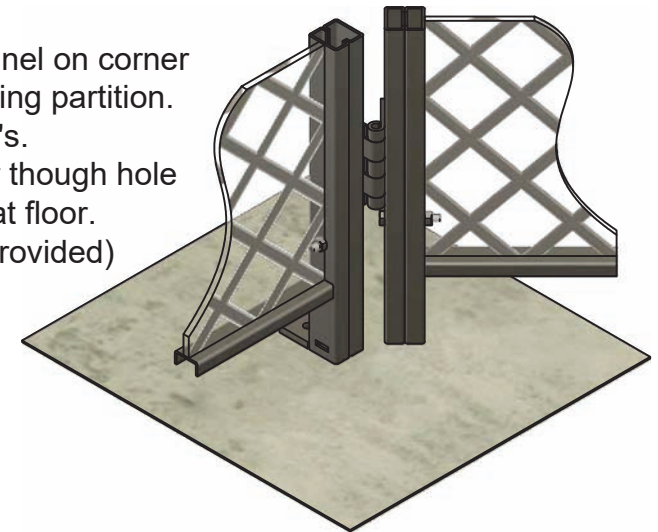


These are located where a cage is divided into 4 runs.

Adjustable corner angle

To Install:

1. Bolt each channel on corner angle to adjoining partition. Use 2 - BP082's.
2. Anchor to floor though hole located in tab at floor. (Anchors not provided)

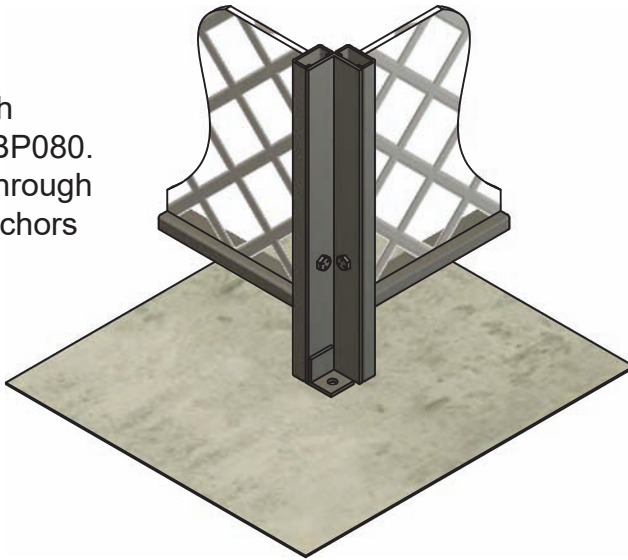


These are where a straight run meets another that is on an angle greater than 90°.

Corner angle

To Install:

1. Bolt angle to both partitions using BP080.
2. Anchor to floor through hole at floor. (Anchors not provided)

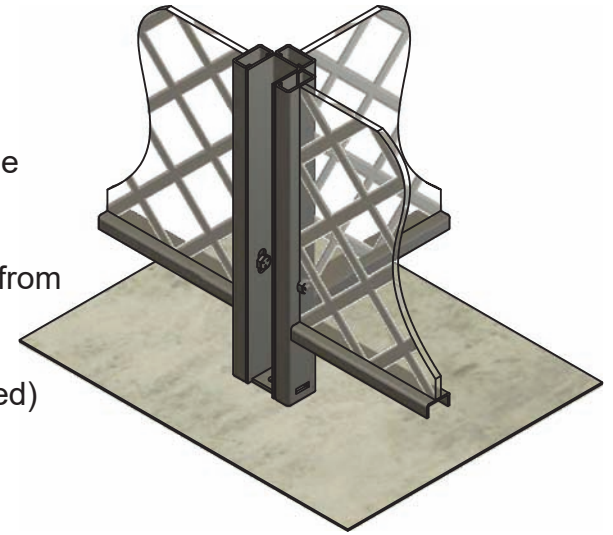


These are located where a 2 runs meet @ 90°.

3 way corner channel

To Install:

1. Remove corner angle from existing cage.
2. Bolt each panel to channel using bolts from BP080.
3. Anchor to floor. (Anchors not provided)

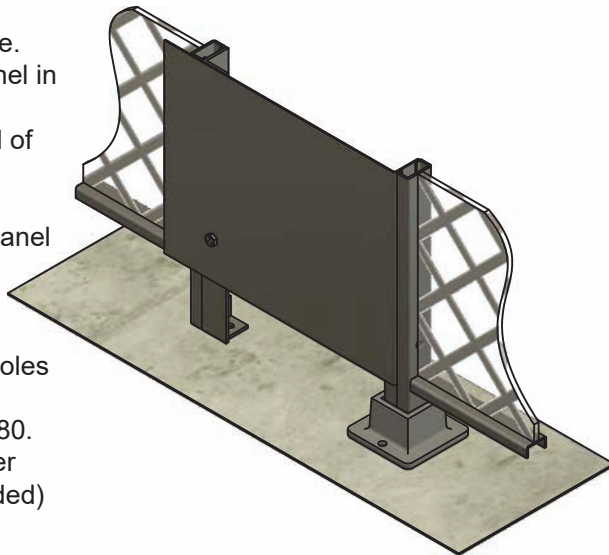


These are located when adding a run of mesh off an existing corner.

Fill-a-space panel

To Install:

1. Install panel into floor shoe.
2. Install 2½" long box channel in floor shoe.
3. Install corner angle to end of panel on opposite side of opening. Use BP080.
4. Bolt formed Fill-a-space panel to vertical framing above channel from step 2.
5. Drill through long leg of Fill-a-space panel using holes from corner angle.
6. Bolt using bolts from BP080.
7. Anchor floor shoe & corner angle. (anchors not provided)

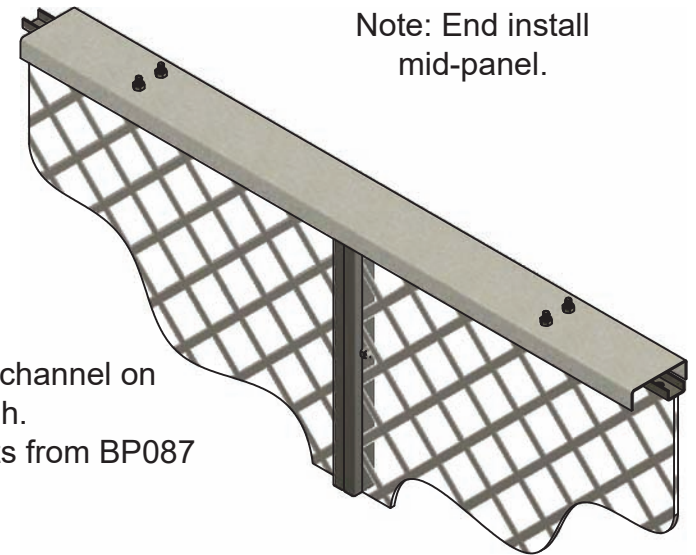


These are located where there is an gap in mesh from 2"-12".

Cap channel

To Install:

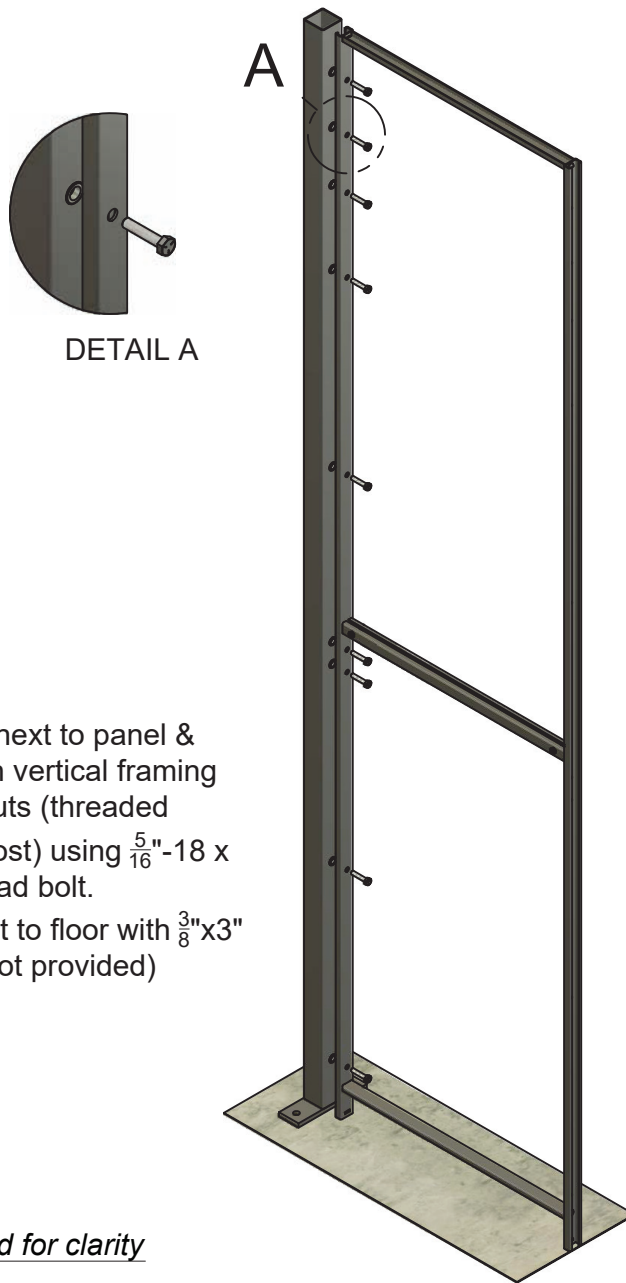
1. Place cap channel on top of mesh.
2. Use U-bolts from BP087 to attach.



Note: End install mid-panel.

This is located at top of run of mesh where mesh ceiling is not required.

Panel to tube post connection



To Install:

1. Place post next to panel & bolt through vertical framing into blind nuts (threaded inserts in post) using $\frac{5}{16}$ "-18 x 1½" hex head bolt.
2. Anchor post to floor with $\frac{3}{8}$ "x3" anchors. (not provided)

Mesh removed for clarity

Midway kit

To Install:

1. Bolt panel cap ($\frac{5}{8}$ "x1¼"xpartition height) to panel that starts new run.
2. Place in floor shoe and slide into place.
3. Anchor floor shoe to floor. (anchors not provided)
4. Place T-section of cap channel on top of new intersection.
5. Use 3 U-bolts and 6 nuts from BP087 to secure.
6. Continue with cap channel and/or panels in each direction.



These are where a run of mesh comes off the middle of another panel.

Single hinged door without transom

To Install:

1. Bolt door assembly to panel using BP082.
2. Bolt loose box channel ($\frac{5}{8}$ "x1 $\frac{1}{4}$ " x door height) to other side of opening using BP082.
3. Attach spreader bar to maintain opening by inserting tab through rectangular slot and bending tab over to secure.



Single hinged door with transom

To Install:

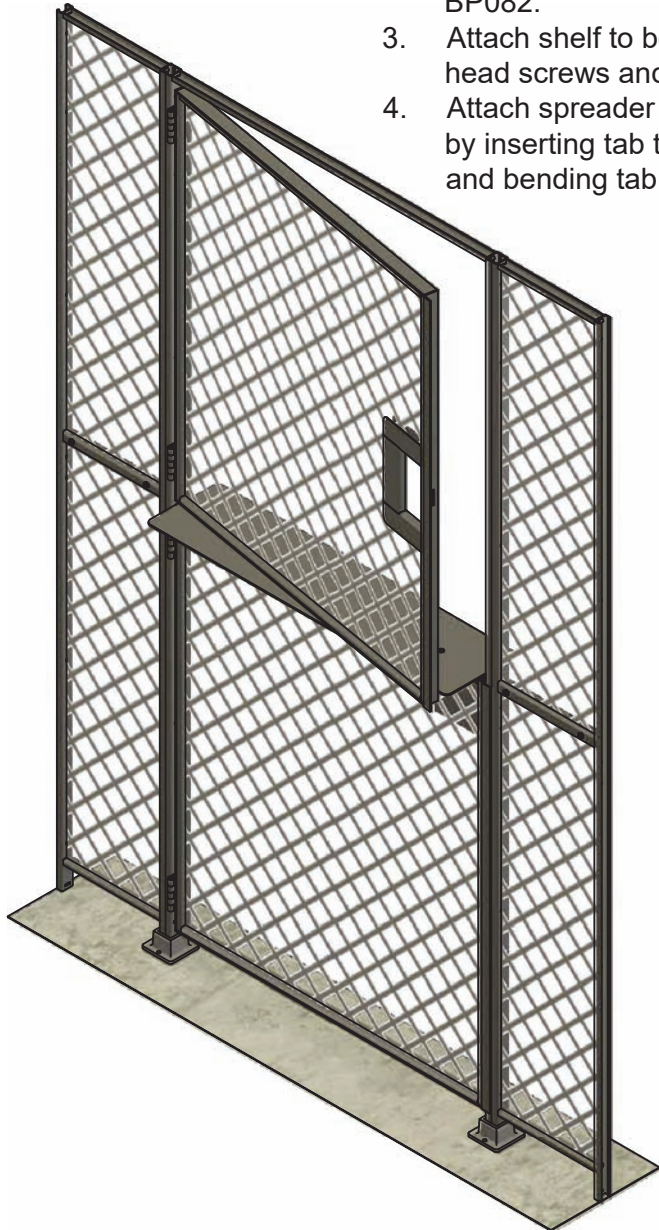
1. Bolt door assembly to panel using BP082.
2. Bolt loose box channel ($\frac{5}{8}$ "x1 $\frac{1}{4}$ "xdoor height) to other side of opening using BP082.
3. Bolt transom above door using bolts from BP082. (Flat to be facing door opening)



Dutch door without transom

To Install:

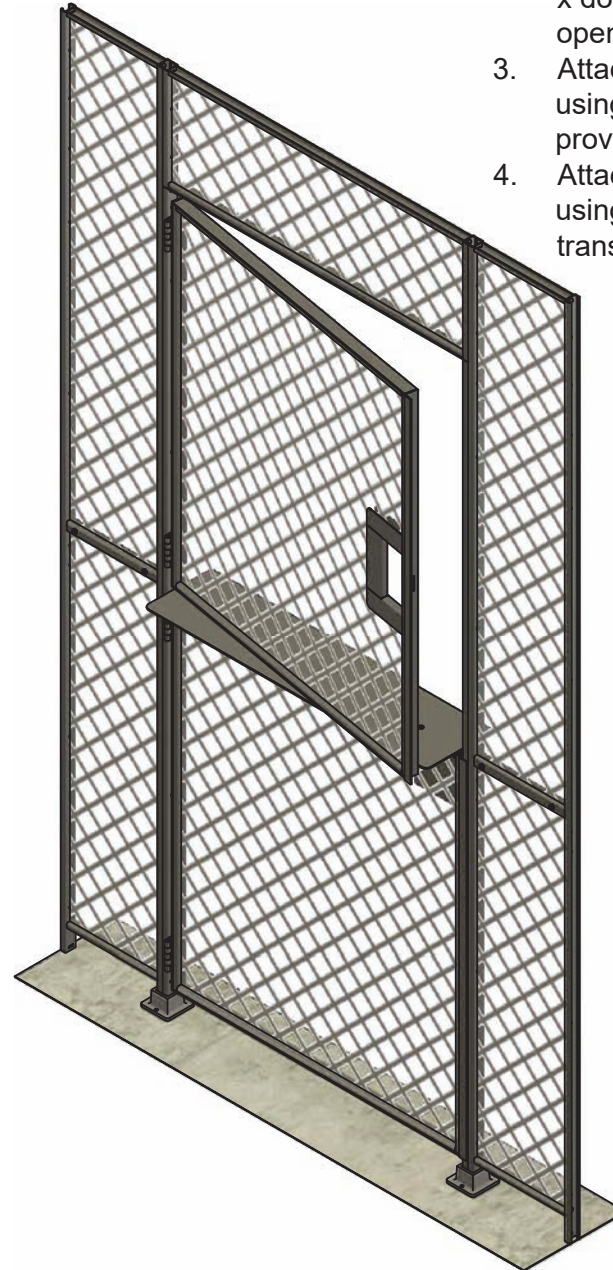
1. Bolt door assembly to panel using BP082.
2. Bolt loose box channel ($\frac{5}{8}$ "x1 $\frac{1}{4}$ " x door height) to other side of opening using BP082.
3. Attach shelf to bottom door half; using flat head screws and nuts provided.
4. Attach spreader bar to maintain opening by inserting tab through rectangular slot and bending tab over to secure.



Dutch door with transom

To Install:

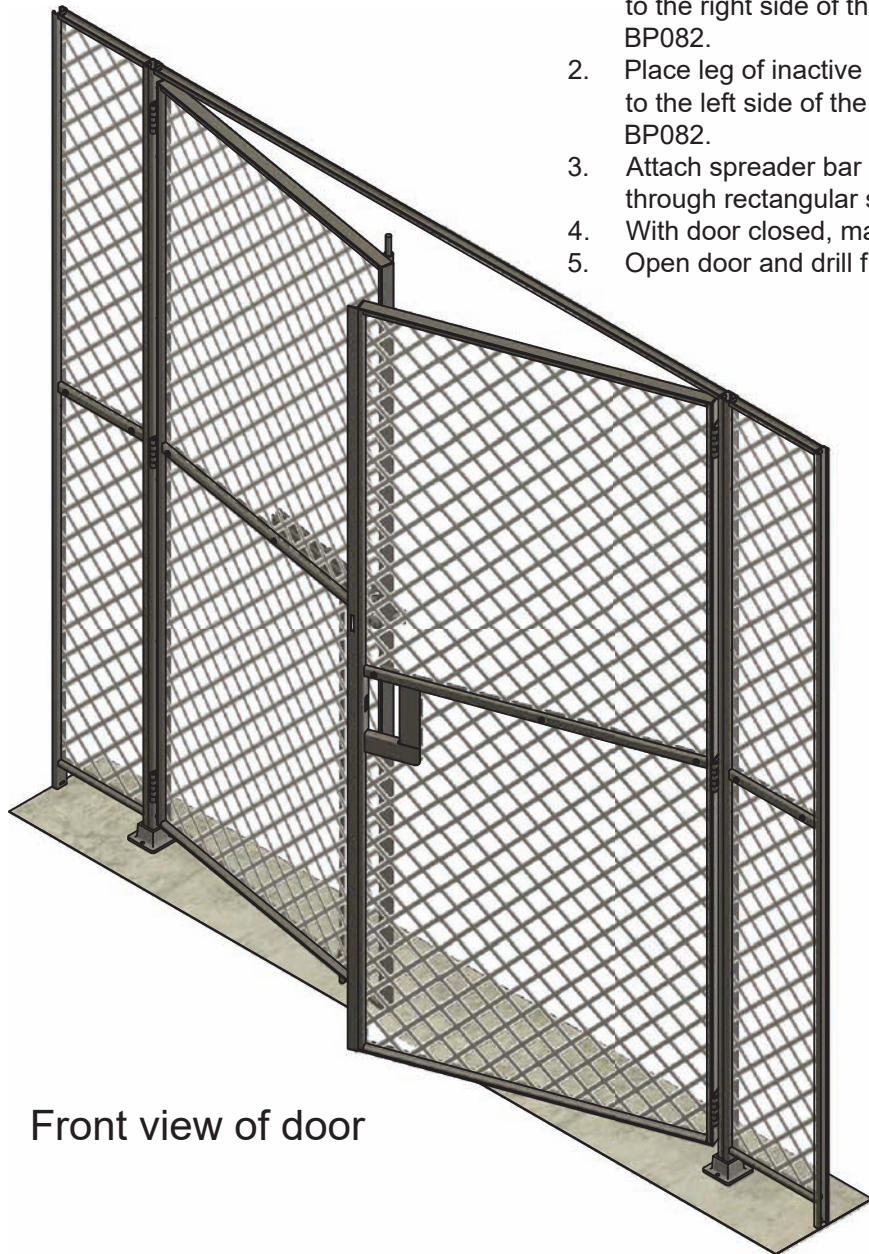
1. Bolt door assembly to panel using BP082.
2. Bolt loose box channel ($\frac{5}{8}$ "x1 $\frac{1}{4}$ " x door height) to other side of opening using BP082.
3. Attach shelf to bottom door half; using flat head screws and nuts provided.
4. Attach transom above door using bolts from BP082. (Flat on transom to be facing down)



Double hinged door without transom

To install:

1. Place leg of active leaf of door (with lock frame) into floor shoe to the right side of the opening and bolt to panel next to it using BP082.
2. Place leg of inactive leaf of door (with cane bolt) into floor shoe to the left side of the opening and bolt to panel next to it using BP082.
3. Attach spreader bar to maintain opening by inserting tab through rectangular slot and bending tab over to secure.
4. With door closed, mark floor for cane bolt.
5. Open door and drill floor to accept cane bolt.



Front view of door

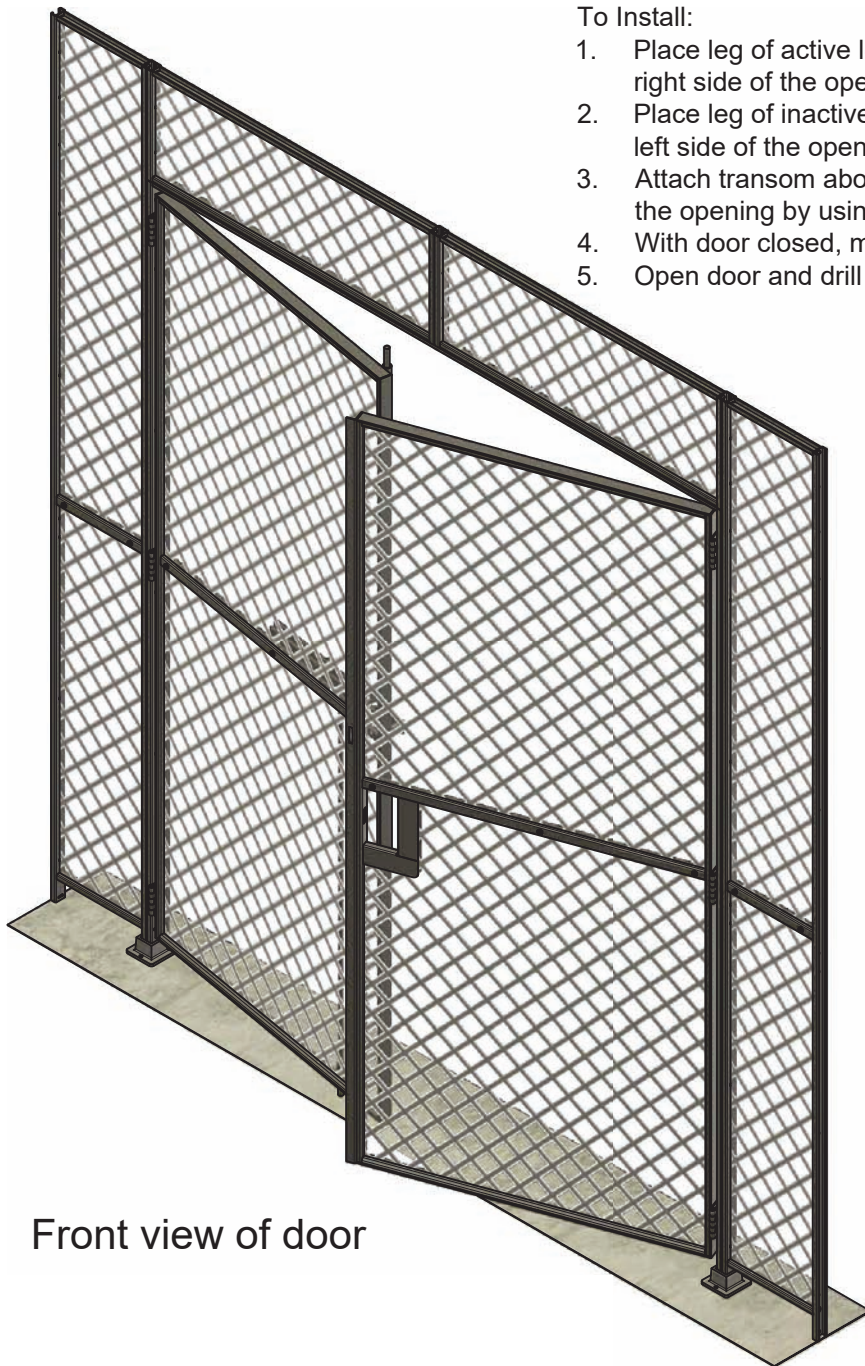


Back view of door

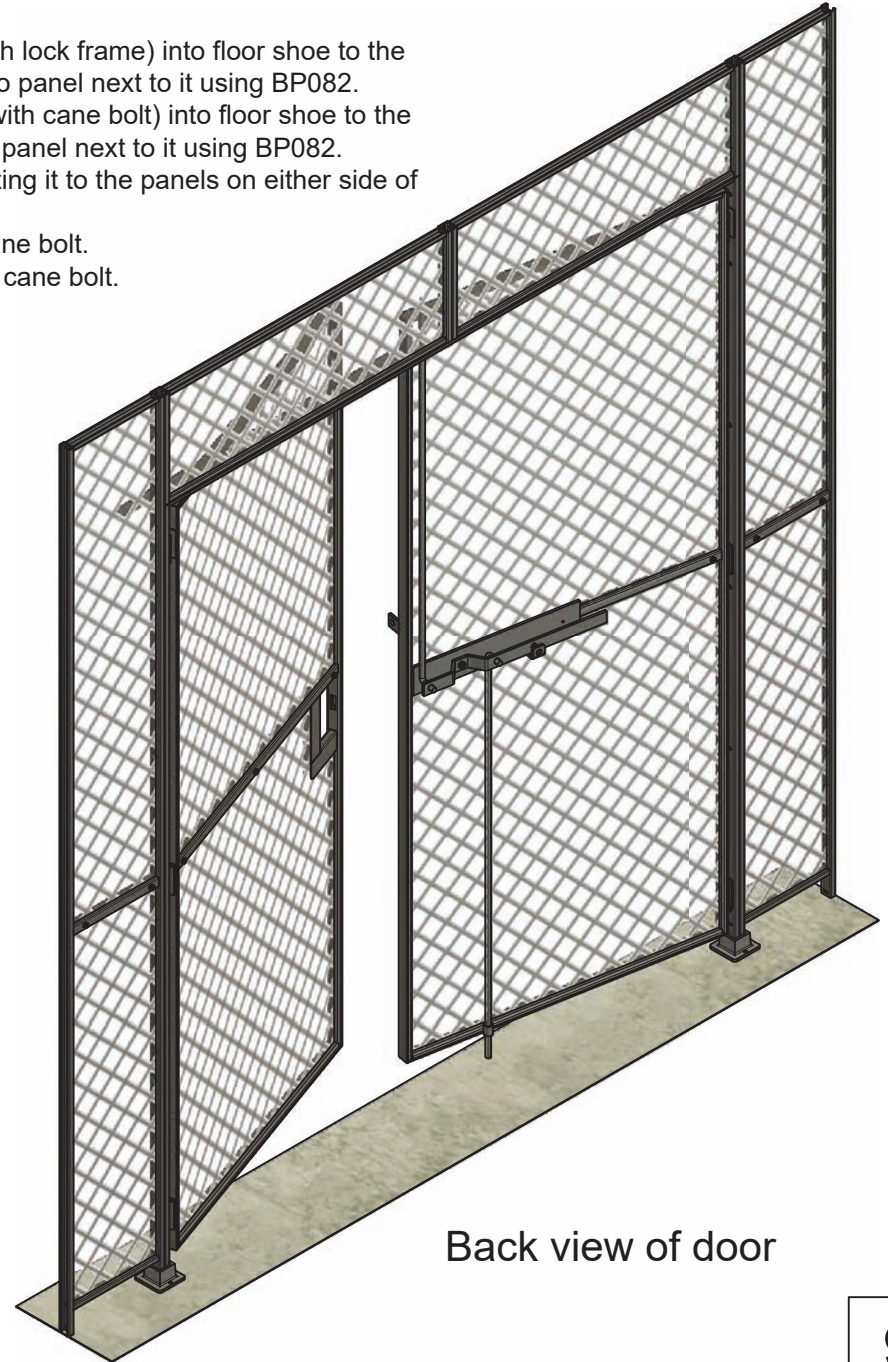
Double hinged door with transom

To Install:

1. Place leg of active leaf of door (with lock frame) into floor shoe to the right side of the opening and bolt to panel next to it using BP082.
2. Place leg of inactive leaf of door (with cane bolt) into floor shoe to the left side of the opening and bolt to panel next to it using BP082.
3. Attach transom above door by bolting it to the panels on either side of the opening by using BP082.
4. With door closed, mark floor for cane bolt.
5. Open door and drill floor to accept cane bolt.

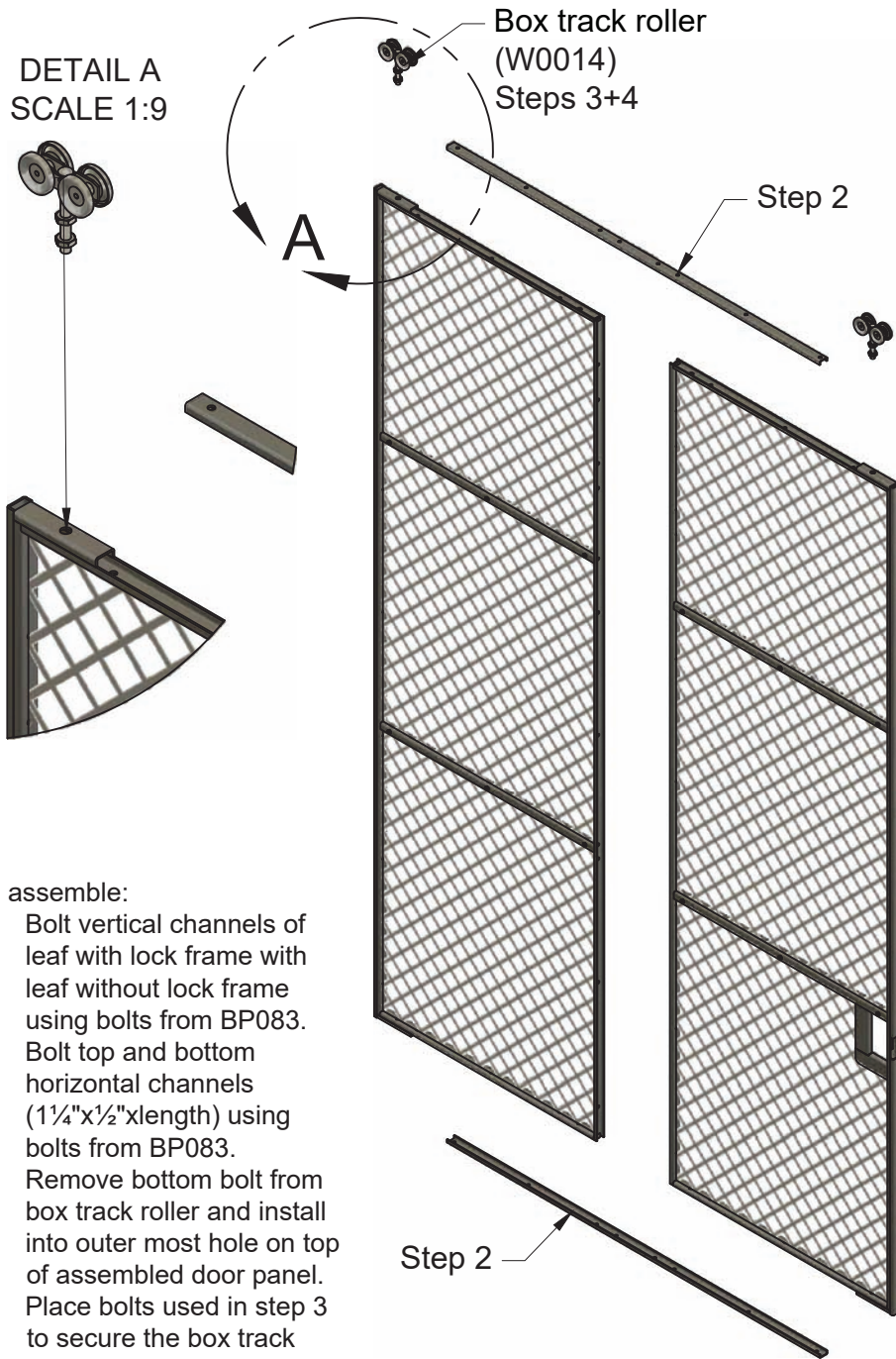


Front view of door



Back view of door

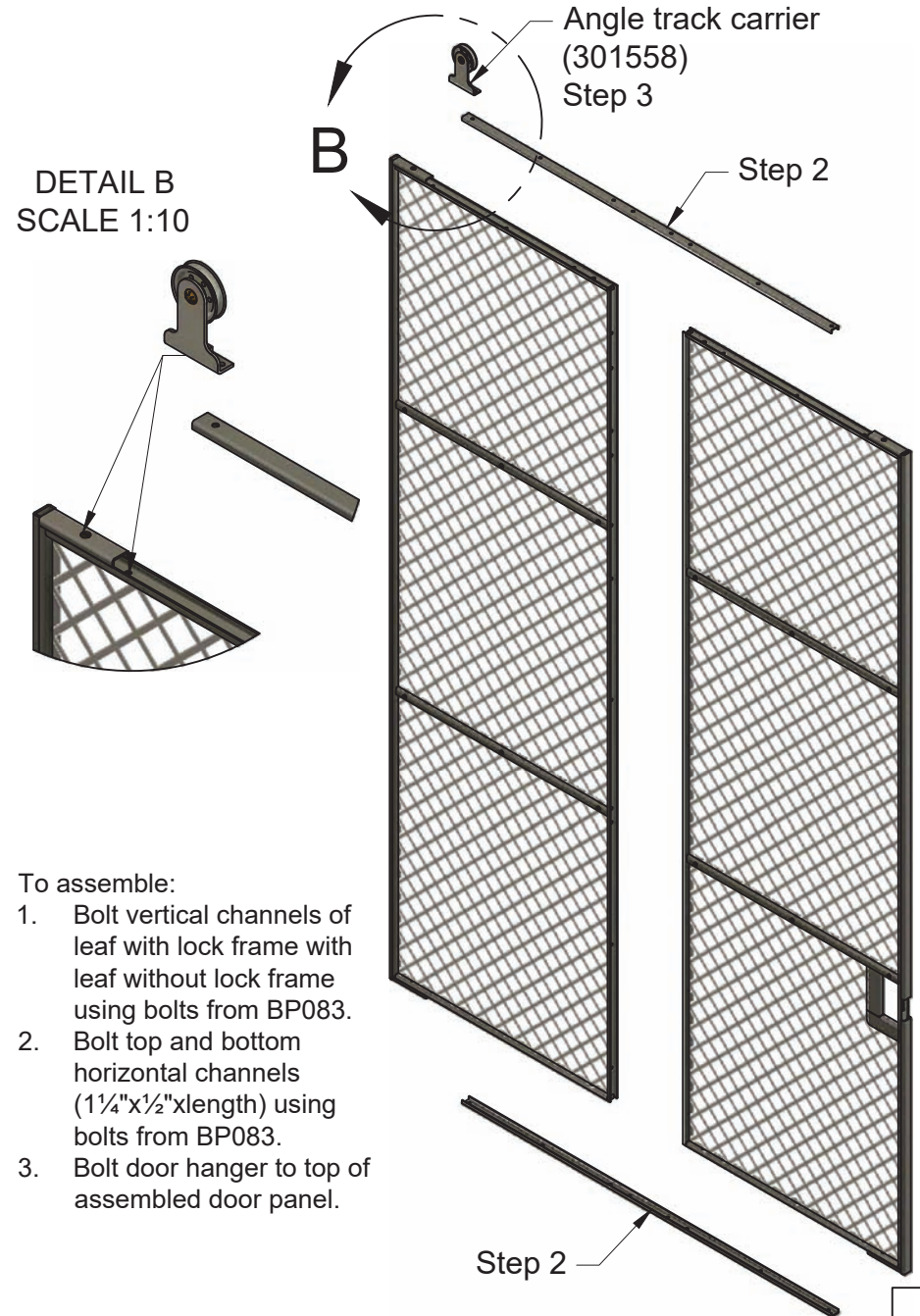
Assembly of a single slide door 6'-10"W (box track)



To assemble:

1. Bolt vertical channels of leaf with lock frame with leaf without lock frame using bolts from BP083.
2. Bolt top and bottom horizontal channels (1¼"x½"xlength) using bolts from BP083.
3. Remove bottom bolt from box track roller and install into outer most hole on top of assembled door panel.
4. Place bolts used in step 3 to secure the box track rollers to door.

Assembly of a single slide door 6'-10' (angle track)



To assemble:

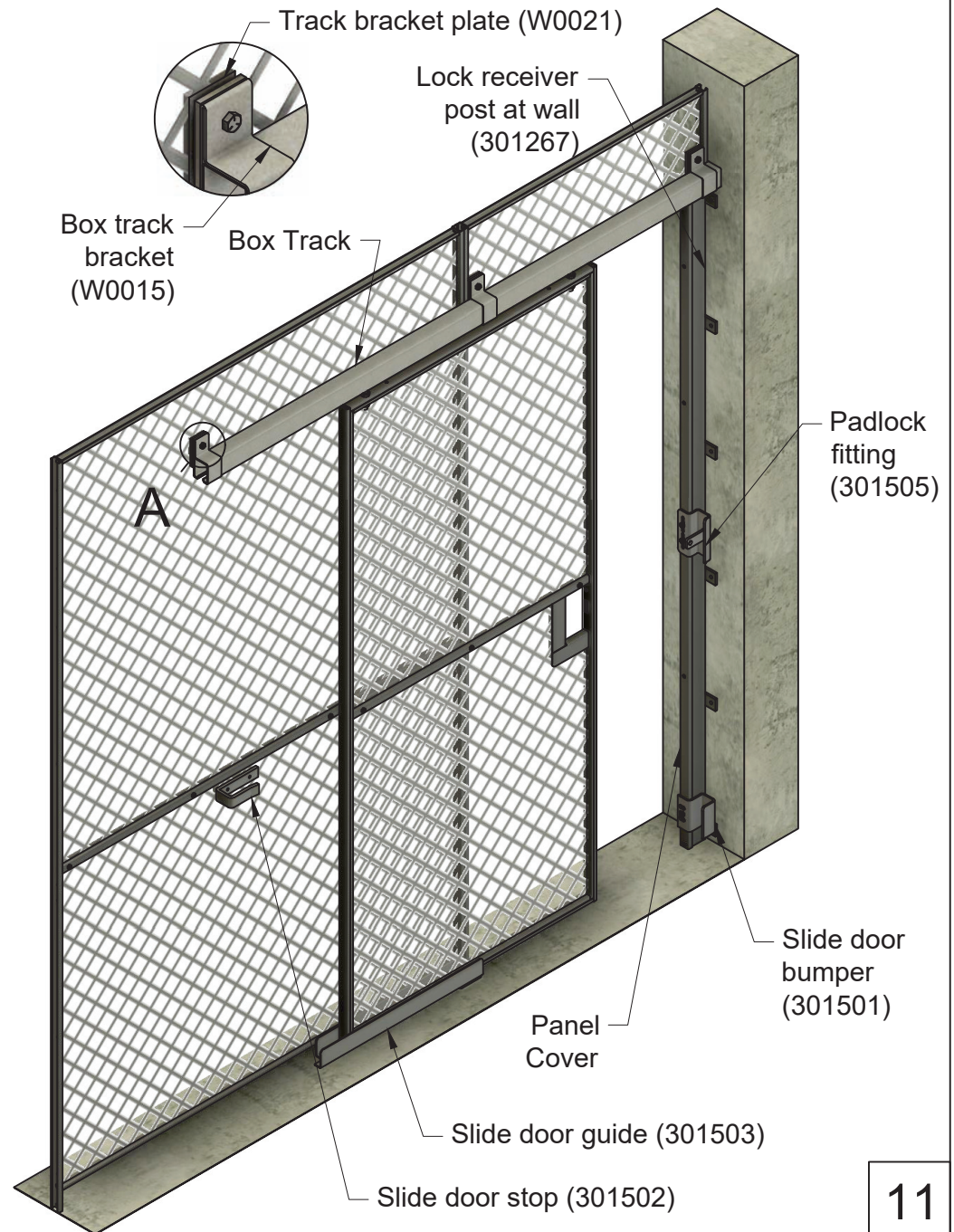
1. Bolt vertical channels of leaf with lock frame with leaf without lock frame using bolts from BP083.
2. Bolt top and bottom horizontal channels (1¼"x½"xlength) using bolts from BP083.
3. Bolt door hanger to top of assembled door panel.

Lock receiver post at wall

To Install:

1. Locate lock receiver post at wall (301267) and attach to wall using anchors. (not provided)
2. Install transom panel above (if required) by bolting to panel on one side and attach using wall clips at the wall. (Part of transom will sit on top of lock receiver post)
3. Bolt panel cover ($\frac{5}{8}$ "x1 $\frac{1}{4}$ " x nom. door height box channel) to trailing side (side with panel) using bolts from BP082.
4. Bolt panel cover ($\frac{5}{8}$ "x1 $\frac{1}{4}$ " x nom. door height box channel) along with slide door bumper (301501) and padlock receiver (301505) to lock receiver post at wall using bolts from BP082.
5. Place box track bracket (W0015) in the lower corners of the transom using 1 plate on each side of the mesh (W0021) and bolt thru the hole. (do not tighten yet) **Note:** Center of hole of box track should be 4" above nominal height of door. Ex. 7' high door; hole would be at 7'-4" AFF.
6. Place box track into 2 box track brackets and let box hang out of the to the wall.
7. Place third box track bracket at the back end of the track and bolt using 1 plate on each side of the mesh.(W0021)
8. Slide assembled door into box track.
9. Place slide door guide with legs facing mesh (301503) so that the door is centered in channel. Also, so that it does not impede opening.
10. Slide door to closed position and adjust padlock receiver so that the tab with the hole goes through the opening in door into lock receiver opening.
11. Tighten bolts for padlock receiver.
12. Slide door into position where door is completely open and attach slide door stop (301502) by bolting U-shape to out and flat to inner side of mesh.
13. Tighten any bolts that haven't been tightened yet.

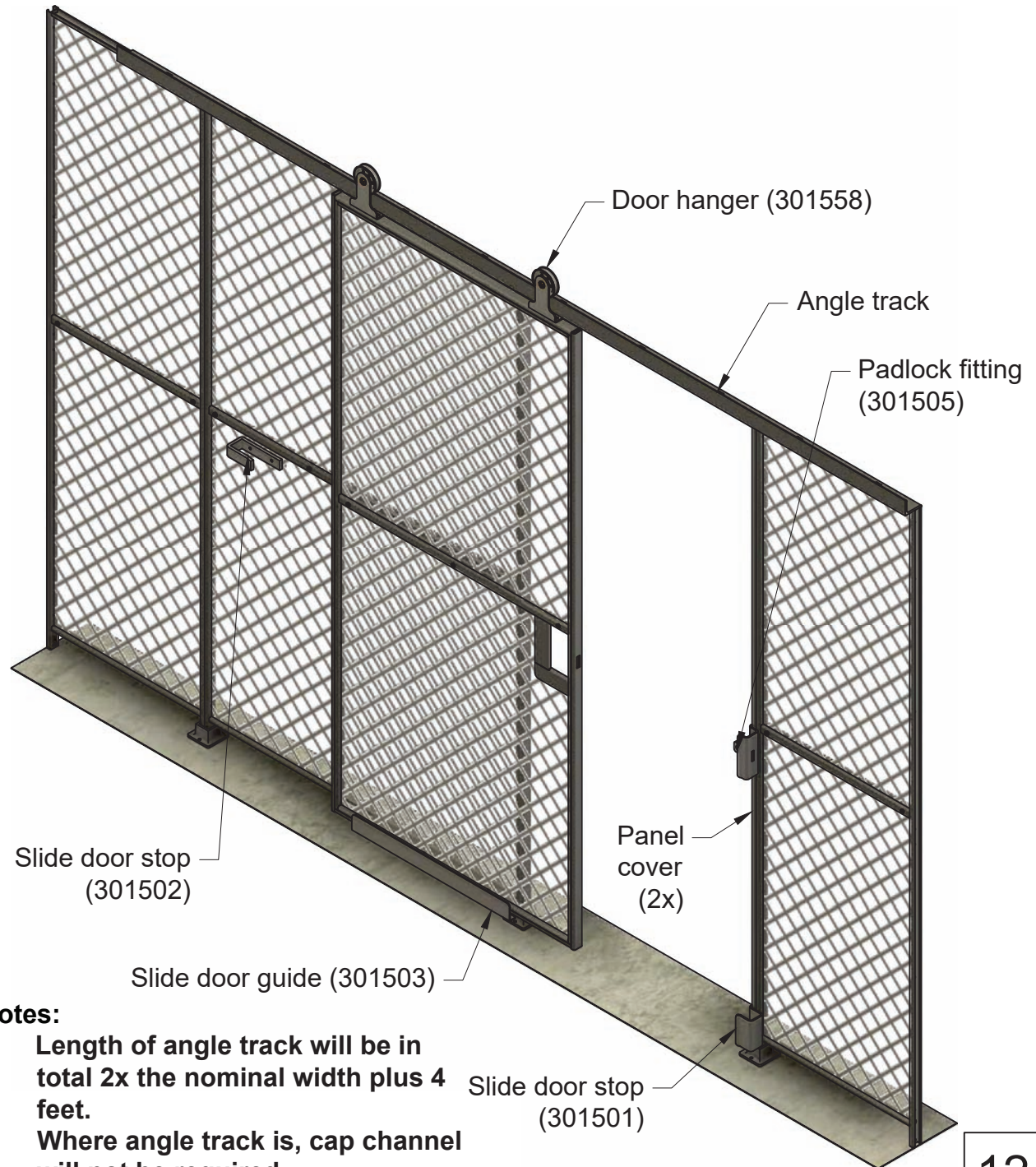
This is where a slide door closes on a hard wall.



Single slide door with angle track (full height)

To Install:

1. Insert panel cover ($\frac{5}{8}$ "x1 $\frac{1}{4}$ " box channel x door height) into floor shoes on both sides of opening & bolt using bolts from BP082.
2. Bolt padlock receiver (301505) & slide door bumper (301501) to closing side of door opening using bolts from BP083. (don't completely tighten bolts in receiver)
3. Bolt angle track to top of opening and above panels using bolts from BP083 (Note: Angle track will end 2' past closing side of door.) **2" leg of angle to be vertical and to the side of the mesh that the door is to slide.**
4. Bolt door hangers (301558) to top of door panel using bolts from BP083.
5. Hang door from angle track.
6. Place slide door guide with legs facing mesh (301503) so that the door is centered in channel. Also, so that it does not impede opening.
7. Anchor door guide to floor. (anchors not included)
8. Slide door to closed position and adjust padlock receiver so that it goes through opening in door into lock frame.
9. Tighten bolts for padlock receiver.
10. Slide door to position where door is completely open and attach slide door stop (301502) by bolting U-shape to outer and flat to inner side of mesh.



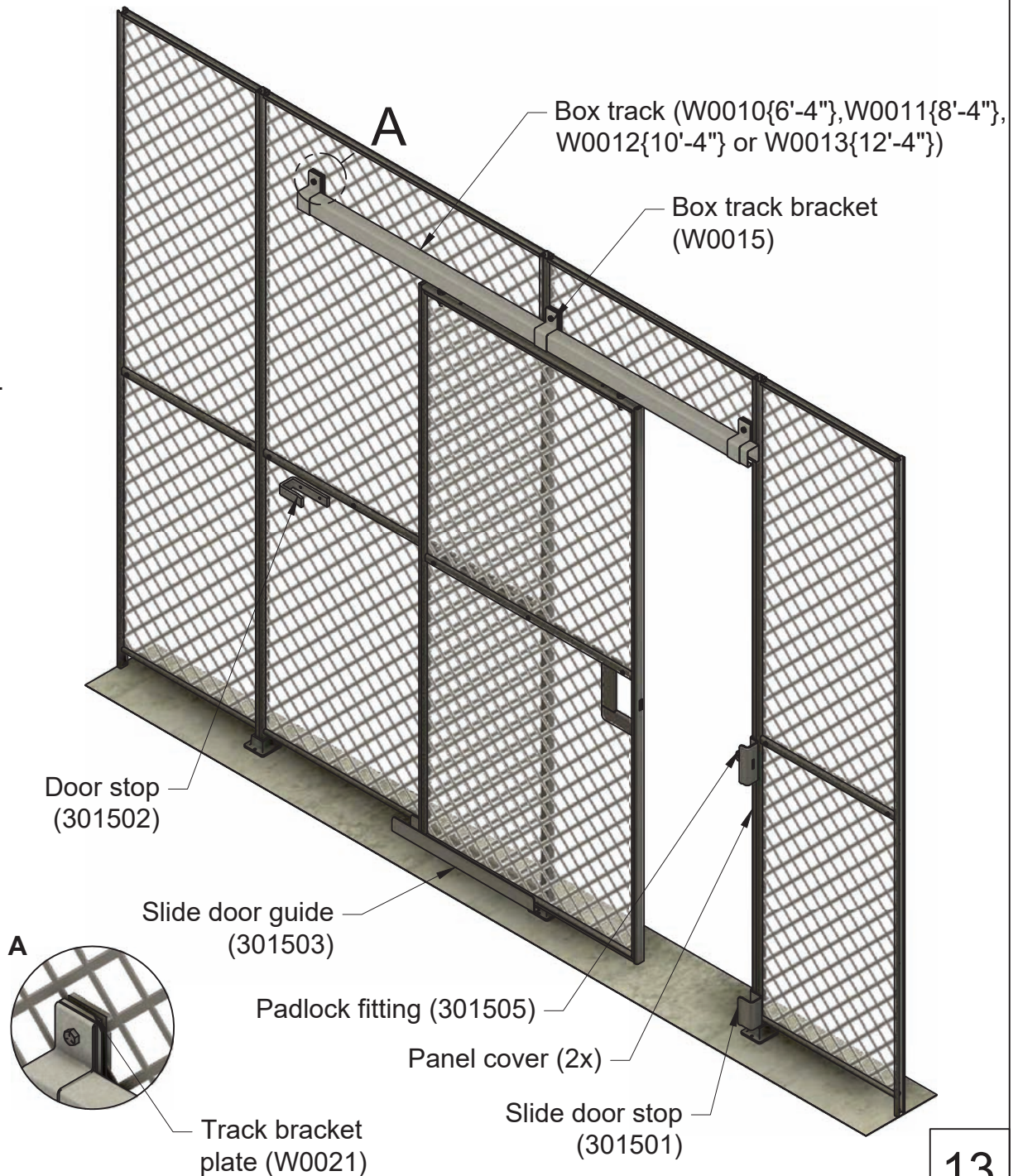
Notes:

- Length of angle track will be in total 2x the nominal width plus 4 feet.
- Where angle track is, cap channel will not be required.

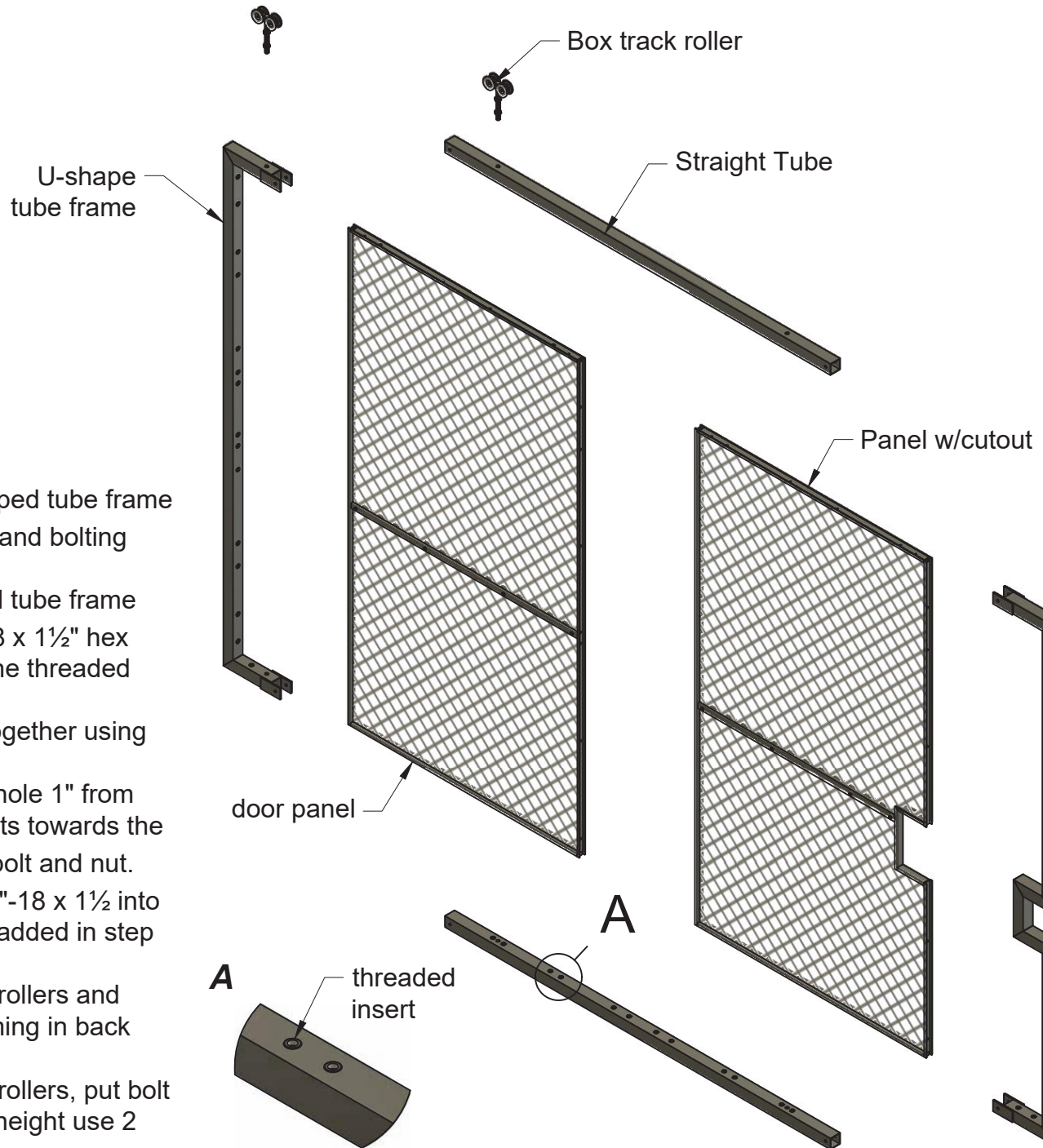
Single slide door with transom

To Install:

1. Insert panel cover ($\frac{5}{8}$ "x1 $\frac{1}{4}$ " box channel x door height) into floor shoes on both sides of opening & bolt using bolts from BP082.
2. Bolt padlock receiver (301505) & slide door bumper (301501) to closing side of door opening using bolts from BP083. (don't completely tighten bolt on receiver)
3. Place box track bracket (W0015) in the lower corners of the transom using 1 plate on each side of the mesh (W0021) and bolting through the hole. (do not tighten yet) **Note: Center of hole of box track should be 4" above nominal height of door.** *Ex. 7' high door; hole would be at 7'-4" AFF*
4. Place box track into 2 box track brackets and let box track hang out to the inside of the vertical of the panel next to the transom.
5. Place third box track bracket at the back end of the track and bolt using 1 plate on each side of the mesh. (W0021)
6. Slide assembled door into box track.
7. Place slide door guide with legs facing mesh (301503) so that the door is centered in channel. Also, so that it does not impede opening.
8. Anchor door guide to floor. (anchors not provided)
9. Slide door to closed position and adjust padlock receiver so that it goes through opening in door into lock frame.
10. Tighten bolts for padlock receiver.
11. Slide door into position where door is completely open and attach slide door stop (301502) by bolting U-shape to outer and flat to inner side of mesh.
12. Tighten any bolts that haven't been tightened yet.



Assembly of a cantilever slide door

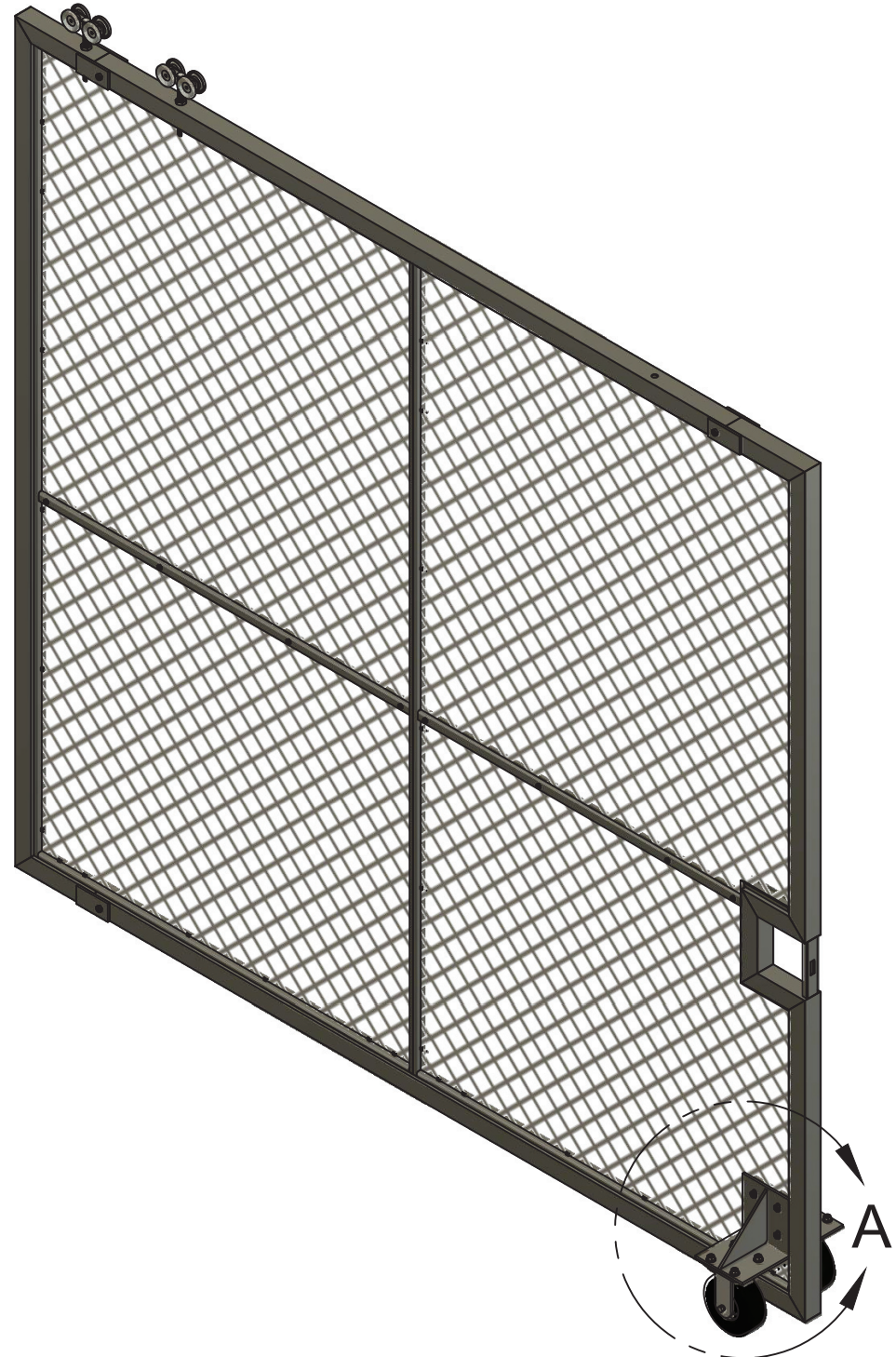
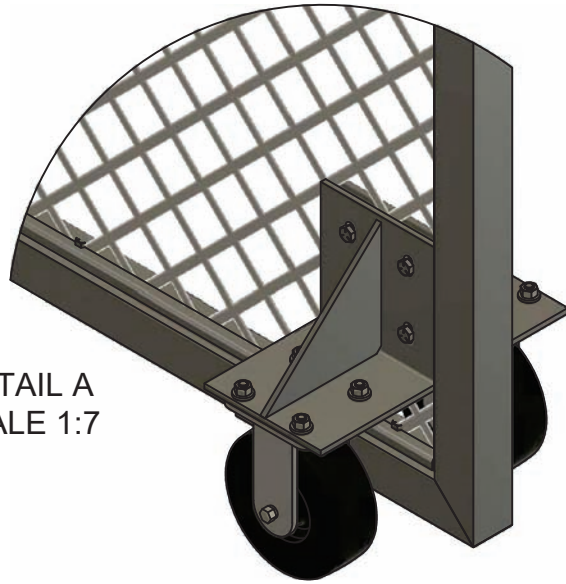


To assemble:

1. Bolt panel without cutout to U-shaped tube frame using $\frac{5}{16}$ "-18 x 1½" hex head bolts and bolting them into the threaded inserts.
2. Bolt panel with cutout to U-shaped tube frame with frame for padlock using $\frac{5}{16}$ "-18 x 1½" hex head bolts and bolting them into the threaded inserts.
3. Bolt 2 sections from steps 1 & 2 together using bolts from BP083.
4. Bolt 2 straight tubes with through hole 1" from each end, and with threaded inserts towards the panels using $\frac{3}{8}$ "-16 x 3" hex head bolt and nut.
5. Bolt thru bottom of panels using $\frac{5}{16}$ "-18 x 1½" into the threaded inserts into the tube added in step 4.
6. Remove 1 bolt from the box track rollers and insert through tube and panel framing in back end of slide door.
7. With bolt removed from box track rollers, put bolt back on shaft of roller. (To adjust height use 2 bolts on box track rollers)

Assembled cantilever slide door with caster set

DETAIL A
SCALE 1:7



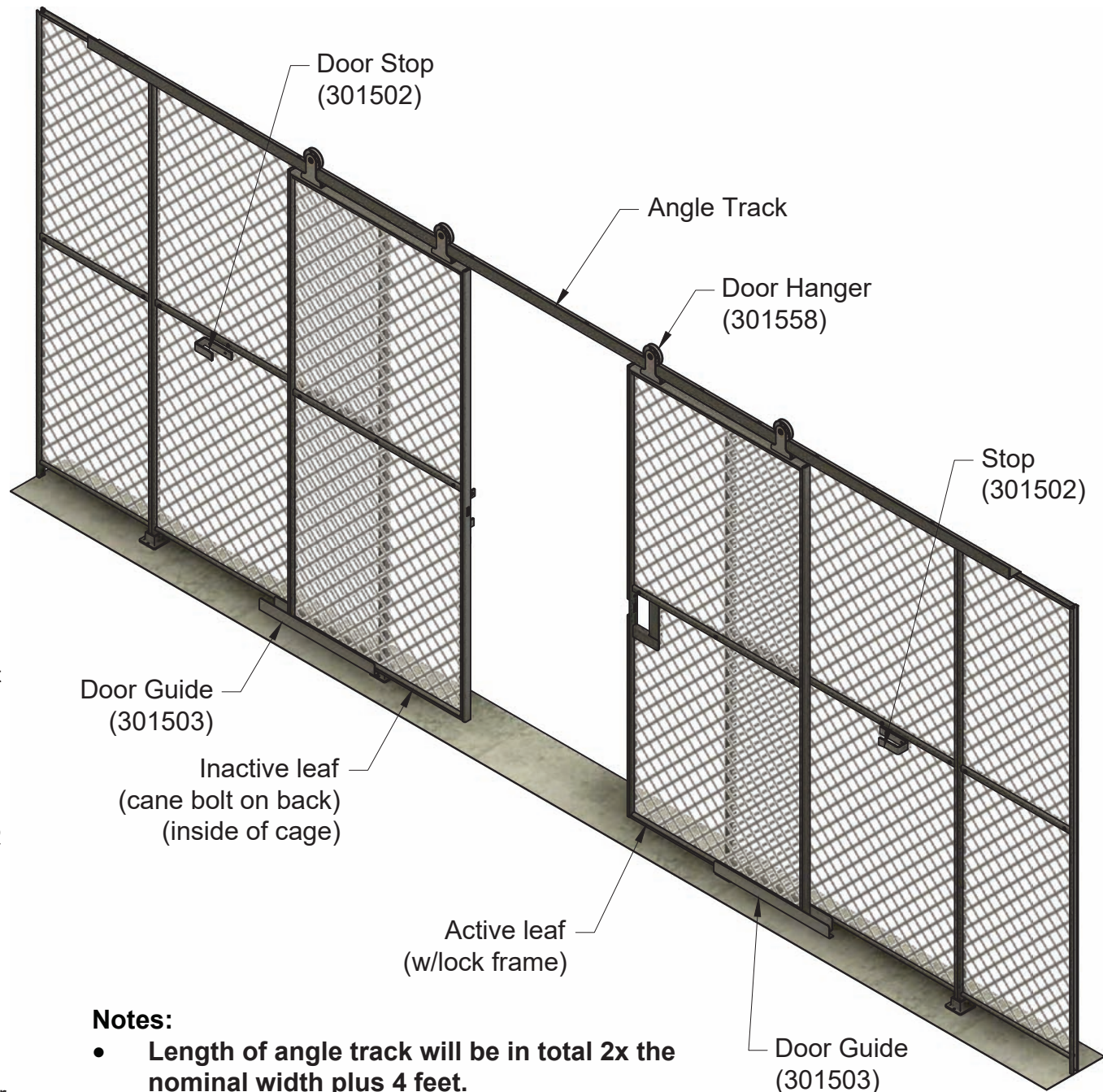
To install:

1. Insert box track rollers into box track.
2. Bolt casters to round holes in angle brackets using hardware provided. (2 times)
3. With 1 caster & angle bracket on each side of mesh bolt angle bracket together using bolts provided through slotted holes. (do not tighten yet)
4. Level door & make sure it works correctly with the padlock receiver.
5. Tighten bolts from step 3.
6. Install and anchor floor guide. (301503) {anchors not provided}

Double slide door - Full height

To Install

1. Establish nominal door width between panels. (ex. 6')
2. Install panel cover ($\frac{5}{8}$ "x1 $\frac{1}{4}$ " box channel x door height) into floor shoes on both sides of opening & bolt using bolts from BP082.
3. Bolt 1 piece of the angle track above opening so that 2 ft. overhang opening on each side. Do this using bolts from BP083. **2" leg of angle will be vertical and on the side of the mesh that the door is to slide.**
4. With remaining piece of angle track cut in half and place at each end of angle installed in step 3.
5. Bolt door hangers (301558) to top of door panels using bolts from BP083.
6. Hang active door leaf (w/ lock frame) to right side. (looking at opening from outside of cage.)
7. Hang inactive door leaf (w/cane bolt) to left side. (looking at opening from outside of cage.)
8. Place slide door guide with legs facing mesh (301503) so that the door door is centered in channel. Also, sot that it does not impede opening. **(Door guides will go on both sides of the opening)**
9. Anchor door guides to floor. (anchors not provided)
10. Slide door into closed position, and mark cane bolt hole location on floor.
11. Slide doors open & drill floor for acceptance of cane bolt.
12. Slide doors open enough so they are clear of the opening and attach stops (301502) by bolting U-shape to outer and flat to inner side of mesh.
13. Tighten all bolts.



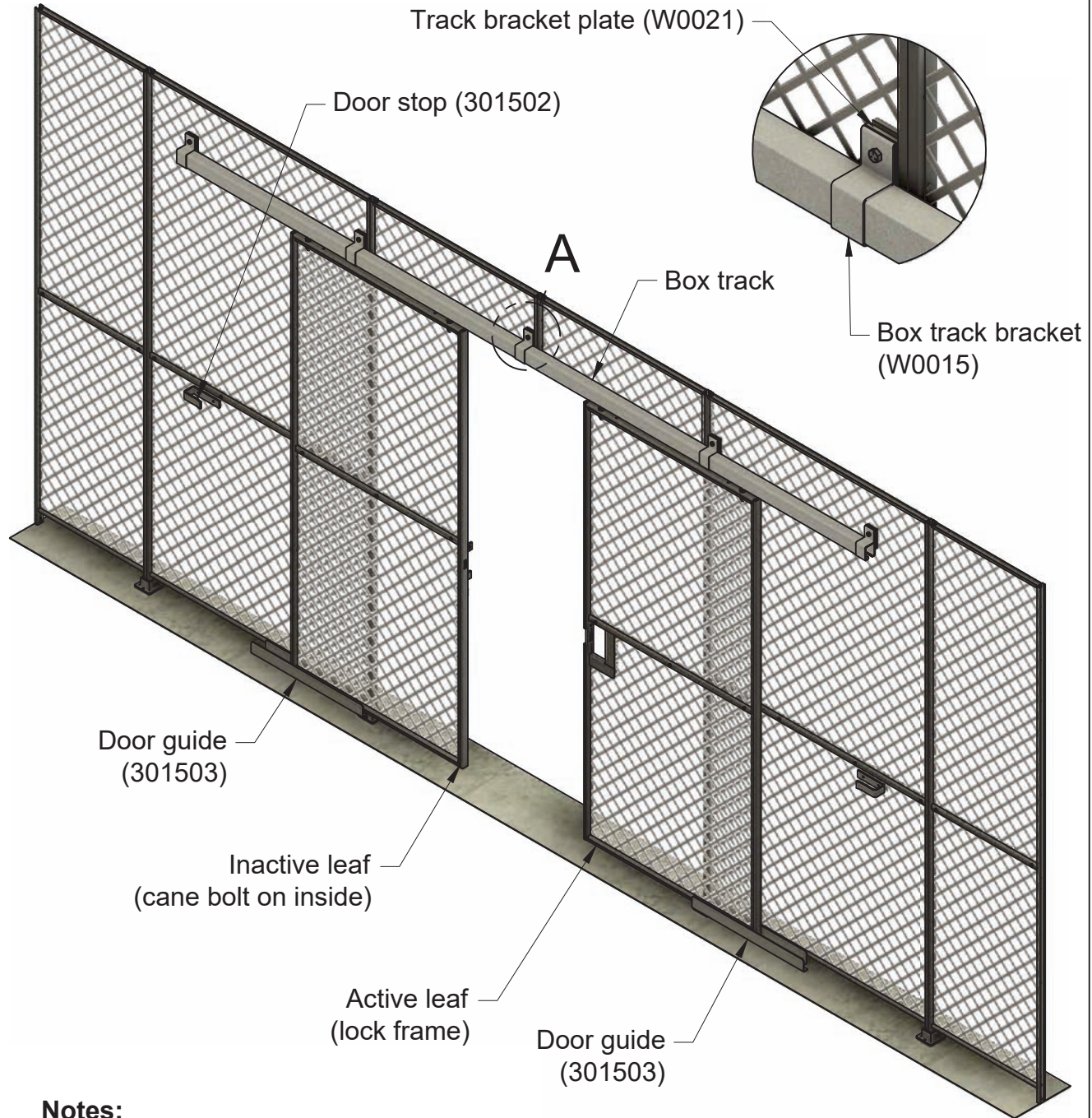
Notes:

- Length of angle track will be in total 2x the nominal width plus 4 feet.
- Where angle track is, cap channel will not be required

Double slide door with transom

To Install:

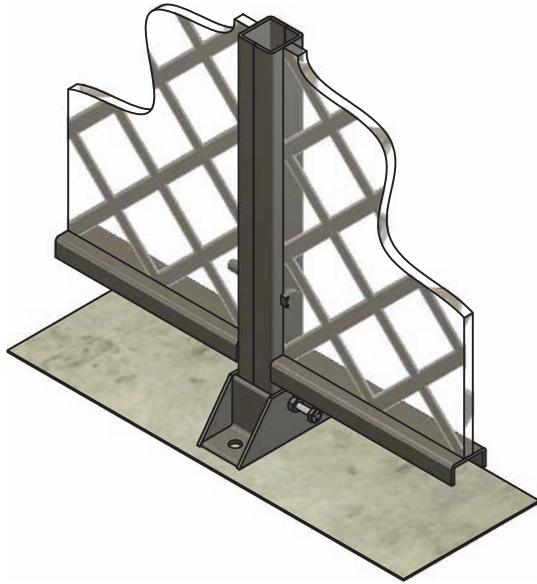
1. Install transom panel at top of opening.
2. Install panel cover ($\frac{5}{8}$ "x1 $\frac{1}{4}$ " box channel x door height) into floor shoes on both sides of opening & bolt using bolts from BP082.
3. Place box track bracket (W0015) in 1 of the lower corners of the vertical center rails in the transom using 1 plate on each side of the mesh (W0021) and bolt through the hole. (do not tighten yet) **Note: center of hole of box track should be 4" above the nominal height of the door. Ex. 7' high door; hole would be at 7'-4" AFF**
4. Slide box track into centered box track and center, so that equal amounts of box track overhang nominal door width on each side.
5. Install box track bracket (W0015) on each end with the end of the box track being centered in the bracket, and installing the W0021 to secure.
6. Cut remaining piece of box track in half.
7. In each end of the installed box track, insert into box track bracket. (W0015) and secure using W0021.
8. Install 2 box track rollers on each slide door panel.
9. Slide assembled door into box track. (Active {lock frame} on right, inactive {cane bolt} on left)
10. Place slide door guides with legs facing mesh (301503) so that the door is centered in channel. Also so that it does not impede opening.
11. Anchor door guides to floor. (Anchors not provided)
12. Slide doors into closed position, and mark cane bolt hole location on floor.
13. Slide doors open & drill floor for acceptance of cane bolt. (cane bolt to face inside of cage)
14. Slide doors open enough so they are clear of the opening and attach stops (301502) by bolting U-shape to outer and flat to inner side of mesh.
15. Tighten all bolts.



Notes:

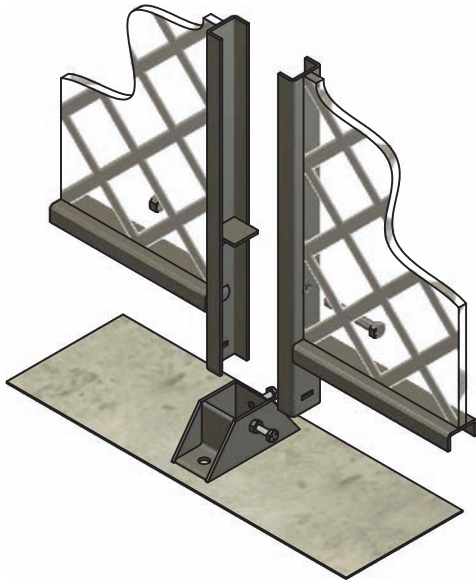
- There will be 1 track bracket plate pkg (W0021) for every box track bracket. (W0015)

Floor Shoe (2" Diamond - 6ga. mesh)



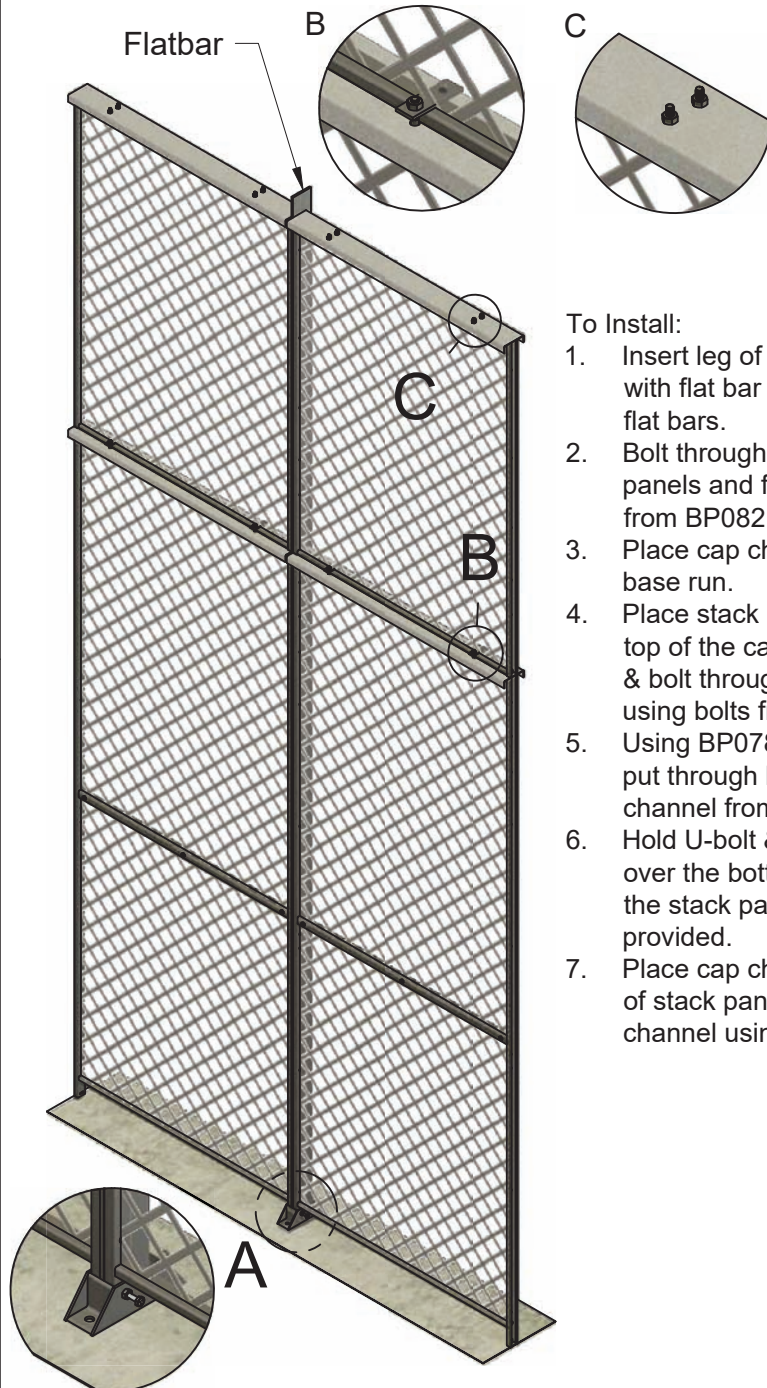
These are located where 2 panels come together.

Panel connection with tabs (2" Diamond - 6ga. mesh)



These are where 2 panels come together. (to keep channels from collapsing on each other)

Stack panels with flat bar stiffener

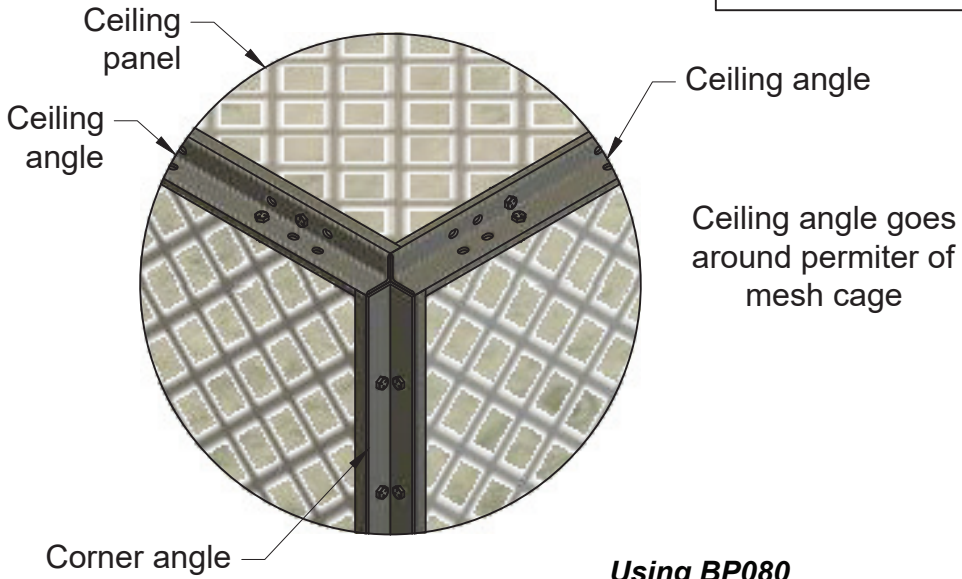


To Install:

1. Insert leg of base panels along with flat bar into floor shoe for flat bars.
2. Bolt through uprights of base panels and flat bar using bolts from BP082.
3. Place cap channel on top of base run.
4. Place stack panel (no legs) on top of the cap channel in step 3 & bolt through vertical channels using bolts from BP082.
5. Using BP078 take U-bolt and put through holes of cap channel from underneath.
6. Hold U-bolt & place tie plate over the bottom horizontal of the stack panel and attach nut provided.
7. Place cap channel on very top of stack panels and attach cap channel using BP087.

Mesh Ceiling Instructions

Ceiling angle

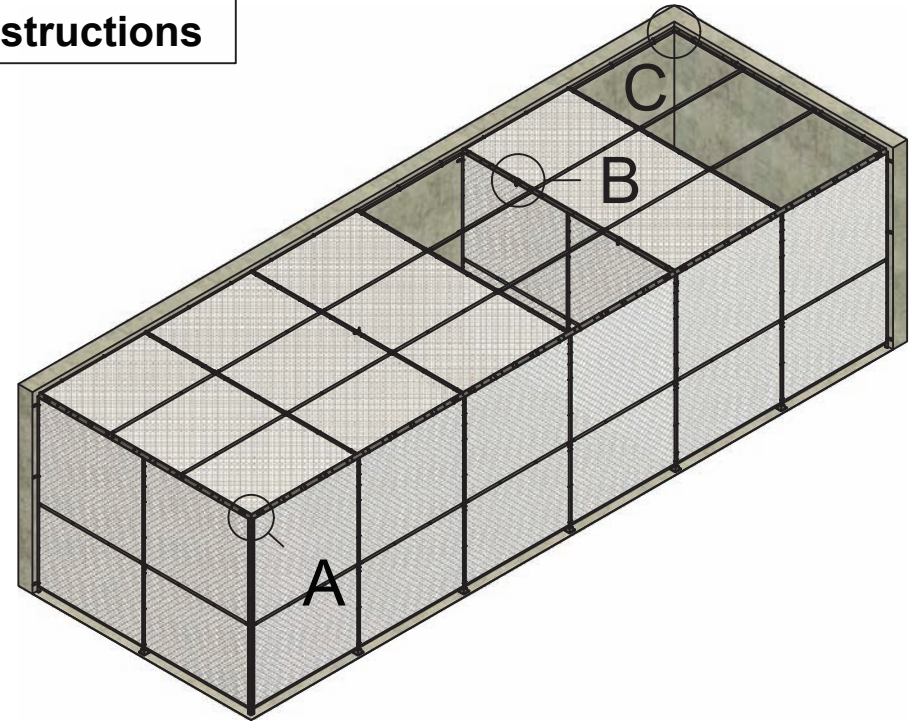


Ceiling angle goes around perimeter of mesh cage

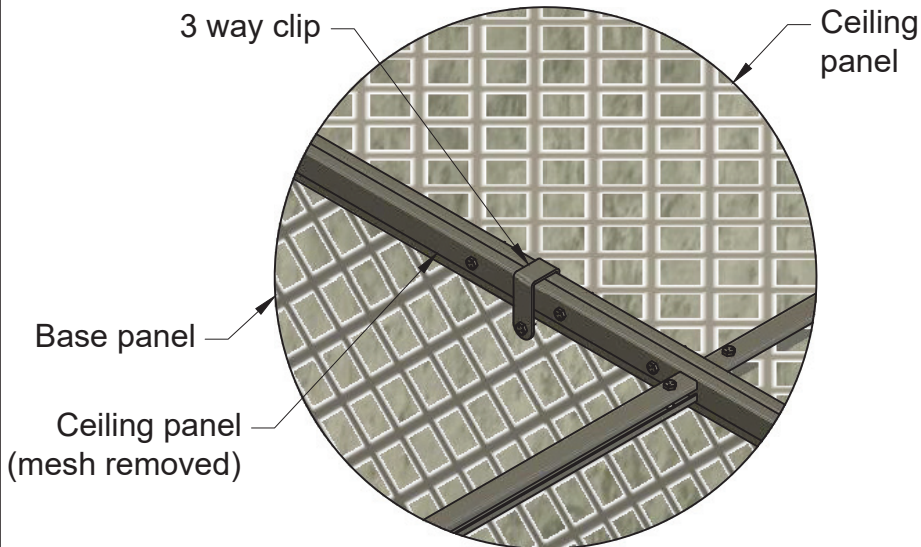
Using BP080

- Bolt ceiling angle to top of base panels
- Bolt ceiling panel to ceiling angles.

A



3 way connection on a ceiling

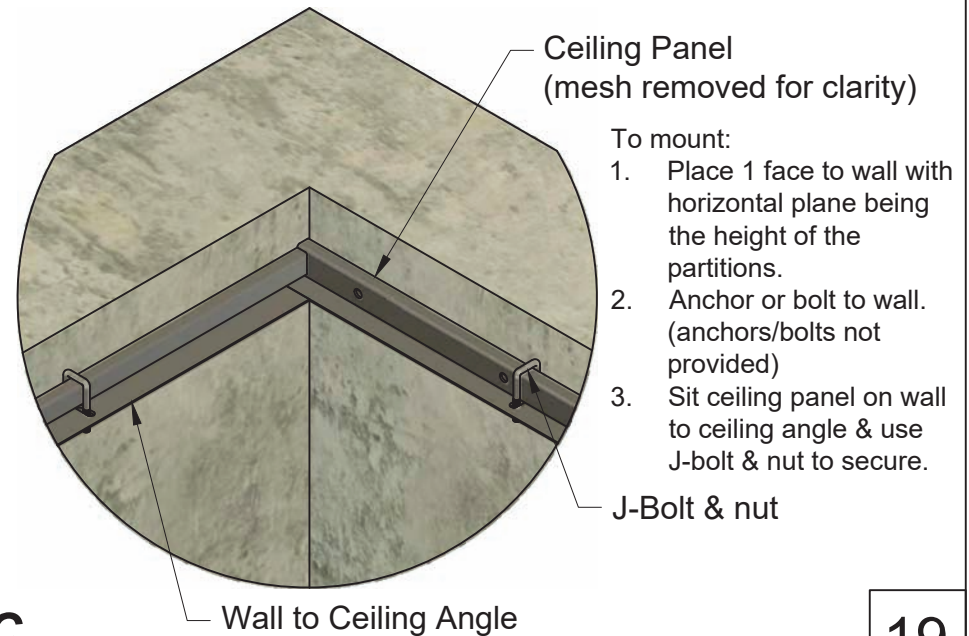


Using 1/3 of a 3 way kit

- Use 1 clip, bolt and nut to attach where 2 ceiling panels meet over a the center of a vertical panel.

B

Wall to ceiling angle

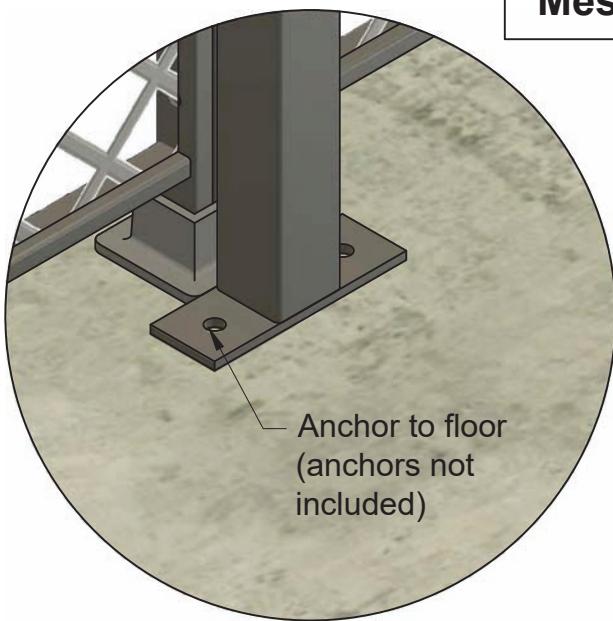


To mount:

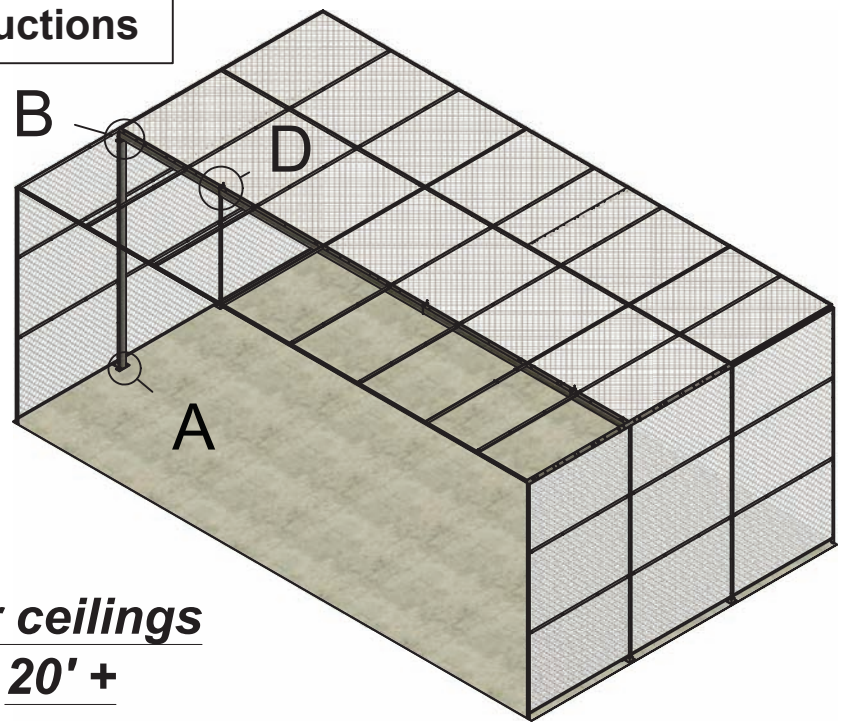
1. Place 1 face to wall with horizontal plane being the height of the partitions.
2. Anchor or bolt to wall. (anchors/bolts not provided)
3. Sit ceiling panel on wall to ceiling angle & use J-bolt & nut to secure.

C

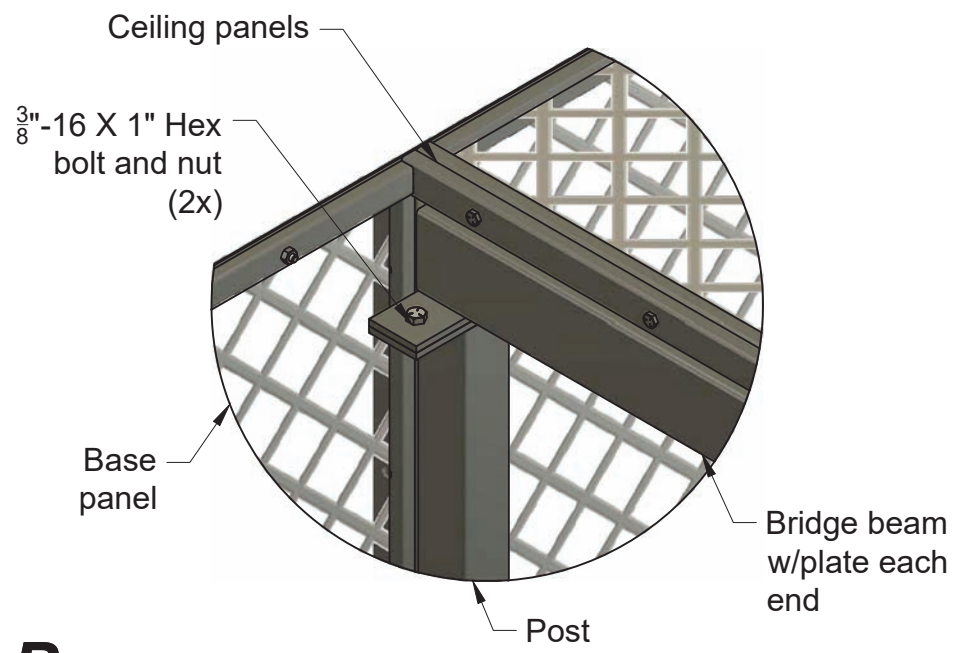
Mesh Ceiling Instructions



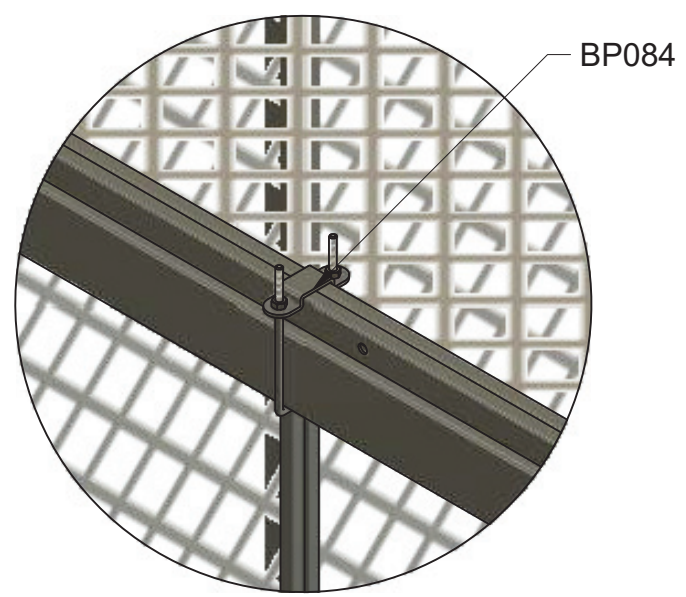
A Bridge beam post at floor



*For ceilings
20' +*



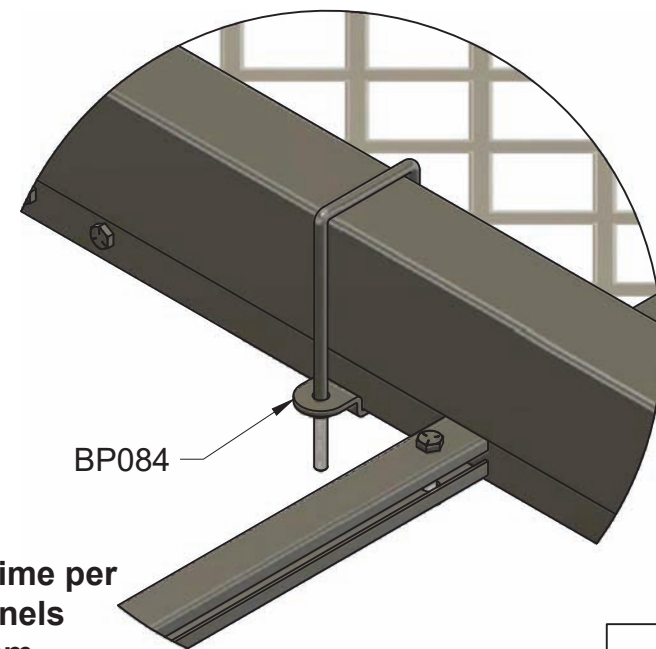
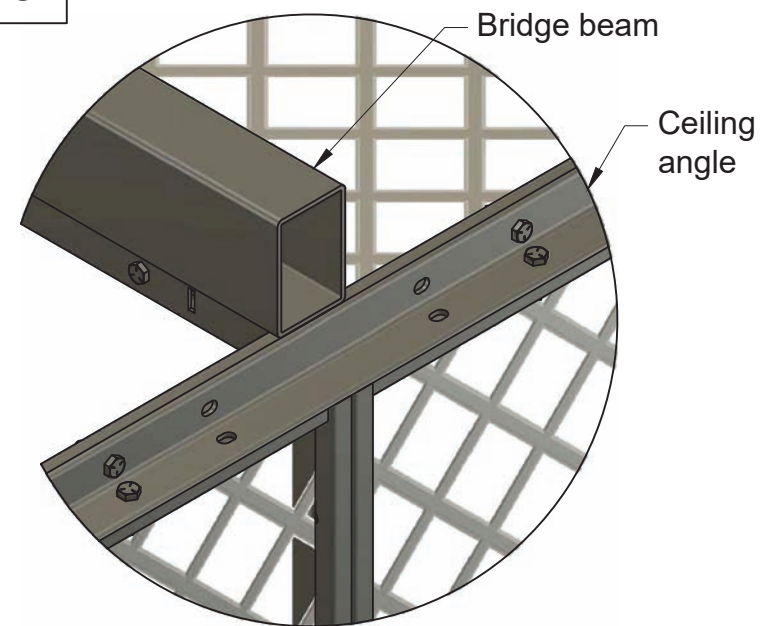
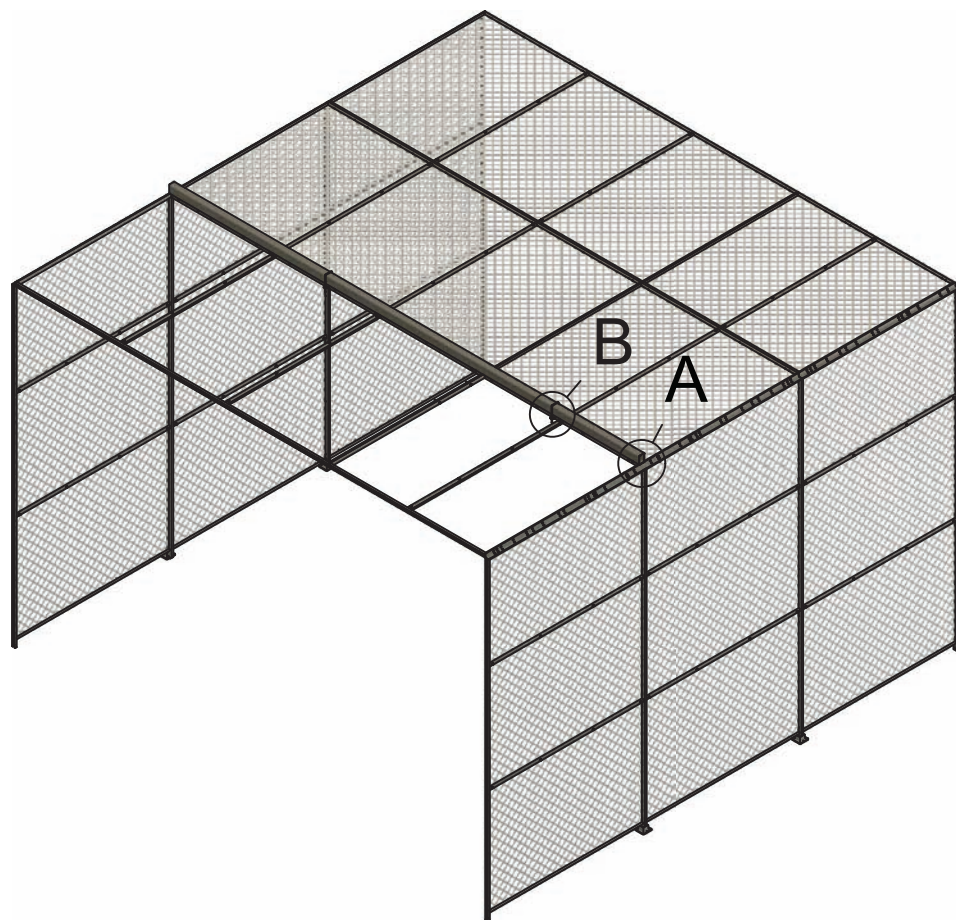
B Bridge beam attachment to bridge beam post



D This happens 1 time per pair of ceiling panels above bridge beam

Mesh Ceiling Instructions

For ceilings 20' & under



This happens 1 time per pair of ceiling panels under bridge beam