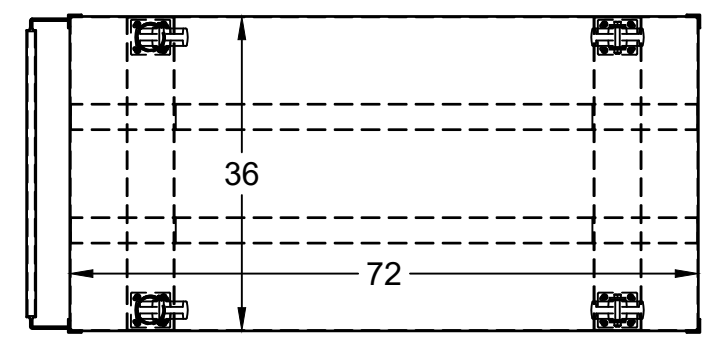
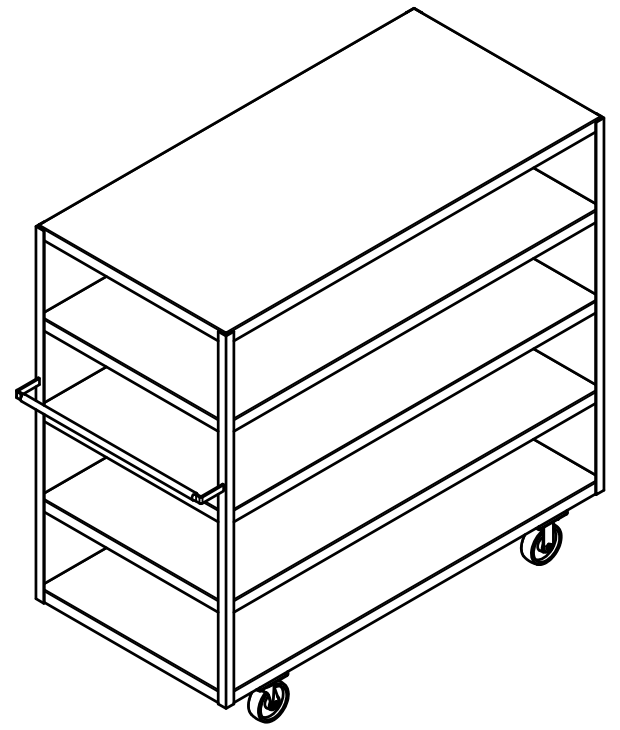
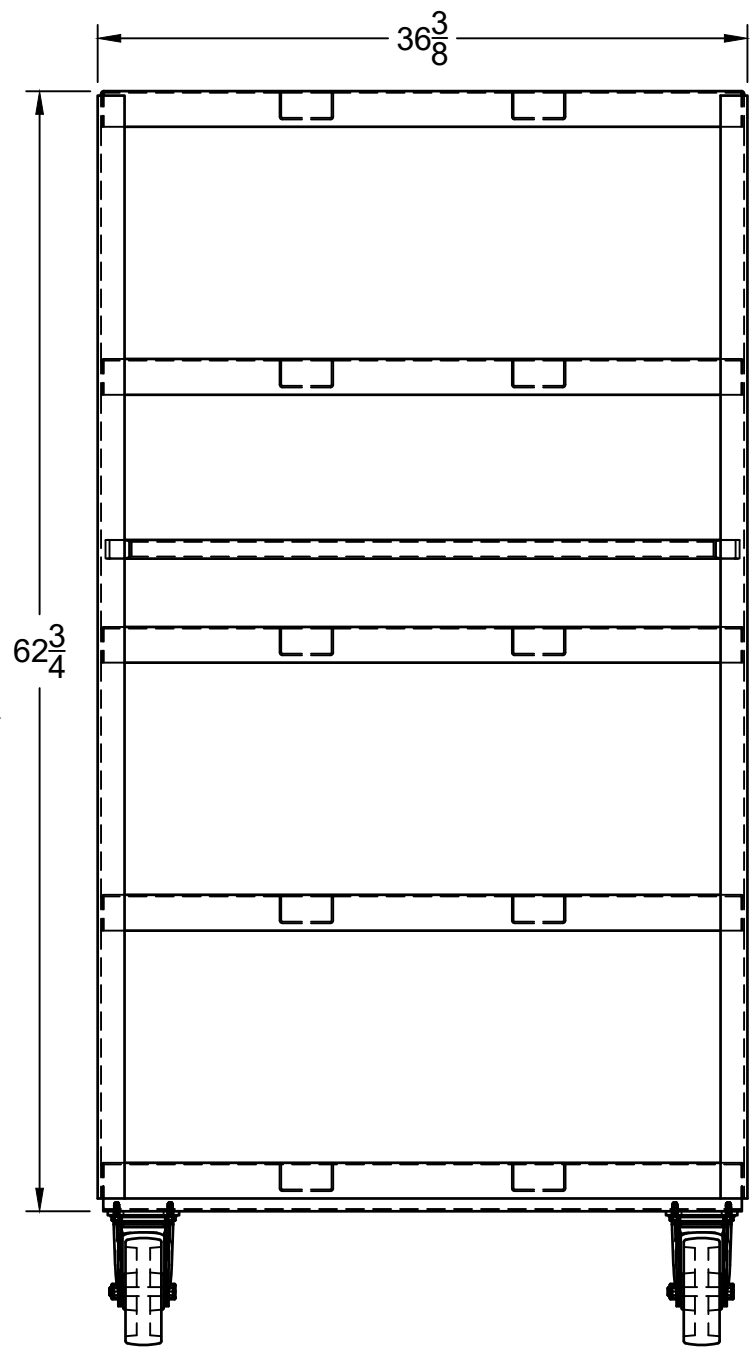



6x2 PH casters
2 swivel & 2 rigid



FIRST PART APPROVAL REQUIRED
APPROVED BY _____
DATE _____

	PROJECT			REV
	Shelf truck			
APPROVED _____	TITLE			REV
	Shelf truck - 2,000# capacity 72"L x 36"W x 70 1/4"H (5 shelves) w/6x2 phenolic casters			
CHECKED _____	SIZE	DUTY	DWG NO	REV
	B	Heavy	13608C	
DRAWN Jesse Pifer	2/5/2024	SCALE 1:10.75	WEIGHT 490 lbs	SHEET 1/1