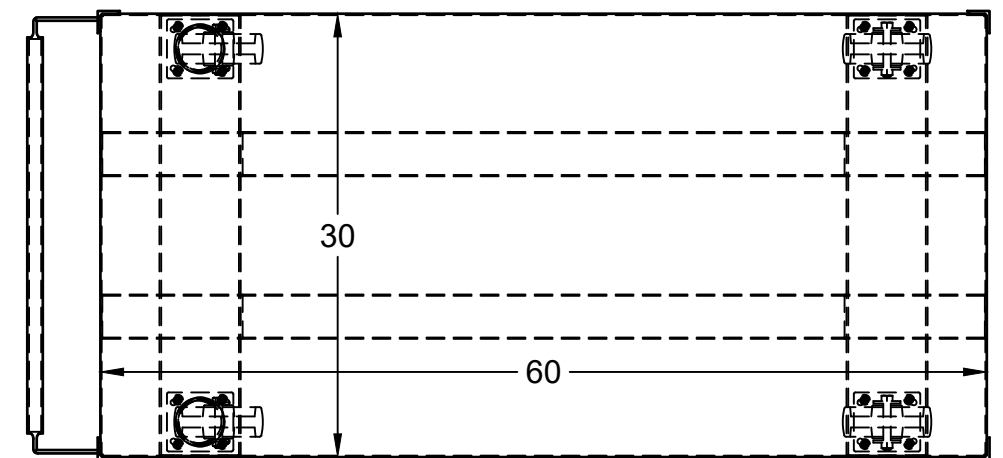
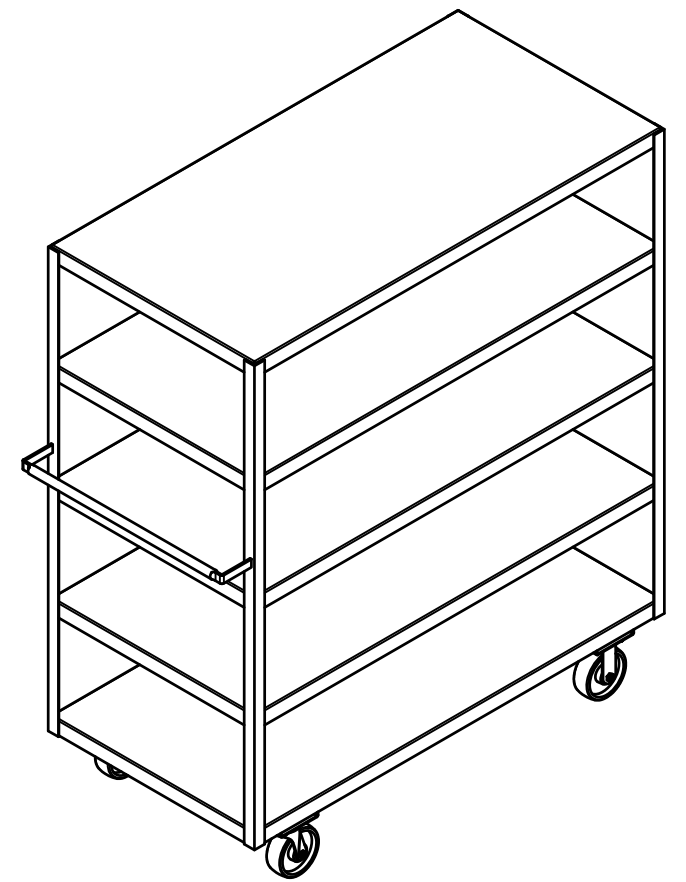
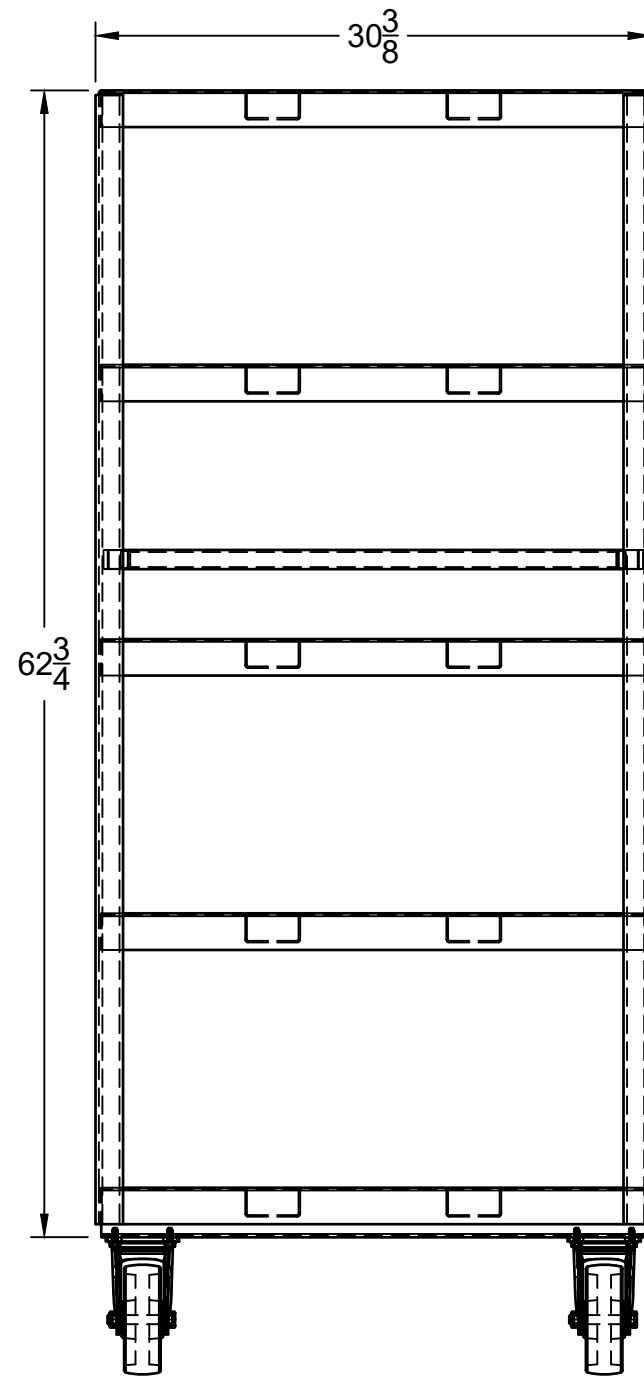


6x2 PH casters
2 swivel & 2 rigid



**FIRST PART
APPROVAL REQUIRED**

APPROVED BY _____
DATE _____



PROJECT

Shelf truck

TITLE

**Shelf truck - 2,000# capacity
60"L x 30"W x 70 1/4"H (5 shelves)**
w/6x2 phenolic casters

APPROVED	SIZE	DUTY	DWG NO	REV
CHECKED	B	Heavy	13604C	
DRAWN Jesse Pifer 2/5/2024	SCALE 1:10.5	WEIGHT 375 lbs	SHEET 1/1	