

JESCOGARD LIFT-OUT RAILS INSTALLATION INSTRUCTIONS

		REVISIONS		DATE	APPROVED
ZONE	REV.	DESCRIPTION			

NOTE:
 GUARD RAILS ARE DESIGNED FOR INSTALLATION ON LEVEL CONCRETE FLOOR ONLY.
 IF FLOOR IS NOT LEVEL SHIMS WILL BE REQUIRED.

STEP 1:
 LAYOUT AREA IN WHICH GUARD RAILS ARE TO BE INSTALLED.
 PLACE GUARD RAILS 12" AWAY FROM ANY FIXED OBJECT.

STEP 2:
 PLACE POSTS AT APPROXIMATE LOCATION.
 (DO NOT LAG - SEE STEP 5)

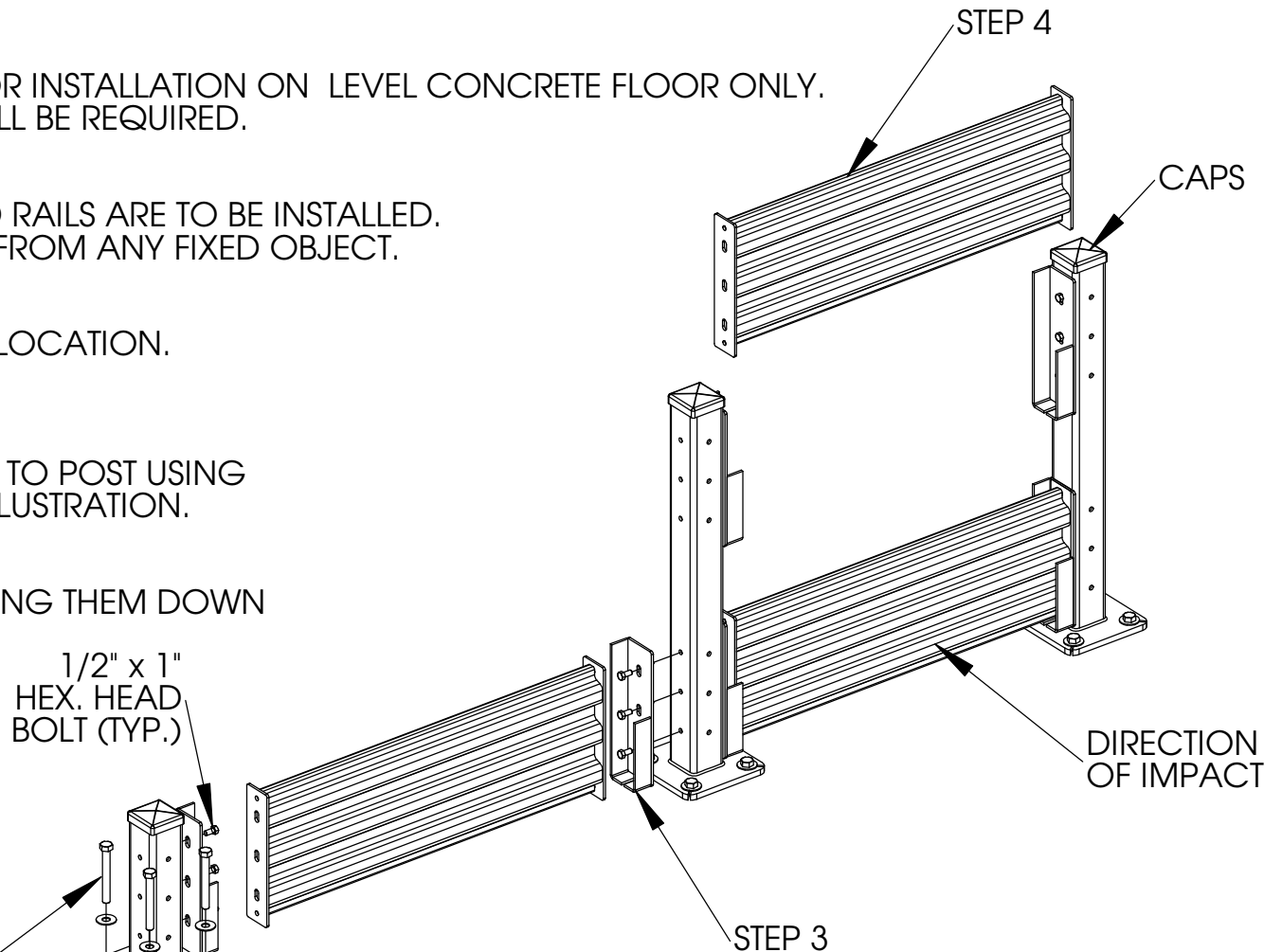
STEP 3:
 INSTALL RAIL RECEIVER BRACKET TO POST USING
 1/2" x 1" HEX. HEAD BOLTS PER ILLUSTRATION.

STEP 4:
 INSTALL RAIL SECTIONS BY PLACING THEM DOWN
 INTO THE RAIL RECEIVER
 BRACKET PER ILLUSTRATION.

STEP 5:
 ALIGN AND PLUMB (SHIM IF
 REQUIRED). DRILL FLOOR
 THROUGH PLATE AND INSTALL
 (4) FOUR EACH 3/4" ANCHORS
 (FURNISHED) AT EACH POST.

1/2" x 1"
 HEX. HEAD
 BOLT (TYP.)

3/4" FLOOR ANCHORS
 (FURNISHED)



PROPRIETARY AND CONFIDENTIAL
 THE INFORMATION CONTAINED IN THIS
 DRAWING IS THE SOLE PROPERTY OF
 JESCO INDUSTRIES. ANY REPRODUCTION
 IN PART OR AS A WHOLE WITHOUT THE
 WRITTEN PERMISSION OF JESCO
 INDUSTRIES IS PROHIBITED.

		DIMENSIONS ARE IN INCHES		NAME	DATE	JESCO INDUSTRIES
		TOLERANCES:		DRAWN	3/26/03	
		FRACTIONAL ±		CHECKED		INSTALLATION INSTRUCTIONS FOR JESCOGARD LIFT-OUT GUARD RAILS
		ANGULAR: MACH ± BEND ±		ENG APPR.		
		TWO PLACE DECIMAL ±		MFG APPR.		
		THREE PLACE DECIMAL ±		Q.A.		
		MATERIAL --		COMMENTS:		SIZE
NEXT ASSY	USED ON	FINISH --				A
APPLICATION		DO NOT SCALE DRAWING				DWG. NO.
						LIFT-OUT INSTRUCTIONS
						REV.
						SCALE: 1:18
						WEIGHT: LBS.
						SHEET 1 OF 1