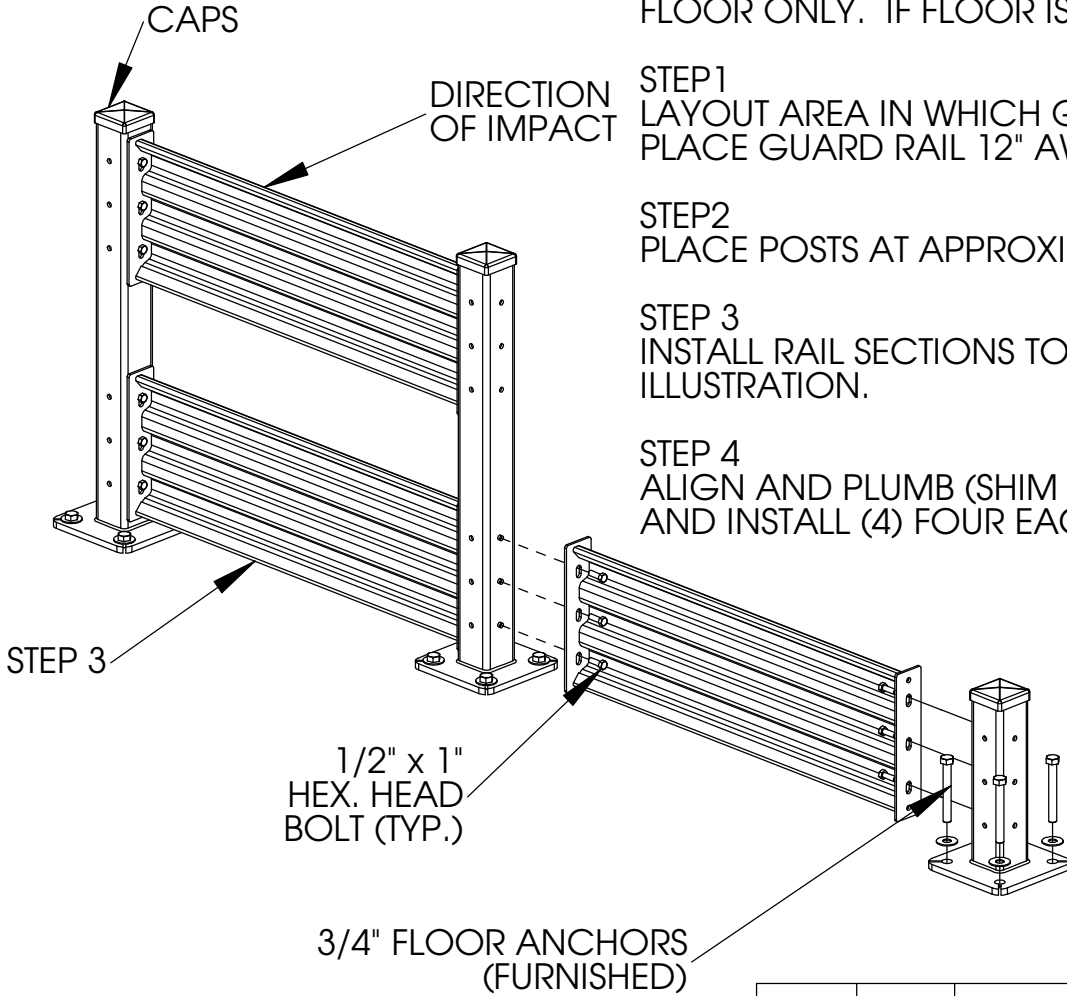


JESCOGARD BOLT-IN RAILS INSTALLATION INSTRUCTIONS

		REVISIONS		
ZONE	REV.	DESCRIPTION	DATE	APPROVED

NOTE:
 GUARD RAILS ARE DESIGNED FOR INSTALLATION ON LEVEL CONCRETE FLOOR ONLY. IF FLOOR IS NOT LEVEL SHIMS WILL BE REQUIRED.



STEP 1
 LAYOUT AREA IN WHICH GUARD RAILS ARE TO BE INSTALLED. PLACE GUARD RAIL 12" AWAY FROM ANY FIXED OBJECT.

STEP 2
 PLACE POSTS AT APPROXIMATE LOCATION. (DO NOT LAG - SEE STEP 4)

STEP 3
 INSTALL RAIL SECTIONS TO POSTS USING 1/2" x 1" HEX. HEAD BOLTS PER ILLUSTRATION.

STEP 4
 ALIGN AND PLUMB (SHIM IF REQUIRED). DRILL FLOOR THROUGH PLATE AND INSTALL (4) FOUR EACH 3/4" ANCHORS (FURNISHED) AT EACH POST.

PROPRIETARY AND CONFIDENTIAL
 THE INFORMATION CONTAINED IN THIS DRAWING IS THE SOLE PROPERTY OF JESCO INDUSTRIES. ANY REPRODUCTION IN PART OR AS A WHOLE WITHOUT THE WRITTEN PERMISSION OF JESCO INDUSTRIES IS PROHIBITED.

		DIMENSIONS ARE IN INCHES		NAME		DATE		JESCO INDUSTRIES	
		TOLERANCES:		SJ		3/27/03			
		FRACTIONAL ±		CHECKED				INSTALLATION INSTRUCTIONS FOR JESCOGARD BOLT-IN GUARD RAILS	
		ANGULAR: MACH ± BEND ±		ENG APPR.					
		TWO PLACE DECIMAL ±		MFG APPR.					
		THREE PLACE DECIMAL ±		Q.A.					
		MATERIAL --		COMMENTS:					
NEXT ASSY		USED ON							
APPLICATION		DO NOT SCALE DRAWING		SIZE A		DWG. NO. BOLT-IN INSTRUCTIONS		REV.	
				SCALE: 1:18		WEIGHT: LBS.		SHEET 1 OF 1	