

JESCOGARD WELDED RAILING INSTALLATION INSTRUCTIONS

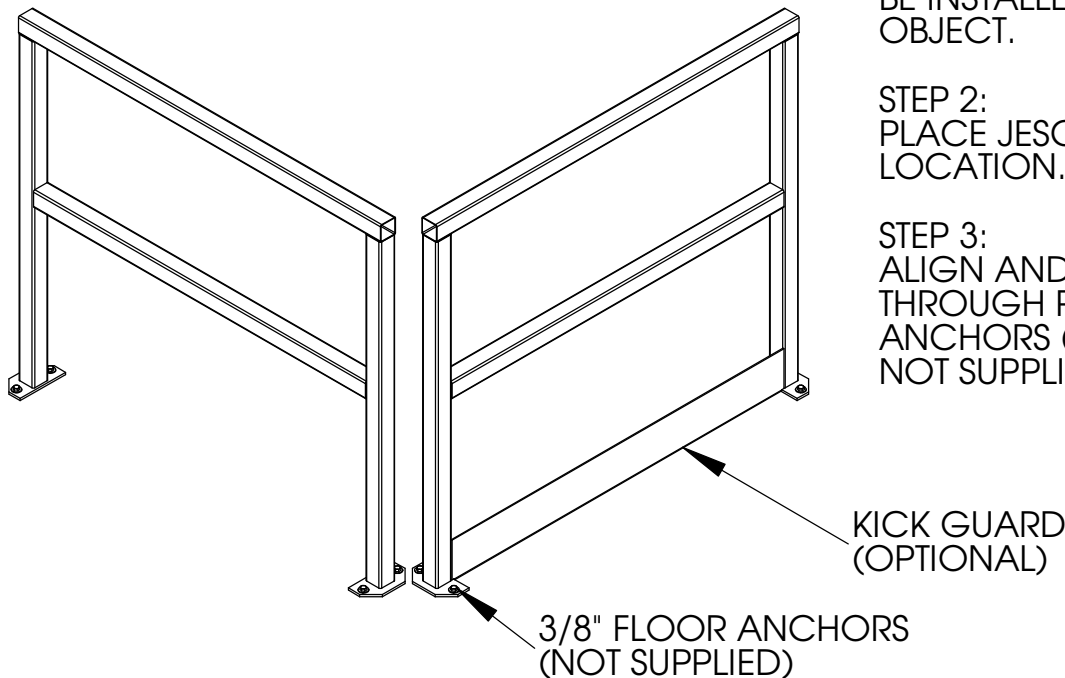
		REVISIONS			
ZONE	REV.	DESCRIPTION		DATE	APPROVED

NOTE:
 JESCOGARD WELDED RAILING IS DESIGNED FOR INSTALLATION ON LEVEL CONCRETE FLOOR ONLY. IF FLOOR IS NOT LEVEL SHIMS WILL BE REQUIRED.

STEP 1:
 LAYOUT AREA IN WHICH JESCOGARD WELDED RAILING IS TO BE INSTALLED. PLACE WELDED RAILING 12" FROM ANY FIXED OBJECT.

STEP 2:
 PLACE JESCOGARD WELDED RAILING AT APPROXIMATE LOCATION. (DO NOT LAG - SEE STEP 3)

STEP 3:
 ALIGN AND PLUMB (SHIM IF REQUIRED). DRILL FLOOR THROUGH PLATE AND INSTALL (2) TWO EACH 3/8" FLOOR ANCHORS (LENGTH DETERMINED BY FLOOR THICKNESS - NOT SUPPLIED) AT EACH POST.



PROPRIETARY AND CONFIDENTIAL
 THE INFORMATION CONTAINED IN THIS DRAWING IS THE SOLE PROPERTY OF JESCO INDUSTRIES. ANY REPRODUCTION IN PART OR AS A WHOLE WITHOUT THE WRITTEN PERMISSION OF JESCO INDUSTRIES IS PROHIBITED.

		DIMENSIONS ARE IN INCHES		NAME		DATE		JESCO INDUSTRIES	
		TOLERANCES:		DRAWN		3/27/03			
		FRACTIONAL ±		CHECKED				INSTALLATION INSTRUCTIONS FOR JESCOGARD WELDED RAILING	
		ANGULAR: MACH ± BEND ±		ENG APPR.					
		TWO PLACE DECIMAL ±		MFG APPR.					
		THREE PLACE DECIMAL ±		Q.A.					
		MATERIAL --		COMMENTS:				SIZE A DWG. NO. WELDRAIL-INSTRUCTIONS REV.	
NEXT ASSY USED ON		FINISH --						SCALE: 1:3 WEIGHT: LBS. SHEET 1 OF 1	
APPLICATION		DO NOT SCALE DRAWING							