

Since 1932

LIFT-OUT RAILS INSTALLATION INSTRUCTIONS

NOTE:

GUARD RAILS ARE DESIGNED FOR INSTALLATION ON LEVEL CONCRETE FLOOR ONLY. IF FLOOR IS NOT LEVEL SHIMS WILL BE REQUIRED.

STEP 1:

LAYOUT AREA IN WHICH GUARD RAILS ARE TO BE INSTALLED. PLACE GUARD RAILS 12" AWAY FROM ANY FIXED OBJECT.

STEP 2:

PLACE POSTS AT APPROXIMATE LOCATION. (DO NOT LAG - SEE STEP 5)

STEP 3:

INSTALL RAIL RECEIVER BRACKET TO POST USING 1/2" x 1" HEX. HEAD BOLTS PER ILLUSTRATION.

STEP 4:

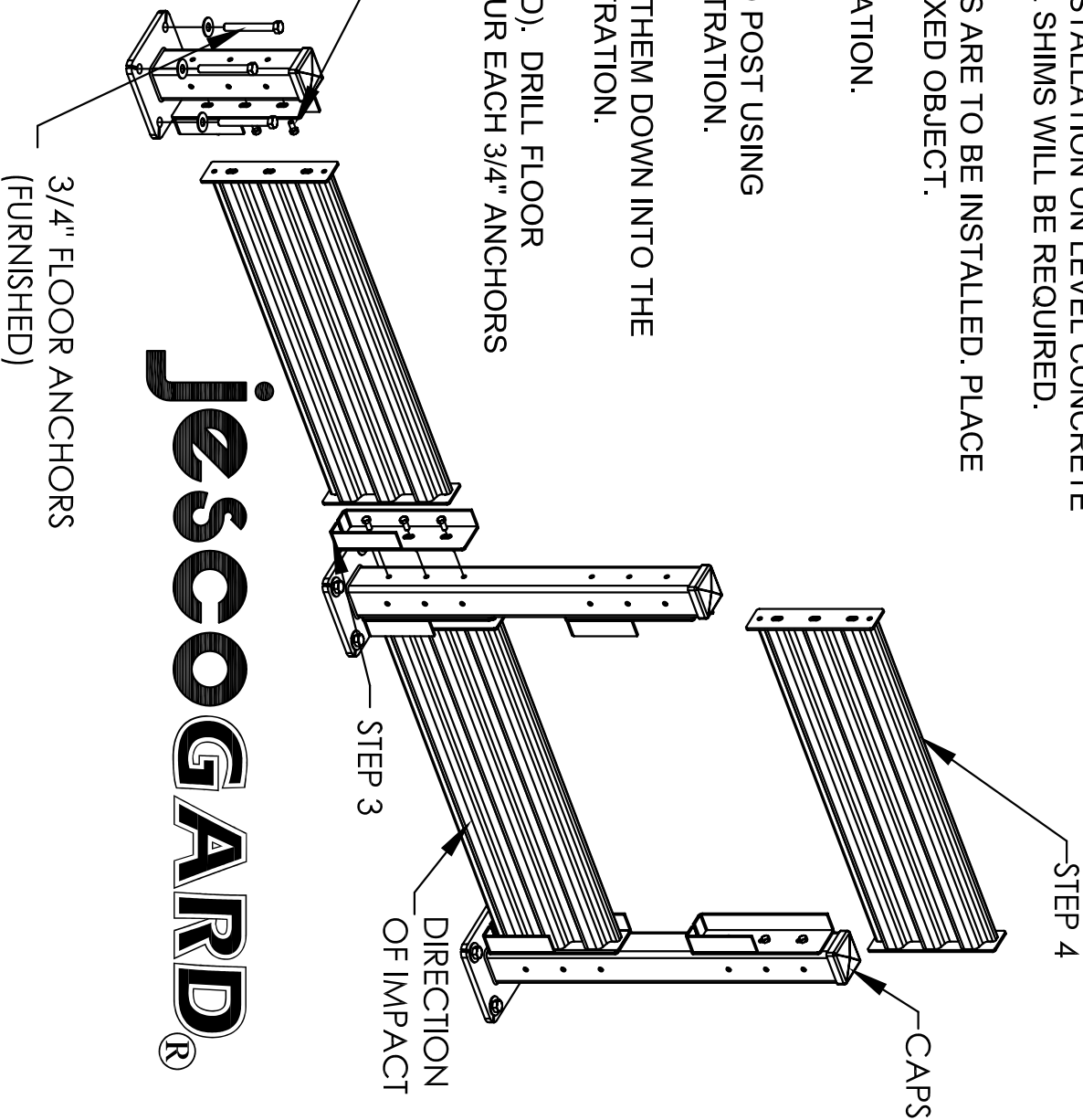
INSTALL RAIL SECTIONS BY PLACING THEM DOWN INTO THE RAIL RECEIVER BRACKET PER ILLUSTRATION.

STEP 5:

ALIGN AND PLUMB (SHIM IF REQUIRED). DRILL FLOOR THROUGH PLATE AND INSTALL (4) FOUR EACH 3/4" ANCHORS (FURNISHED) AT EACH POST.

1/2" x 1"
HEX. HEAD
BOLT (TYP.)

RIBBED STEEL GUARD RAIL
4', 6', 8' OR 10' LONG. DIMENSIONS
ARE CENTER TO CENTER OF POST



JESCOGARD®

Telephone: 1.517.542.2903

Fax It: 1.517.542.2501

E-MAIL: jesco@jescoonline.com

Web Site: www.jescoOnline.com