

JESCOGARD RAILING SYSTEM INSTALLATION INSTRUCTIONS

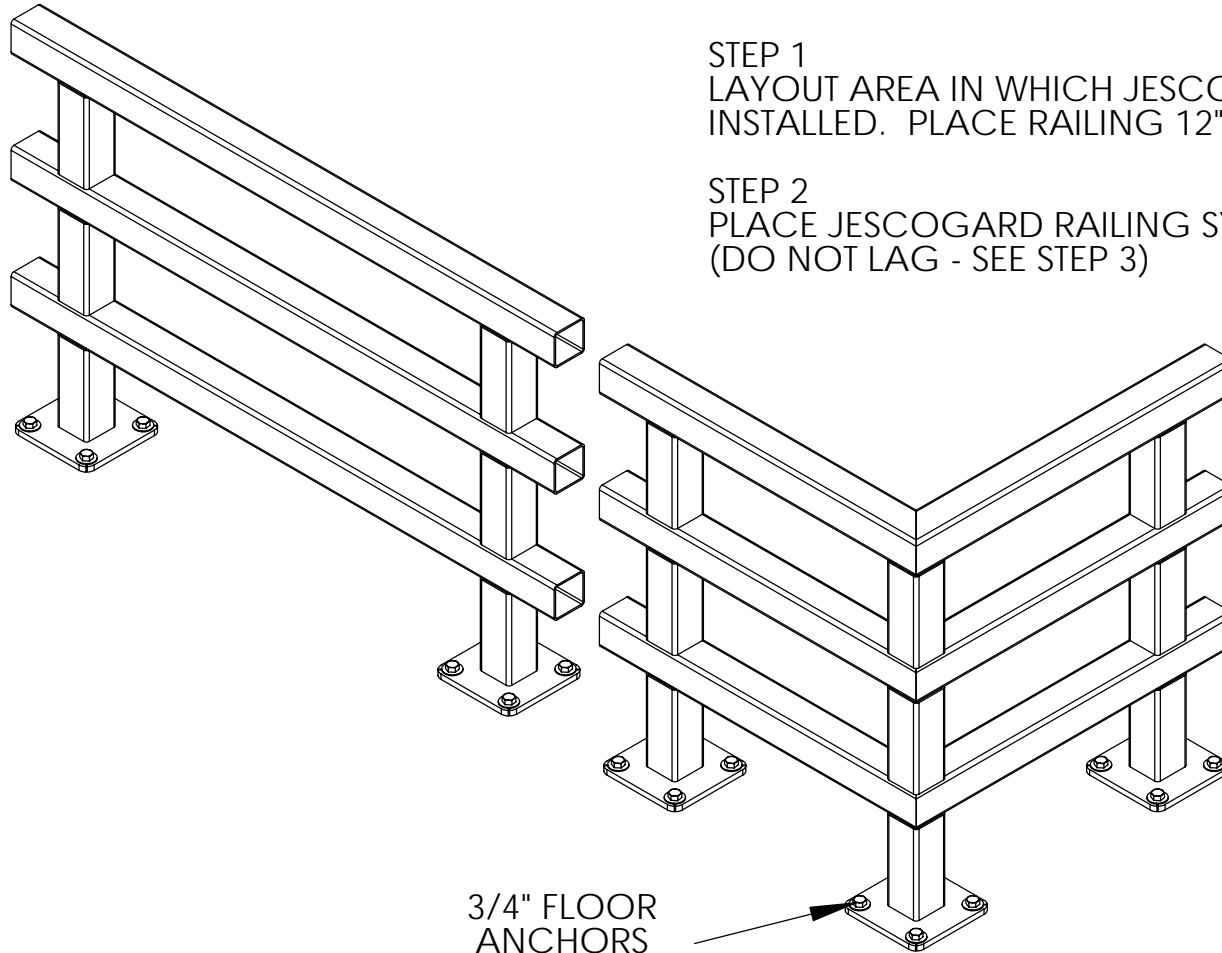
REVISIONS		DATE	APPROVED
ZONE	REV.	DESCRIPTION	

NOTE:
JESCOGARD RAILING SYSTEMS ARE DESIGNED FOR INSTALLATION ON LEVEL CONCRETE FLOOR ONLY. IF FLOOR IS NOT LEVEL SHIMS WILL BE REQUIRED.

STEP 1
LAYOUT AREA IN WHICH JESCOGARD RAILING SYSTEM IS TO BE INSTALLED. PLACE RAILING 12" FROM ANY FIXED OBJECT.

STEP 2
PLACE JESCOGARD RAILING SYSTEM AT APPROXIMATE LOCATION. (DO NOT LAG - SEE STEP 3)

STEP 3
ALIGN AND PLUMB (SHIM IF REQUIRED). DRILL FLOOR THROUGH PLATE AND INSTALL (4) FOUR EACH 3/4" ANCHORS (LENGTH DETERMINED BY FLOOR THICKNESS - NOT SUPPLIED) AT EACH POST.



3/4" FLOOR ANCHORS (NOT SUPPLIED)

PROPRIETARY AND CONFIDENTIAL
THE INFORMATION CONTAINED IN THIS DRAWING IS THE SOLE PROPERTY OF JESCO INDUSTRIES. ANY REPRODUCTION IN PART OR AS A WHOLE WITHOUT THE WRITTEN PERMISSION OF JESCO INDUSTRIES IS PROHIBITED.

DIMENSIONS ARE IN INCHES TOLERANCES: FRACTIONAL ± ANGULAR: MACH ± BEND ± TWO PLACE DECIMAL ± THREE PLACE DECIMAL ±		NAME	DATE	JESCO INDUSTRIES			
MATERIAL --		SJ	3/27/03				
NEXT ASSY	USED ON	FINISH --	COMMENTS:		INSTALLATION INSTRUCTIONS FOR JESCOGARD RAILING SYSTEM		
APPLICATION		DO NOT SCALE DRAWING		SIZE A		DWG. NO. RAILING-INSTRUCTIONS	
				SCALE: 1:18	WEIGHT: LBS.	REV.	SHEET 1 OF 1