



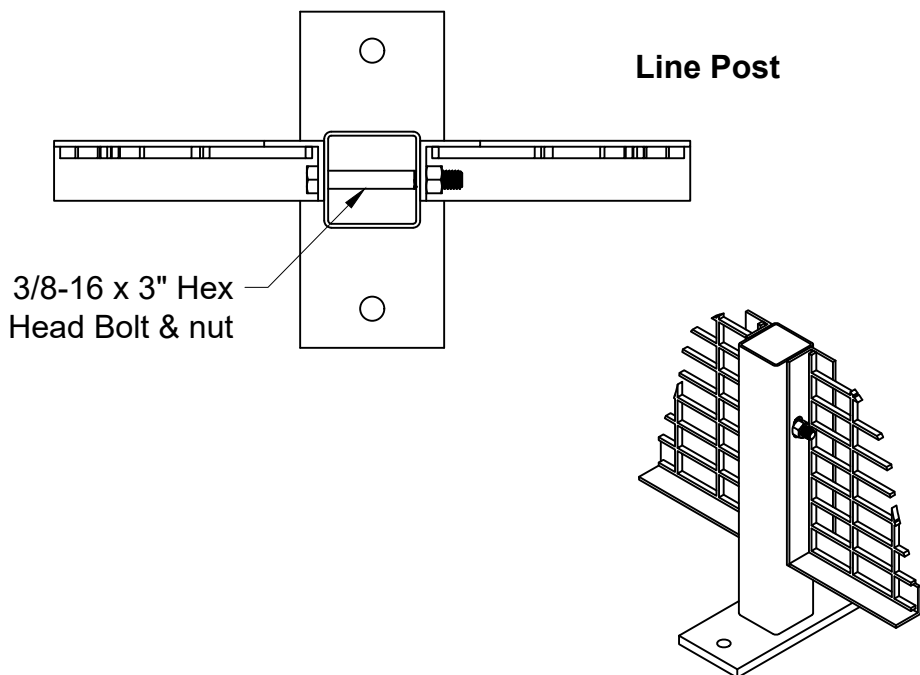
## 2x1 & 1x1 Mesh Installation Instructions

Jesco Industries, Inc.  
950 Anderson Rd. - P.O. Box 388  
Litchfield, MI 49252-0388

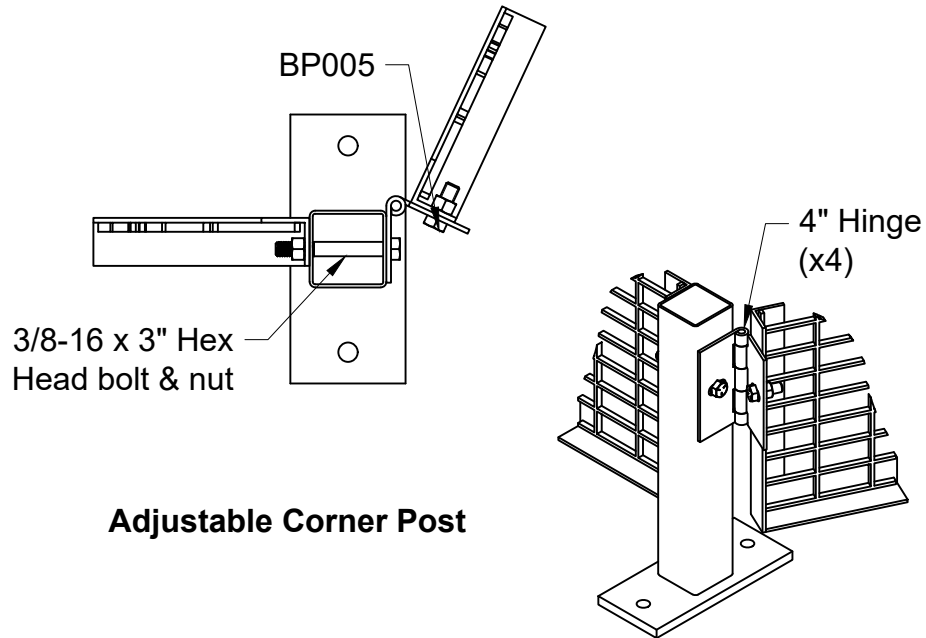
Any questions call (517) 542-2903

Table of Contents	
Description	Page
Line Post	1
Adjustable Corner	1
Corner Post	1
3 way Post	1
4 way Post	2
Anchors in Post	2
Cylinder lock receiver	2
Notes	2
Panel configuration	3
Single Hinged Door w/o transom	4
Single Hinged Door w/Transom	4
Dutch Door w/o Transom	5
Dutch Door w/ Transom	6
Double Hinged Door w/o Transom	7
Double Hinged Door w/ Transom	8
Single Slide Door Assembly	9
Single Slide Door w/Extension panel Assembly	10
Single Slide Door	11
Double Slide Door	12
Cantilever Slide Door Assembly	13
Cantilever Slide Door Install	14
Ceiling Panel Install	15

### Line Post

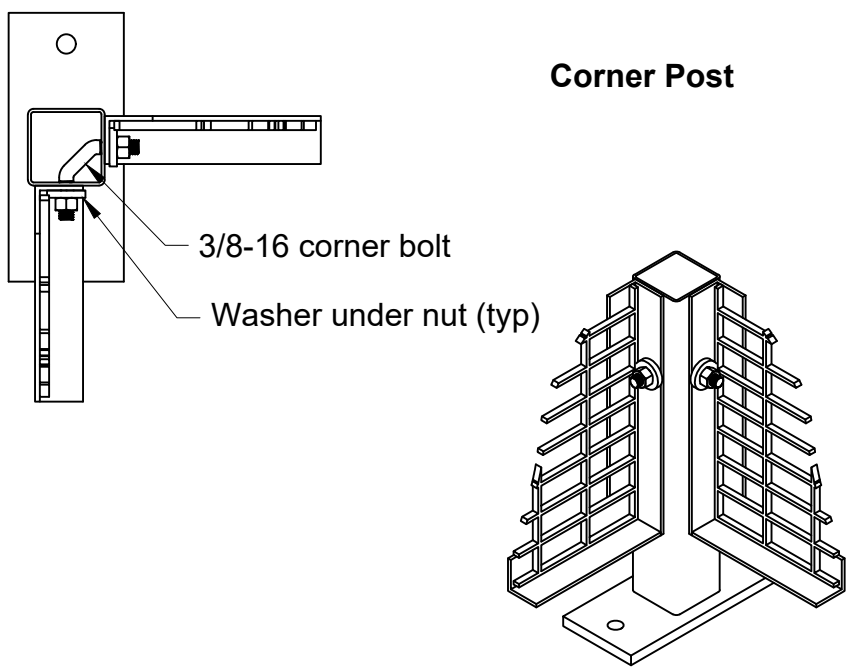


BP005

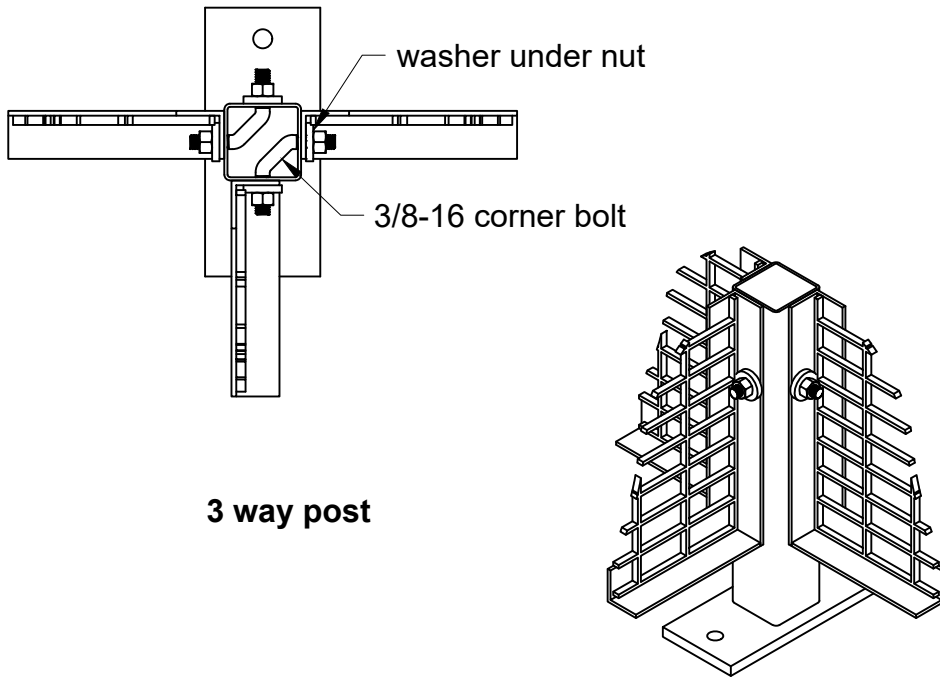


### Adjustable Corner Post

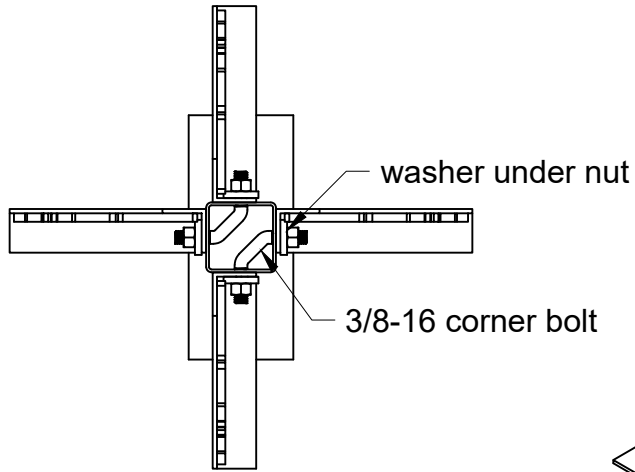
### Corner Post



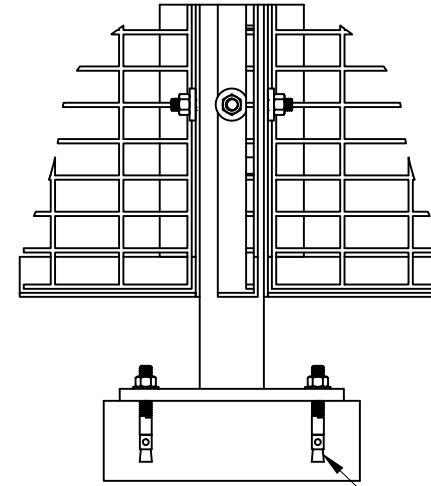
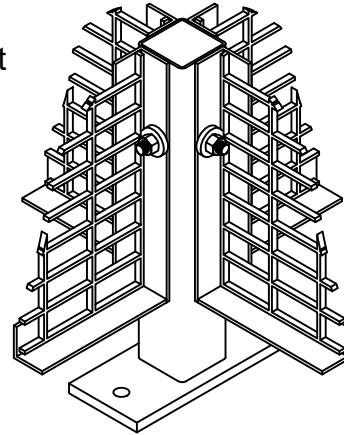
washer under nut



### 3 way post



**4 way post**



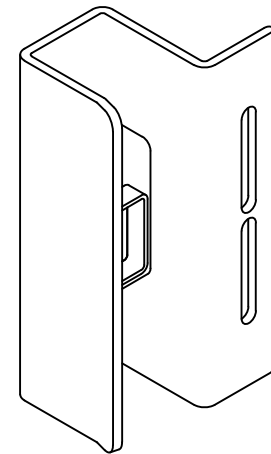
**Anchors w/post**

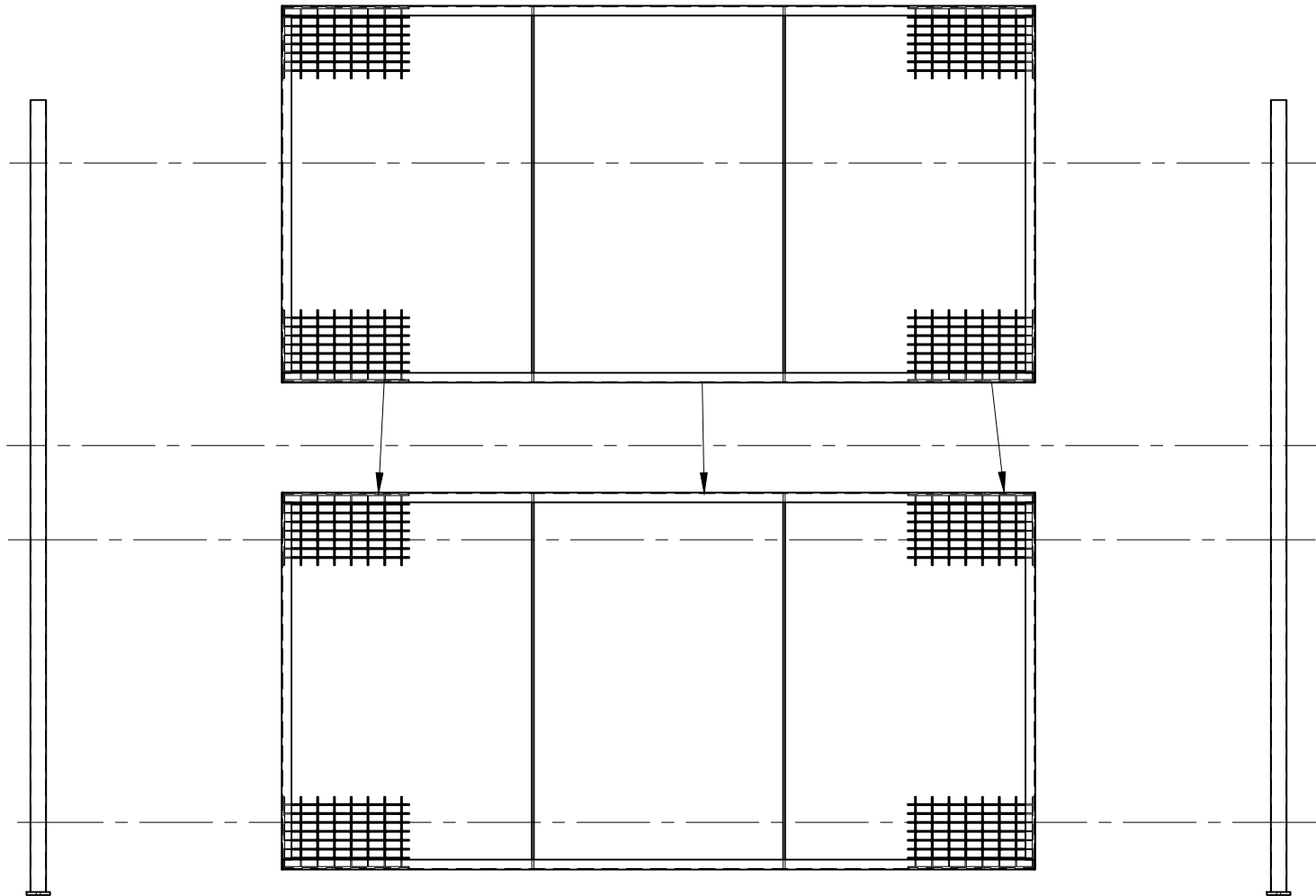
$\frac{3}{8}$  x 3 stud anchor

**Notes:**

- 3/4" spacer will be required for installation of panels (not included)
- Torque fasteners to 15#
- Padlock lugs standard.
- Locks not included.
- Several lock types available
- Lock designed so that when is being installed the internal components remain in place. {to install lock remove 4 phillips head screws from lock & seperate 2 halves}
- Slide door lock tongue will look like a hook and rotate down when key is turned.
- Hinged door lock tongue will be squared and have a chamfer (45° angle) and will slide in when the key is turned.

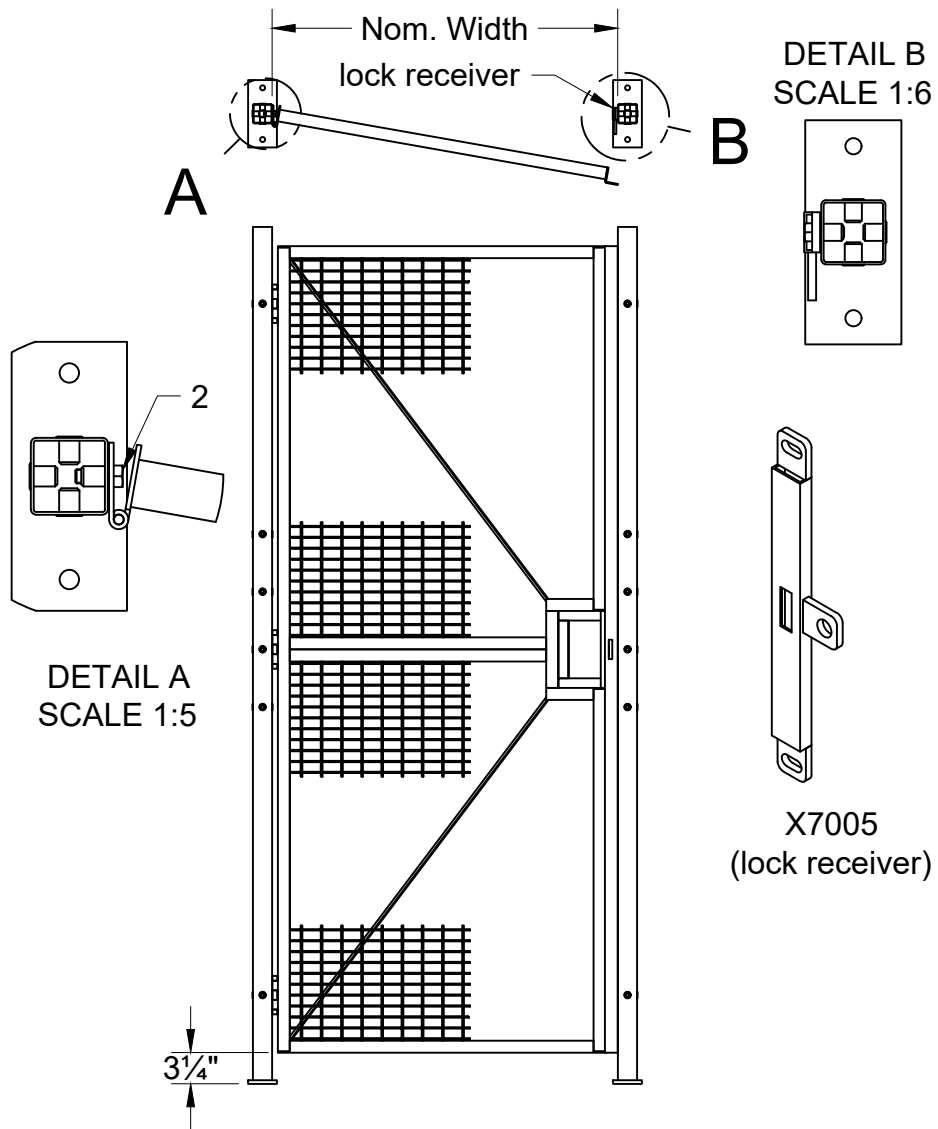
**Slide door cylinder lock receiver  
301504 (optional)**





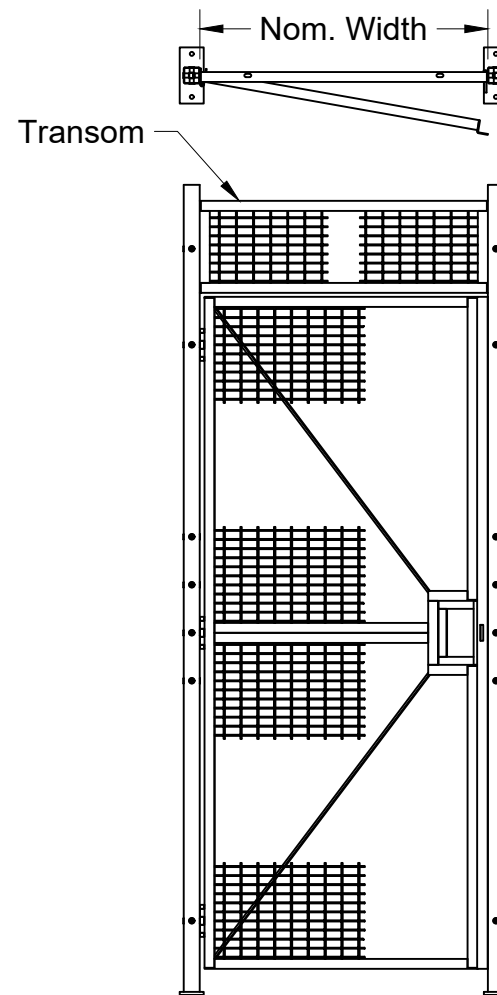
*Panels to be installed horizontally as shown above*

Use BP005 to bolt panel to panel  
Use BP010 (line post); BP015 corner(3 & 4 way posts)



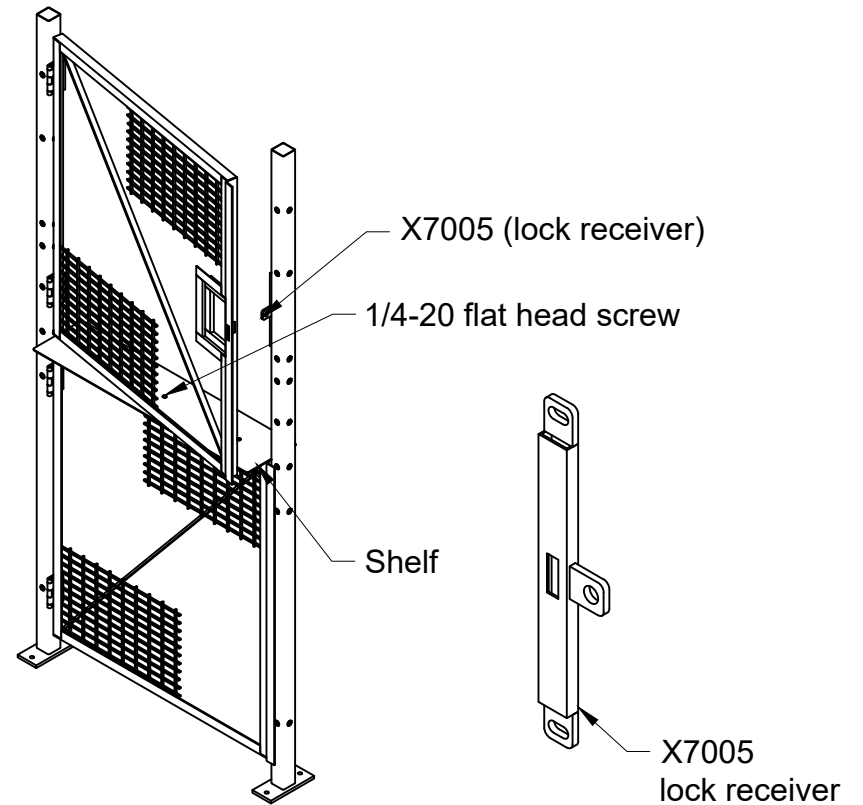
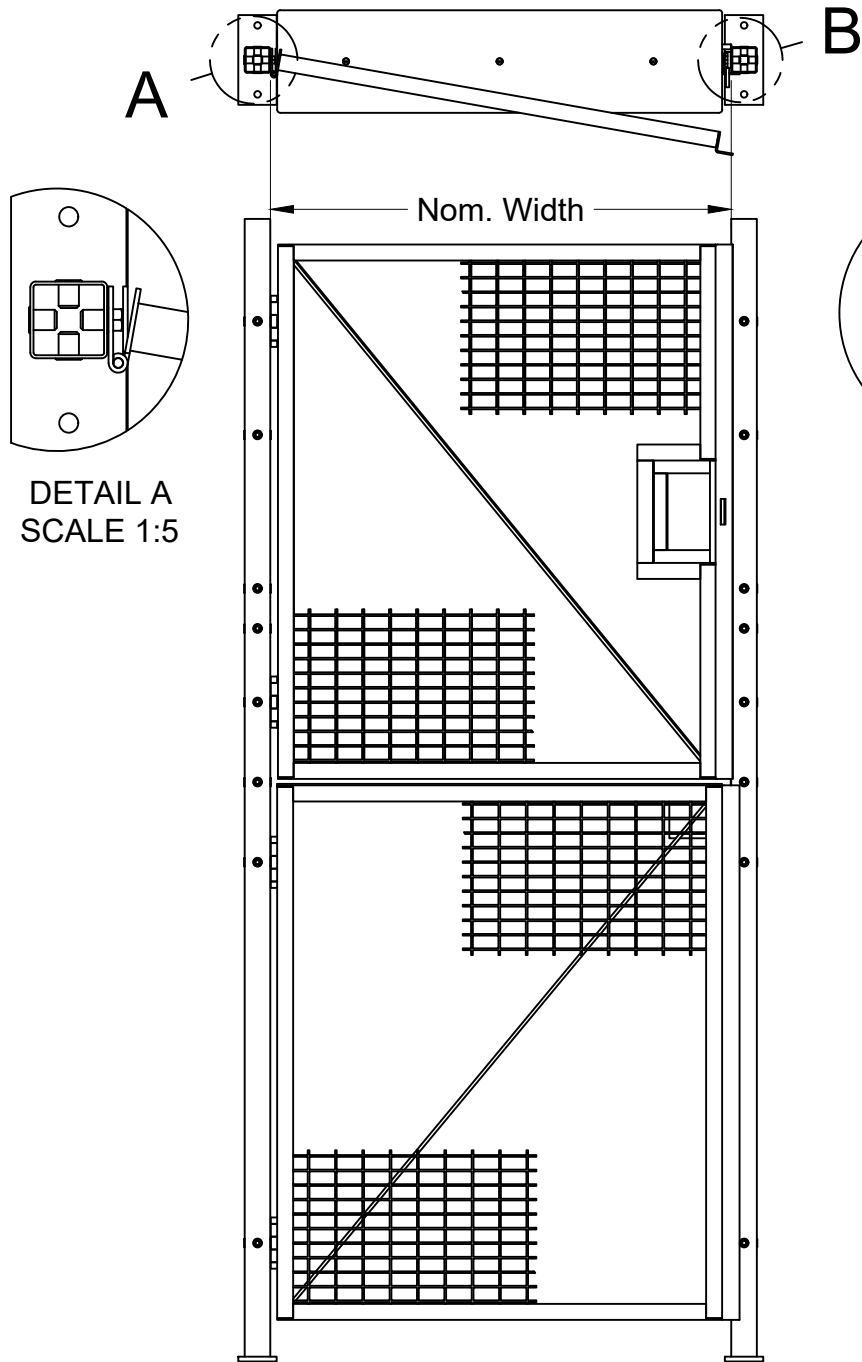
**Instructions to install single hinged door without transom:**

1. Place door post with distance between being the nom. width.
2. Use 3 1/4" spacer under door and bolt hinges to door post using (3) 3/8"-16 x 1" hex head bolts. (BP020.)
3. Attach lock receiver (X7005) to opposite side using 2 - 3/8-16 x 1" hex head bolts.
4. Place caps in top of posts.



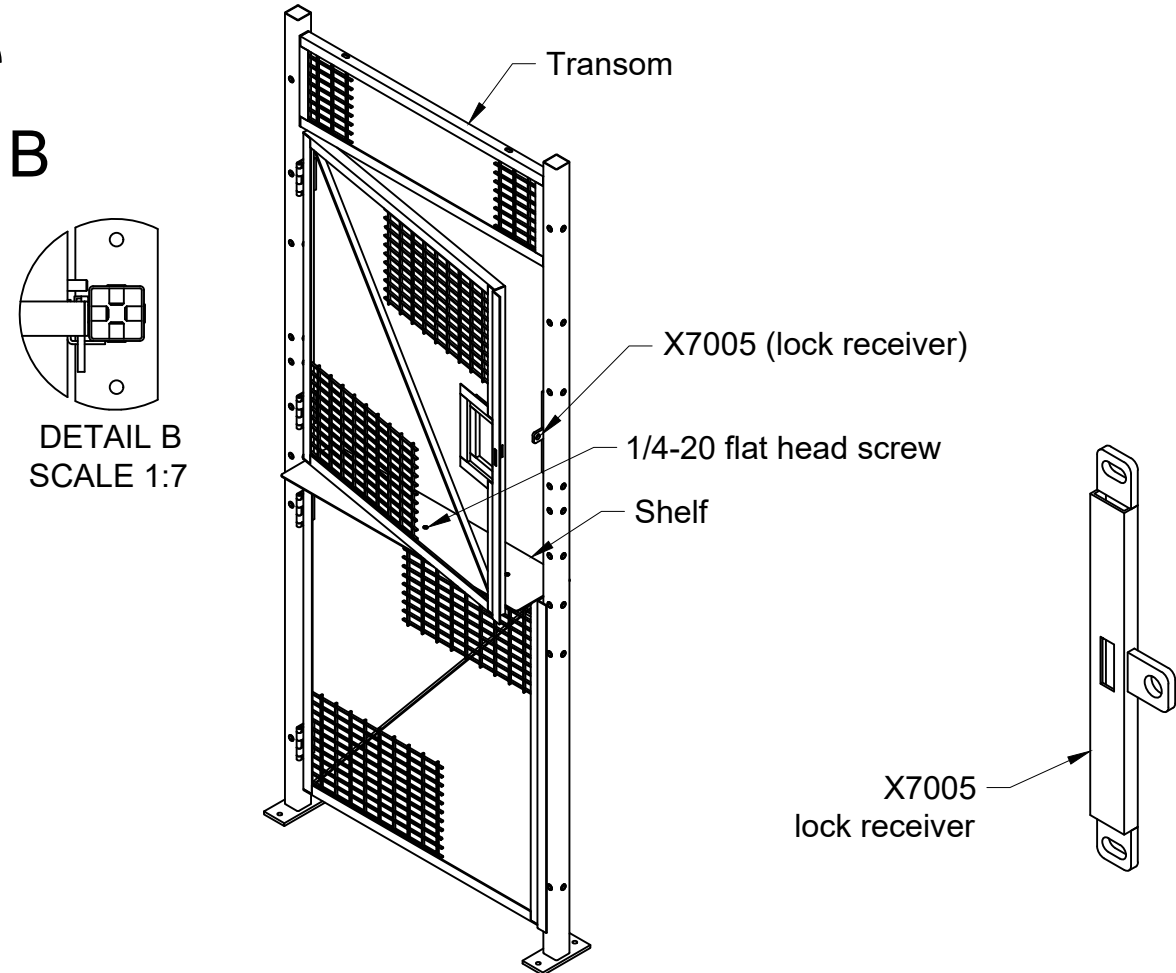
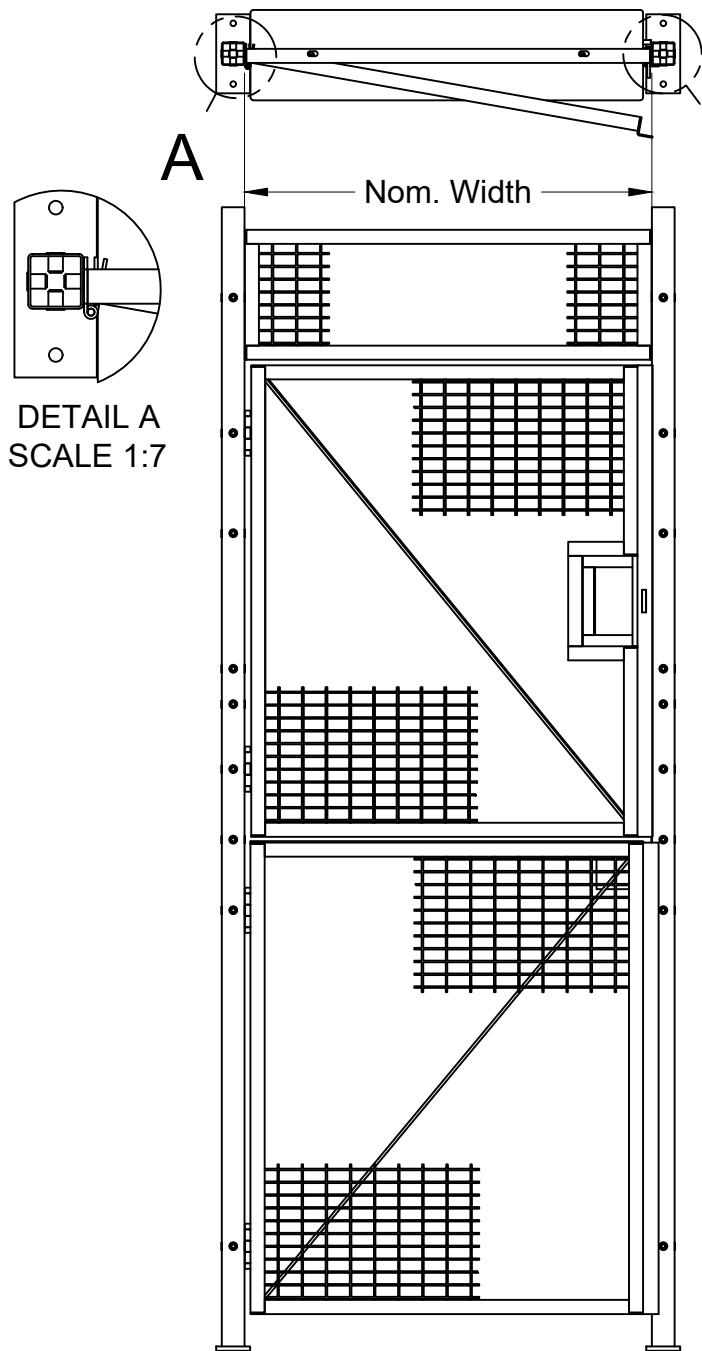
**Instructions to install single hinged door with transom:**

1. Place door posts with the distance between being the nom. width.
2. Use 3 1/4" spacer under door and bolt hinged to door post using 3 - 3/8-16 x 1" hex head bolts (BP020)
3. Attach transom above door and bolt to posts using 2- 3/8-16 x 1" hex head bolts.
4. Attach lock receiver (X7005) to opposite door post using 2 - 3/8-16 x 1" hex head bolt bolts.
5. Place caps in top of posts



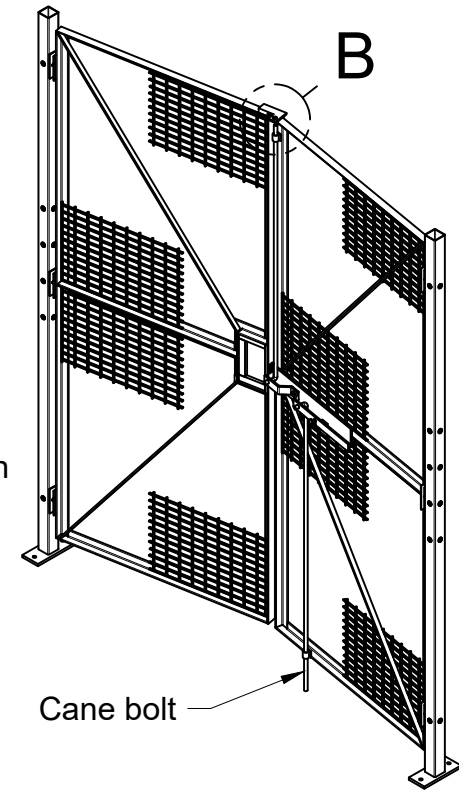
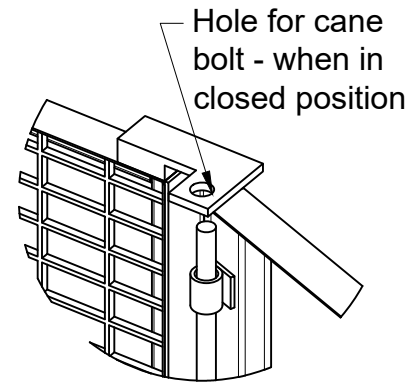
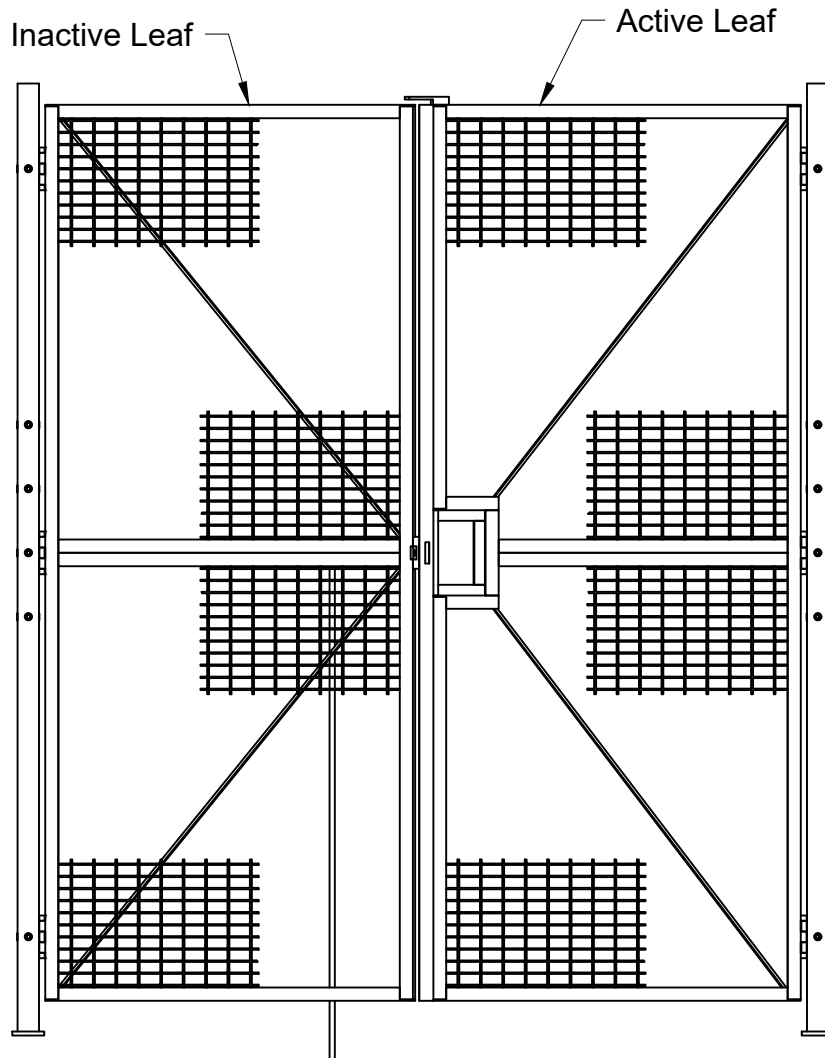
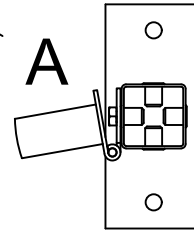
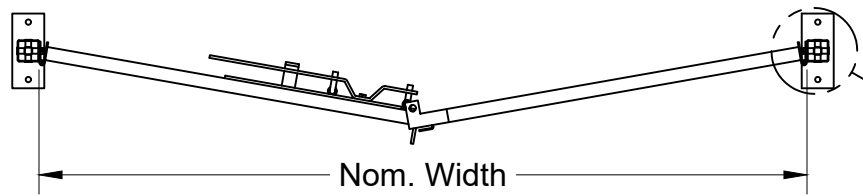
**Instructions to install a Dutch Door without transom:**

1. Place door posts with distance between being the Nom. width (as shown)
2. Using 3 $\frac{1}{4}$ " spacer for bottom door half; bolt hinges to door post using 2 - 3/8-16 bolts from BP035.
3. Bolt shelf to top of bottom door using (3) - 1/4-20 x 1 flat head screws and (3) 1/4-20 bolts from BP035.
4. Bolt lock receiver (X7005) to opposite post using (2) - 3/8-16 x 1 hex head bolts.
5. Bolt top door leaf to post using (2) - 3/8-16 hex head bolts from BP035
6. Level and plumb before tightening hardware.
7. Insert caps into top of posts



#### Instructions to install a Dutch door w/ transom

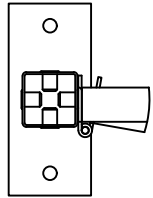
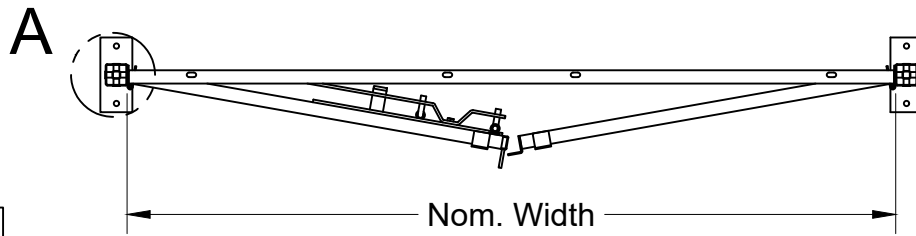
1. Place door posts with distance between being the Nom. width (as shown)
2. Using 3 $\frac{1}{4}$ " spacer for bottom door half; bolt hinges to door post using (2) 3/8-16 hex head bolts from BP035
3. Bolt shelf to top of bottom door using (3) - 1/4-20 x 1" flat head screws and (3) 1/4-20 nuts from BP035.
4. Bolt lock receiver (X7005) to opposite post using (2) - 3/8-16 x 1" hex head bolts.
5. Bolt top door leaf to post using (2) - 3/8-16 hex head bolts from BP035.
6. Bolt transom to posts using 3/8-16 hex head bolts
7. Level and plumb before tightening hardware.
8. Insert caps into top of post.



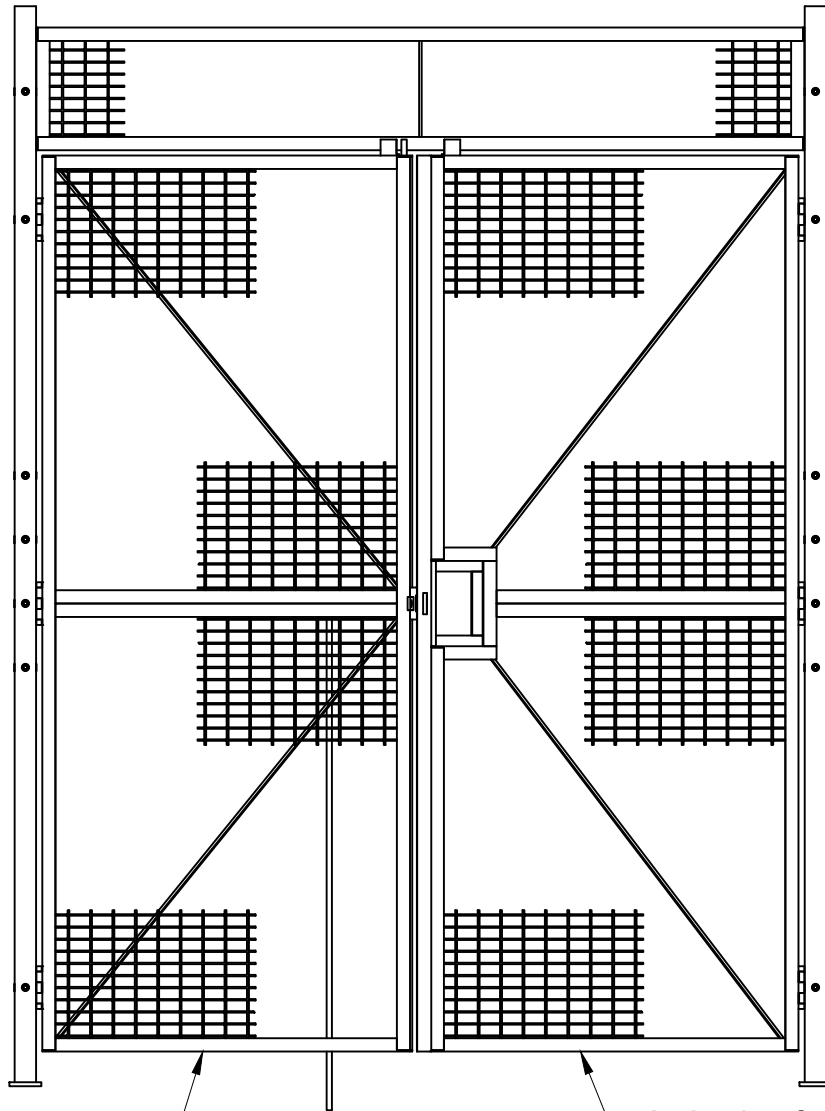
DETAIL B  
SCALE 1:5

**Instructions to install a double hinged door without transom**

1. Place door posts with distance between being the nom. width (as shown)
2. Using 3¼" spacer; mount inactive leaf (*leaf with cane bolt*) to door post using hardware from BP065.
3. Using 3¼" spacer; mount active leaf (*leaf with lock frame*) to door post using hardware from BP065.
4. Level & plumb doors so they operate smoothly
5. Mark & drill floor to accept cane bolt on inactive leaf.
6. Place caps in top of posts.

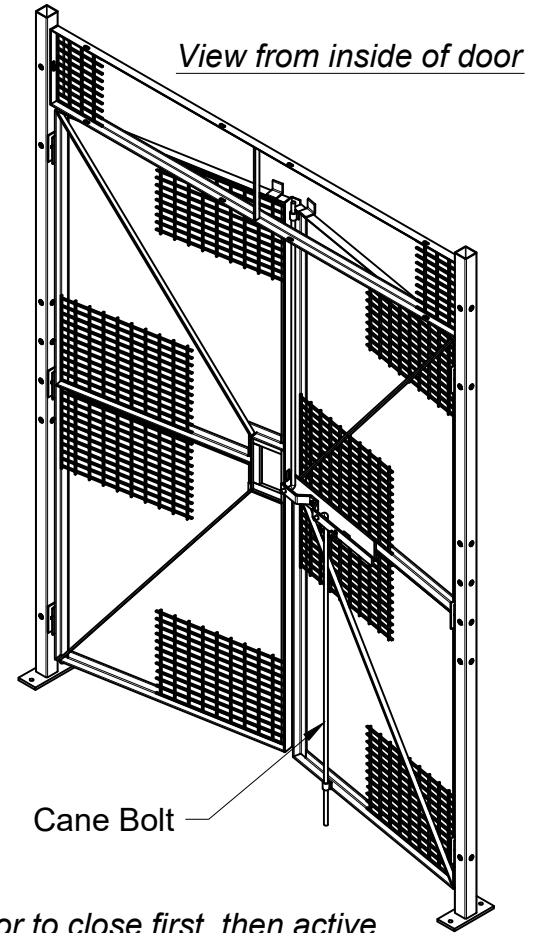


DETAIL A  
SCALE 1:7



Inactive leaf

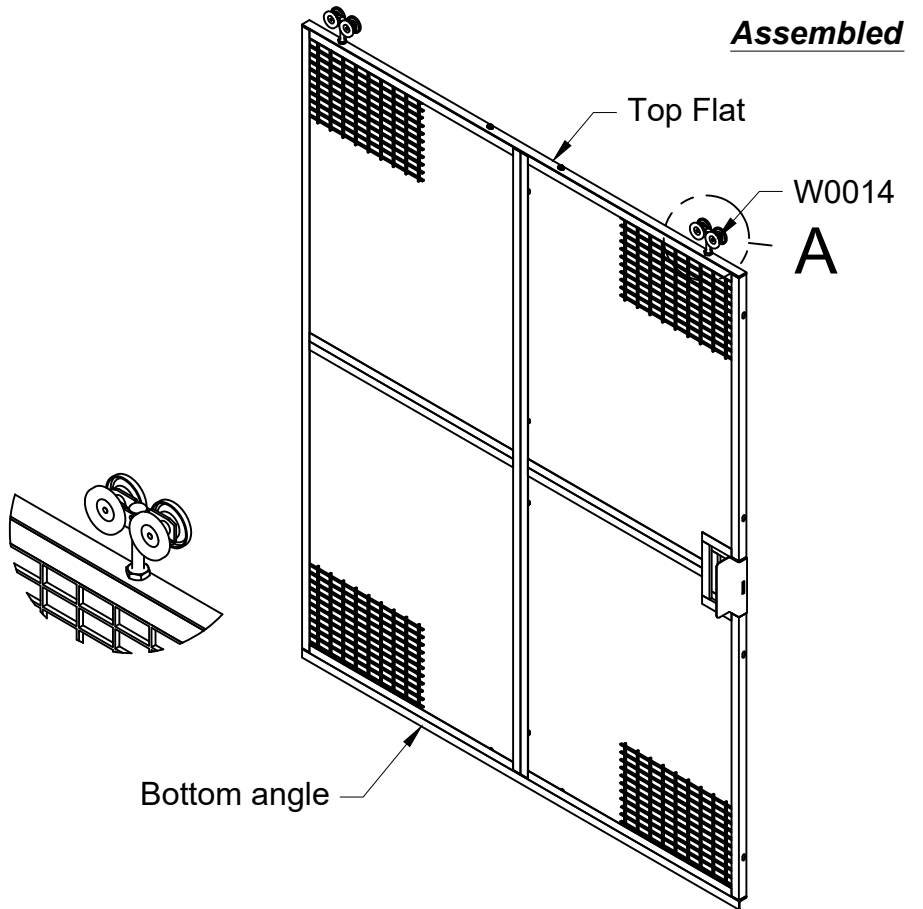
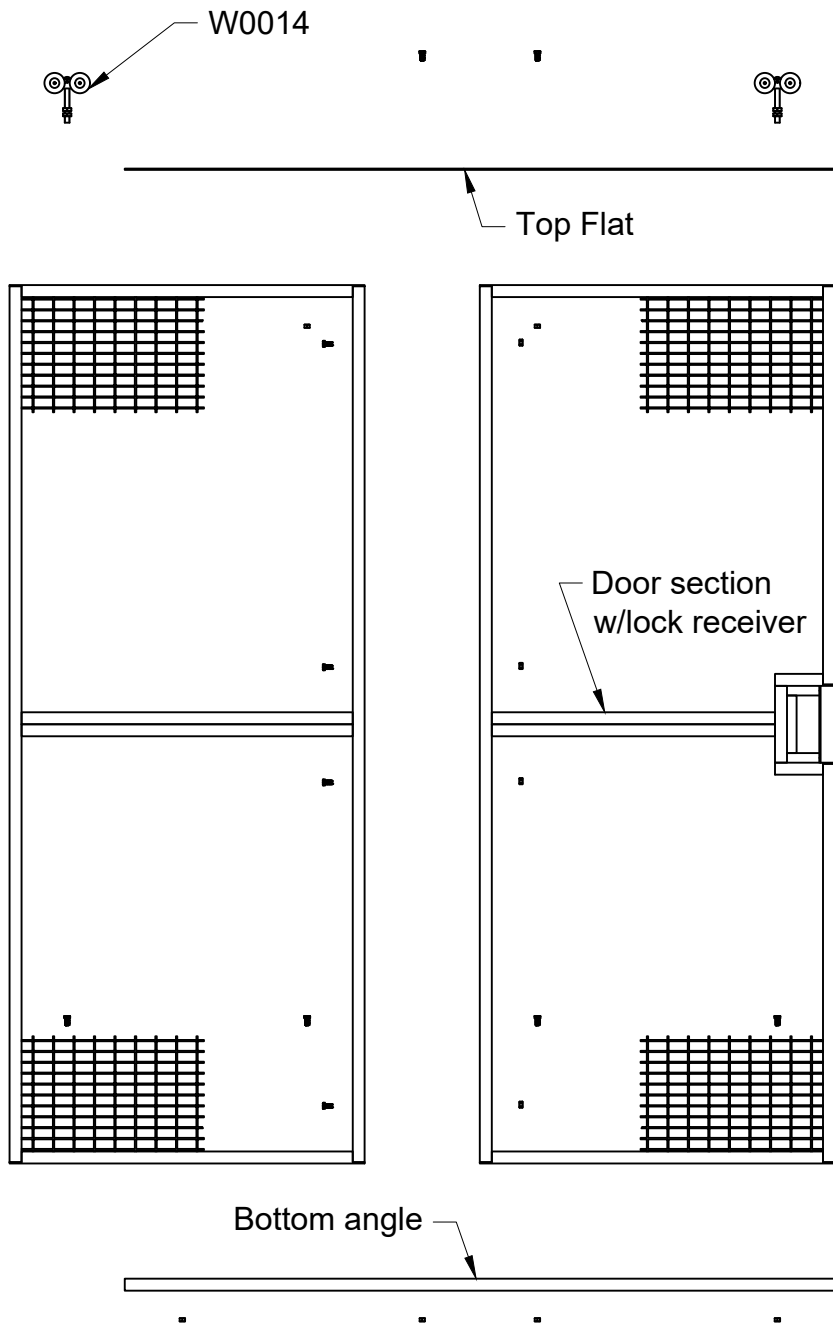
Active Leaf



*Note: Inactive door to close first, then active*

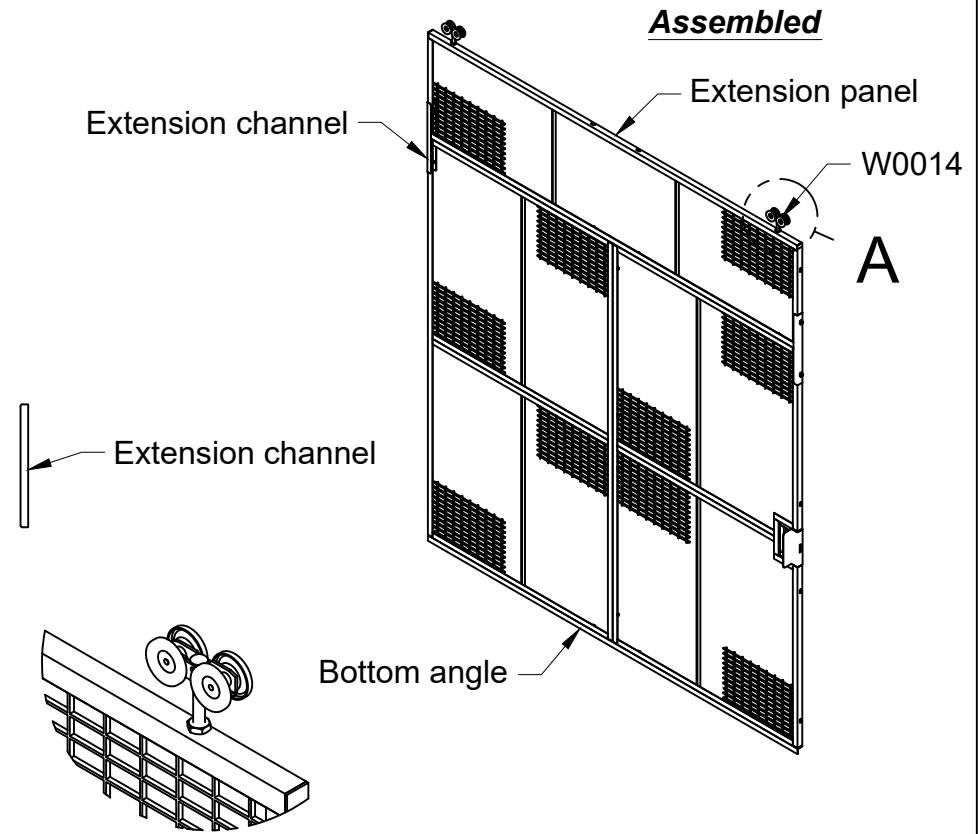
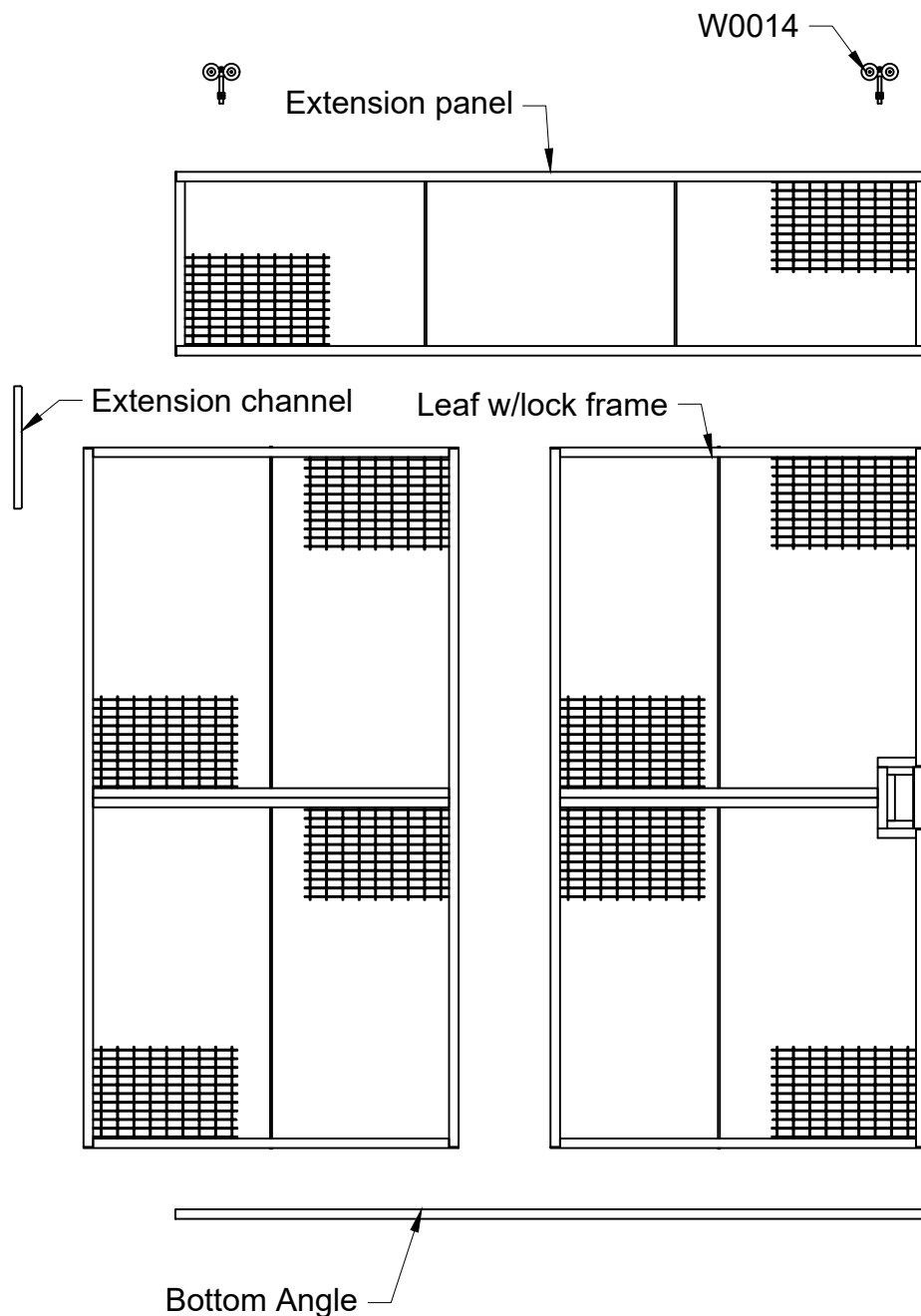
**Instructions to install to a double hinged door w/ transom**

1. Place door posts with distance between being the Nom. width. (as shown)
2. Using 3/4" spacer; bolt hinges on inactive leaf to door post using bolts from BP065.
3. Using spacer; bolt hinges on active leaf (w/lock frame) to door post using bolts from BP065.
4. Bolt transom to both door posts using bolts from BP065.
5. Level & plumb doors so they operate smoothly.
6. Mark & drill floor to accept cane bolt on inactive leaf.
7. Place caps in top of posts.



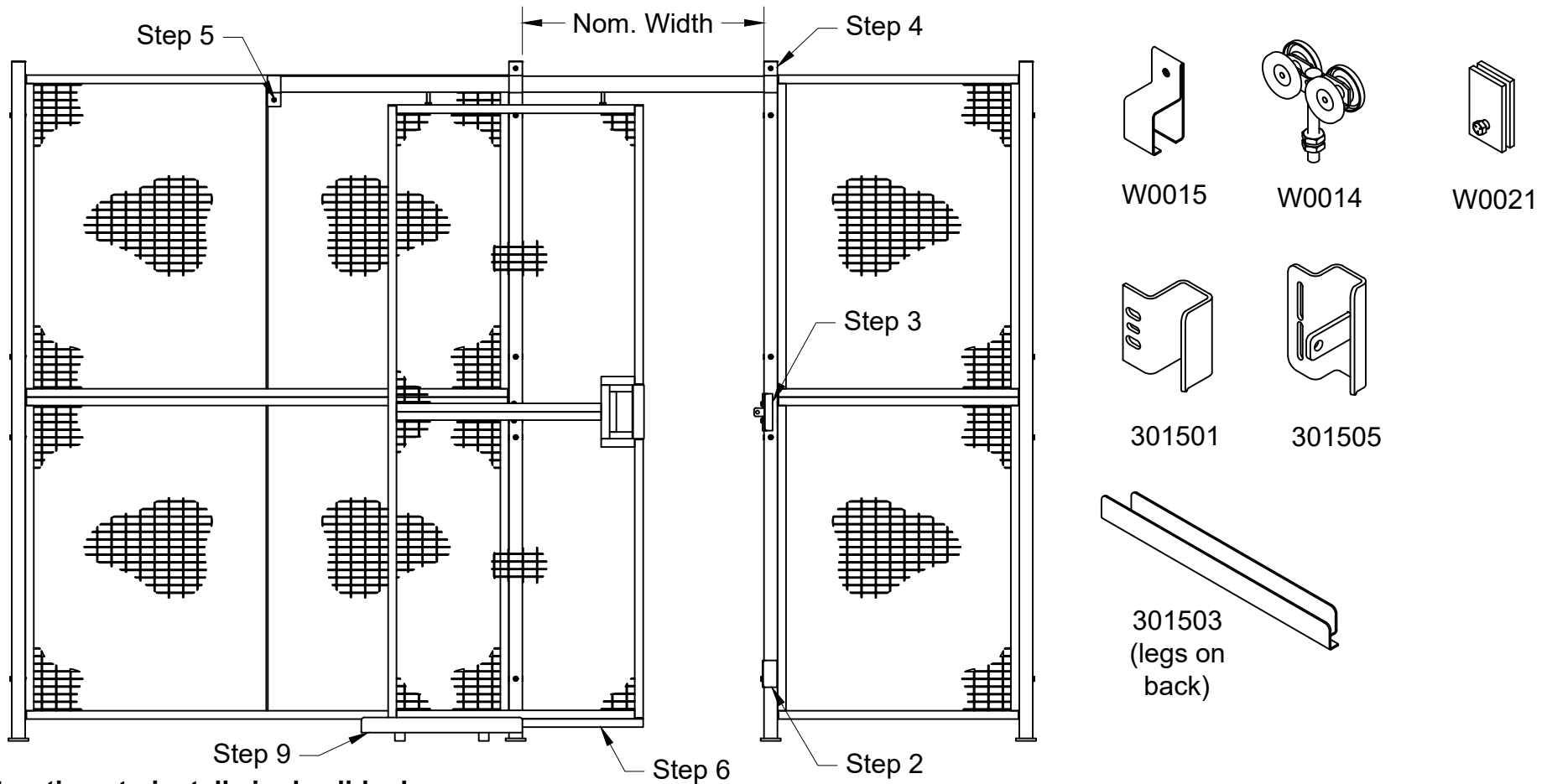
### How to assemble a single slide door (6'-10'W x 8'H)

1. Bolt door section with lock frame to door section without lock frame. (make sure round holes in angle on horizontal planes are to the outside) Using BP025
2. Bolt bottom angle to door using hardware from BP025
3. Bolt top flat to assembled door using 2 middle slotted holes.
4. Remove bottom nut from 4 wheel rollers (W0014) and insert into outermost (round) holes and place nut on roller stem.
5. Insert into track and level with receiver.
6. Insert caps into top of posts.



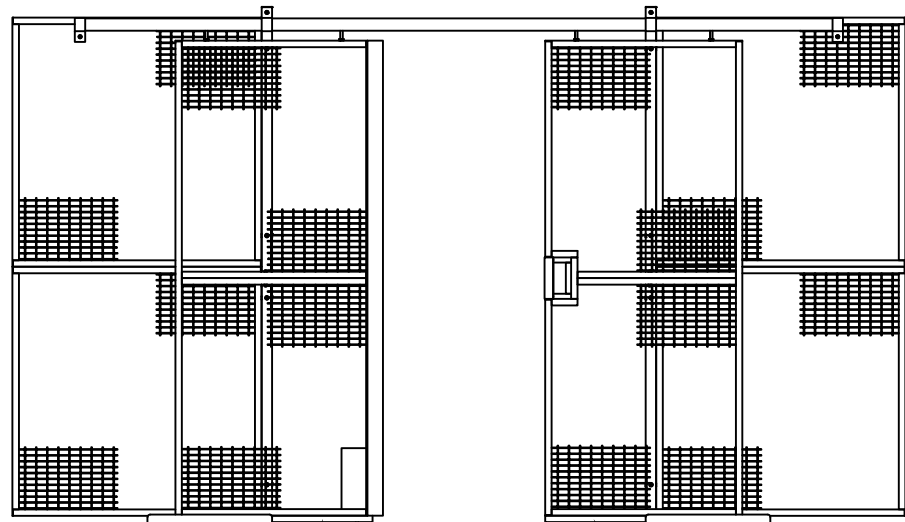
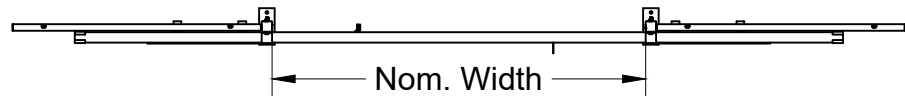
### How to assemble a single slide door (6'-10' wide x 10'H)

1. Bolt door section with lock frame to door section without lock frame. (Make sure round holes in angle on horizontal planes are to the outside.) Using BP025
2. Bolt bottom angle to door using bolts from BP025
3. Bolt extension panel to top of assembled door using bolts from BP025
4. Bolt extension channels to bottom leaves and extension panel using bolts from BP025
5. Remove bottom nut from 4 wheel rollers (W0014) and insert into outermost hole (round) and place nut removed to under side of angle.
6. Insert into track & level with receiver.
7. Insert caps into top of posts.



### Instructions to install single slide door:

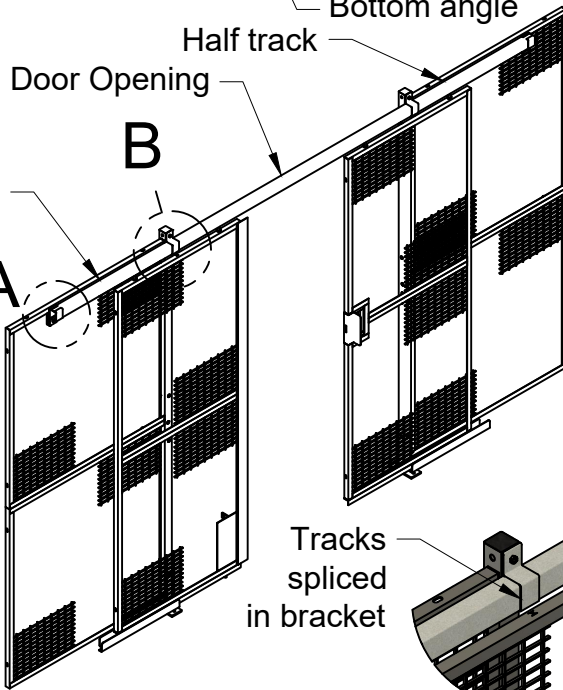
1. Place door post with distance between being the nom. width (as shown)
2. Attach slide door bumper (301501) to closing side of post using (1) 3/8-16 hex head bolt (BP025)
3. Attach slide door padlock receiver (301505) to closing side post using (2) 5/16-18 x 1" hex bolts (BP025)
4. Attach (2) box track brackets (W0015) with box track into top hole of door posts (non threaded holes) using (2) 3/8-16 x 3" hex head bolt, washer and 3/8-16 hex nut.
5. Attach 3rd box track bracket (W0015) upside down at back end of track; using W0021. One plate on each side of mesh and bolt thru hole in track bracket (2) plates and mesh. Bolt to go on back side of plate.
6. Attach angle to bottom of door using bolts from BP025
7. Slide (2) box track rollers (W0014) into box track and remove bottom nut from each roller.
8. Attach door panel thru outermost round holes in top of door and place nut removed in step 7 under angle.
9. Center door in slide door guide (301503) on floor.
10. Level door on receiver adjusting the threads on the rollers.
11. Insert caps into top of posts



Door guide Bottom angle Cane bolt Door guide Bottom angle



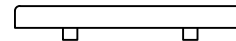
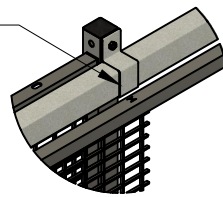
Box track roller (W0014) Half track



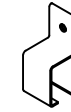
A

B

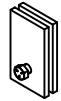
Tracks spliced in bracket



Door guide (301503)



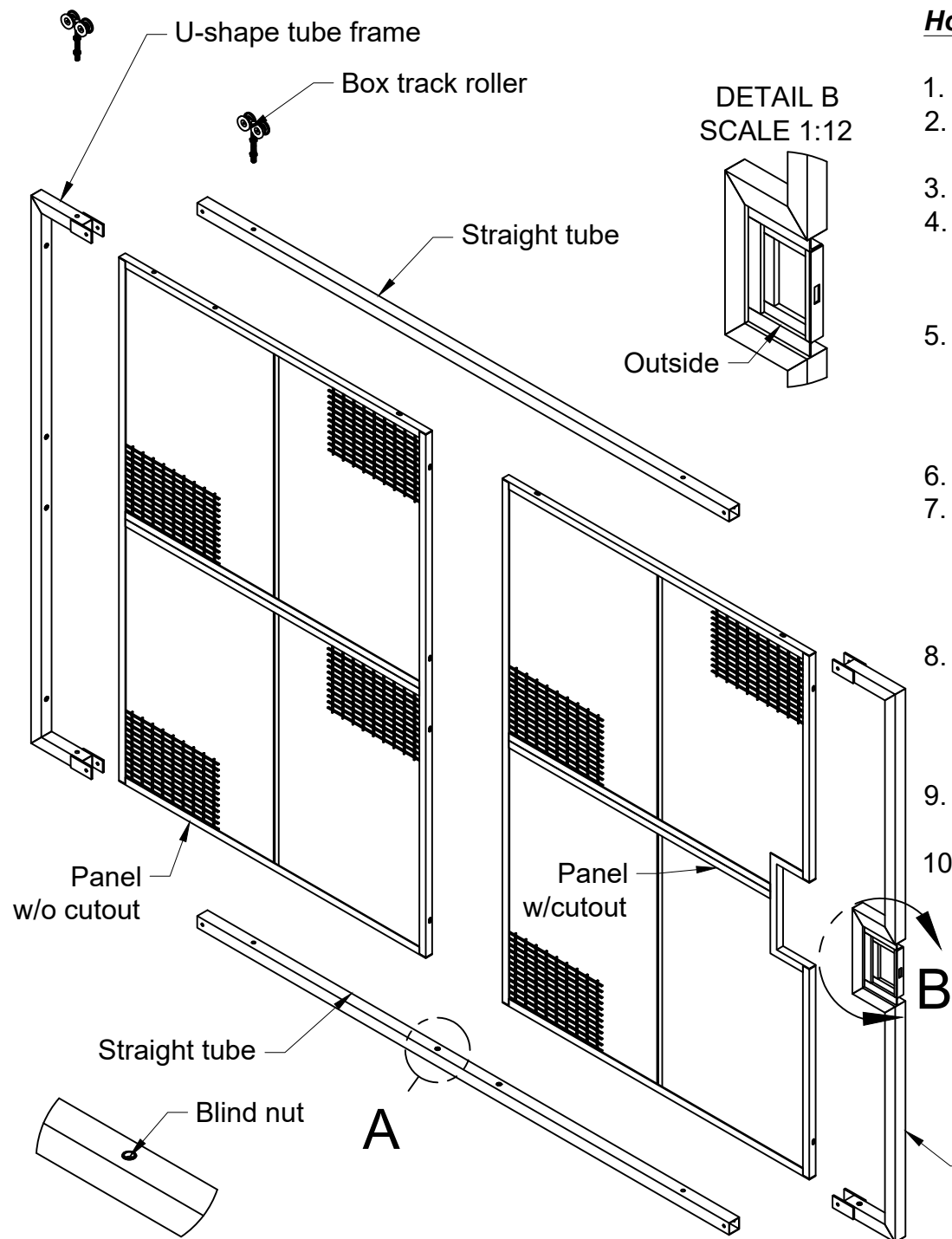
Box track bracket (W0015)



Track bracket plate (W0021)

### Instructions to install a double slide door

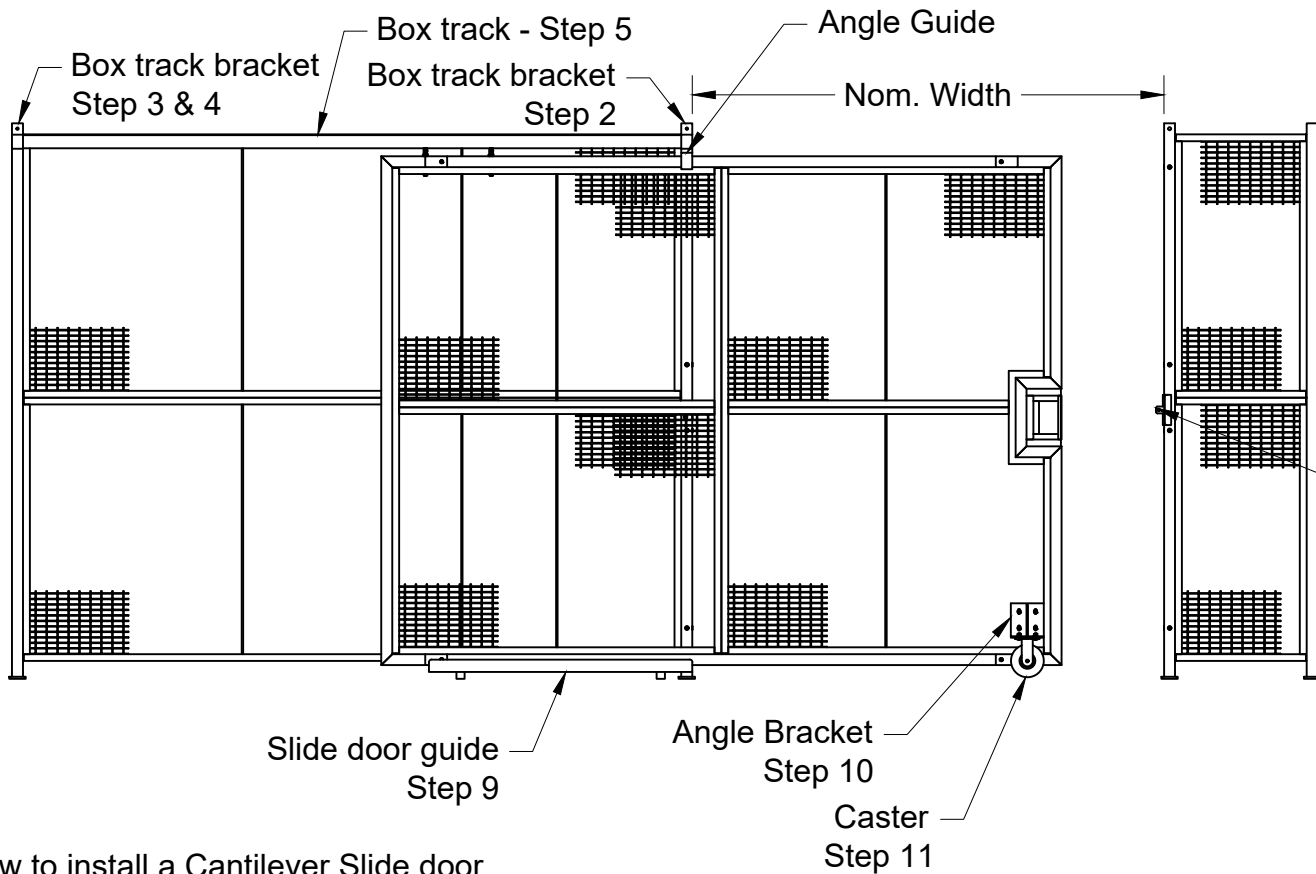
1. Place doors posts with the distance between being the nom. width. (as shown)
2. Bolt bottom angle to bottom of door leaves.
3. For double doors nom. width of 6' (**IF wider go to step 3.2**)
  - 3.1. Slide (2) track brackets (W0015) onto box track @ 12'-4" and bolt to top hole of door posts (unthreaded hole) using 3/8-16 x 3 hex head bolt & nut.
  - 3.2. Cut 2" off end of (1) box track (for door opening) so that the length is nom. width + 2" {ie. 8' door = 8'-2"}. On 2nd box track; cut this one in half. {ie 8' door = 4'-2"}
    - 3.2.1. Bolt (2) brackets and box track from length in 3.2. to top of door posts top hole (unthreaded) using 3/8-3 hex head bolts & nuts.
    - 3.2.2. Splice (half pieces) of box track into each end.
4. Slide (4) box track rollers (W0014) into box track.
5. At each end of box track place (1) box track bracket (upside down) and use (1) plate behind bracket and (1) on back side of mesh (sandwich the mesh) and bolt thru using the bolt and nut from W0021. {this will act as a stop for the door}
6. Remove bottom nut from each of the 4 wheel rollers & place slide door on and replace nut. {2 - 4 wheel rollers per door leaf}
7. Level door leaves so that they come together evenly.
  - 7.1. With doors in closed position; mark and drill floor for cane bolt on inactive leaf
8. Place door guides (301503) on each side of opening and center the door in the guide.
9. Place caps in top of posts.



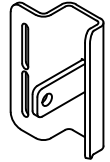
### How to put together a Cantilever slide door w/tube frame

1. Locate 2 door mesh panels {1 will have cutout}
2. Locate tube frames {2 straight, U-shape & U-shape w/lock frame.}
3. Locate BP025
4. Bolt panel with cutout to tube frame with lock frame using 4 -  $\frac{3}{8} \times \frac{3}{4}$  bolts from bolt package in step 3.  
(Note: Clean face of lock frame faces out.)
5. Bolt panel with cutout to U-shaped frame using 4 -  $\frac{3}{8} \times \frac{3}{4}$  bolts from BP025. [vertical only]  
**Note: corner with 2 round holes go to the upper outer corner. These are for the box track rollers.**
6. Bolt 2 door halves together using 4 -  $\frac{3}{8} \times \frac{3}{4}$  bolt & 4 -  $\frac{3}{8}$  nuts.
7. Bolt straight tube to top and bottom of door assembly using 2 -  $\frac{3}{8} \times \frac{3}{4}$  hex bolts from BP025.  
**Note: Make sure face that has the blind nuts goes up against the angle.**
8. Bolt U-shaped tube frames to straight tubes using 4 -  $\frac{3}{8} \times 3$  hex head bolt and  $\frac{3}{8}$  nut. Bolting thru 2 flats at end of U shaped tube frame and going thru hole 1" from end of straight tube.
9. Take out bolt from **each** box track roller off and place in 2 round holes 8" & 20" from back edge of door.
10. Take nut removed in step 9 and put back on box track roller. **{Do not tighten; will need to adjust when door is installed in run of mesh}** Note: 2 rollers should be 12" on center.

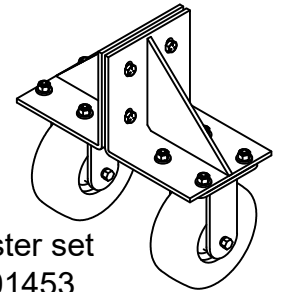
**Note: Clean side of angle will face out**



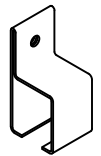
**Note: Door assembly will be 2'-4" wider than opening**



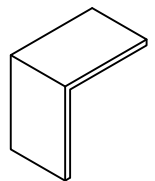
Padlock Receiver  
301505



Caster set  
301453



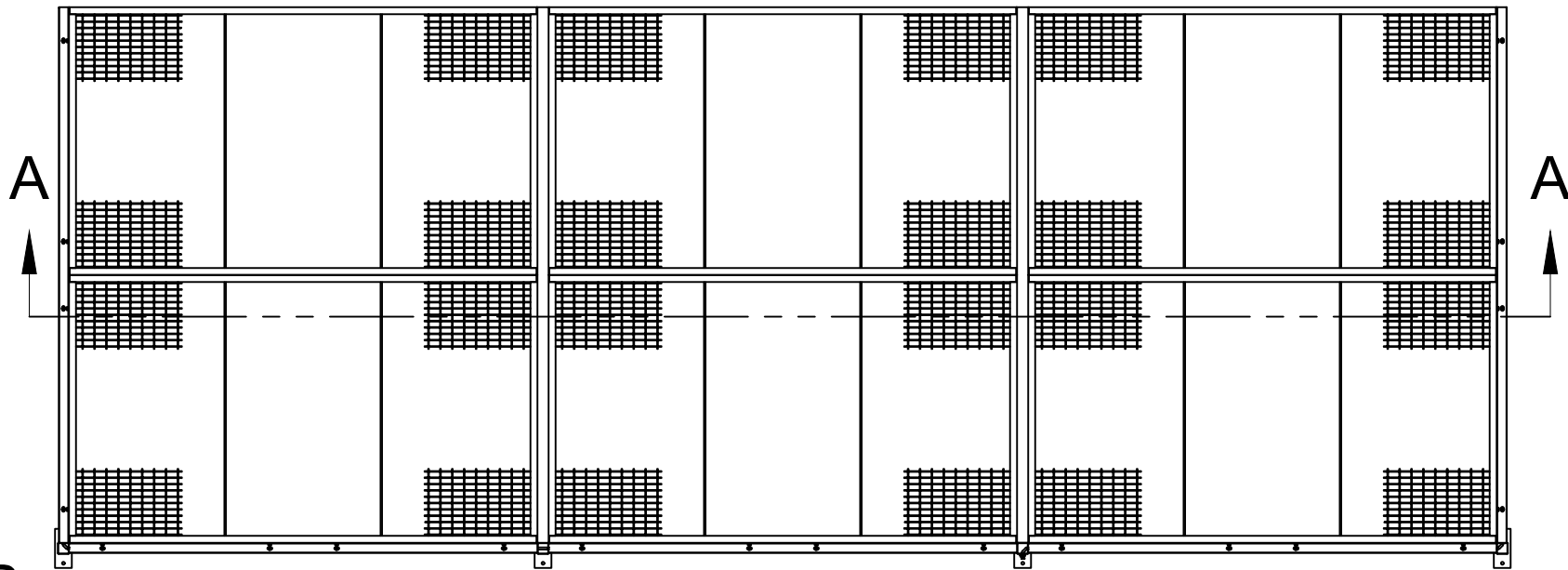
Box track bracket  
W0015



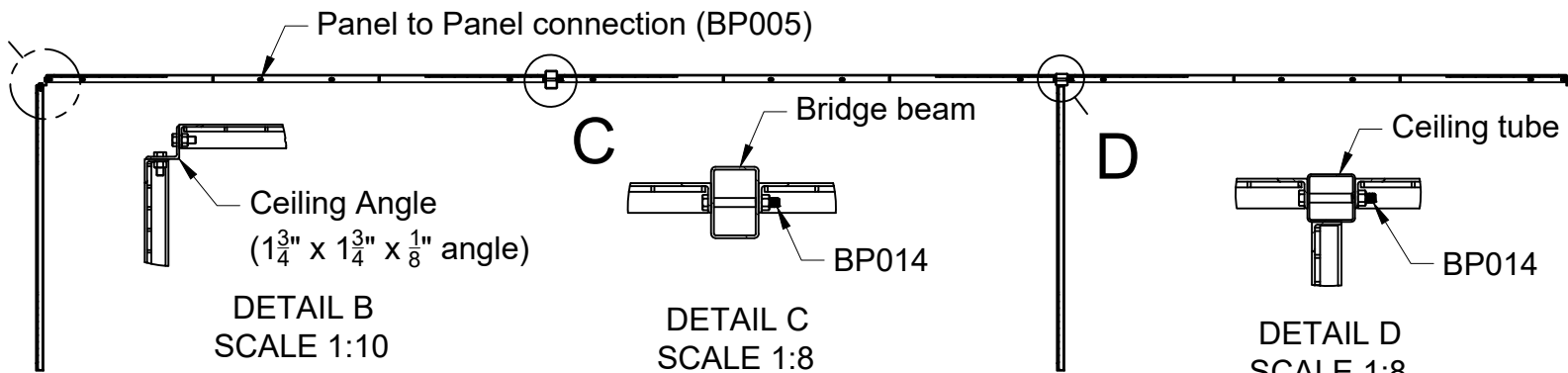
Angle Guide

**How to install a Cantilever Slide door**

1. Place 2 slide door posts nominal width apart. ***Post with angle guide to be on non locking side of opening.***
2. Bolt box track bracket (W0015) to non-lock side slide door post at top of post using  $\frac{3}{8}$  x 3" hex head bolt & nut.
3. Field drill  $\varnothing\frac{7}{16}$ " round hole 1" from top of line post for box track bracket (W0015)
4. Attach other box track bracket (W0015) using  $\frac{3}{8}$  x 3" hex head bolt and nut.
5. Place box track into box track brackets.
6. Slide door with box track rollers into box track.
7. Install lock/padlock receiver (301505) to locking side post using offset blind nuts in post using  $\frac{5}{16}$  x 1 hex head bolts.
8. Slide door to closed position so tongue from padlock receiver goes thru opening. Adjust nuts on rollers to do this.
9. Install door guide (301503) by centering door in track & securing to floor.
10. Install 2 angle brackets with gusset to mesh. (301453) {1 on each side of mesh} - ***Note: slotted holes face mesh*** using 4 -  $\frac{3}{8}$  x 2" hex head bolts, lock washers and nuts.
11. Install 1 castor to each plate using BP110.
12. Tighten all hardware.



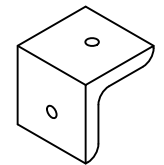
B



DETAIL B  
SCALE 1:10

DETAIL C  
SCALE 1:8

DETAIL D  
SCALE 1:8



Bridge Beam Bracket  
2"x2"x $\frac{3}{8}$ " angle @ 2"

**To install ceiling angle [exterior perimeter]**

1. Bolt to top of vertical panels using BP005
2. Bolt to ceiling panel using BP005

**To Install Bridge Beam (3x2 or 4x2 tube) between ceiling panels**

1. Bolt through one leg of ceiling panel frame and tube using BP014
2. Place Bridge beam bracket under bridge beam on post and tech screw to post and bridge beam.

**To Install Ceiling tube (2x2 tube) between ceiling panels**

1. Place tube on top of interior vertical panels (loosely)
2. Bolt through one leg of ceiling panel frame and tube using BP014