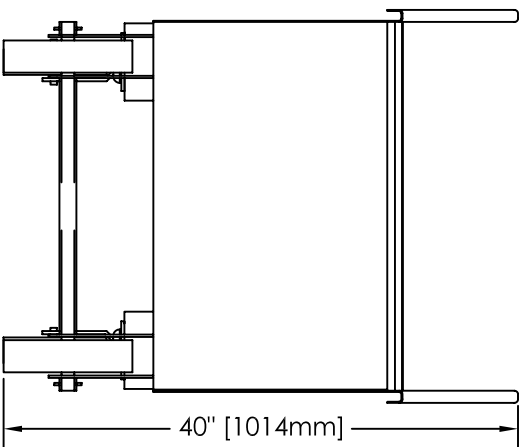
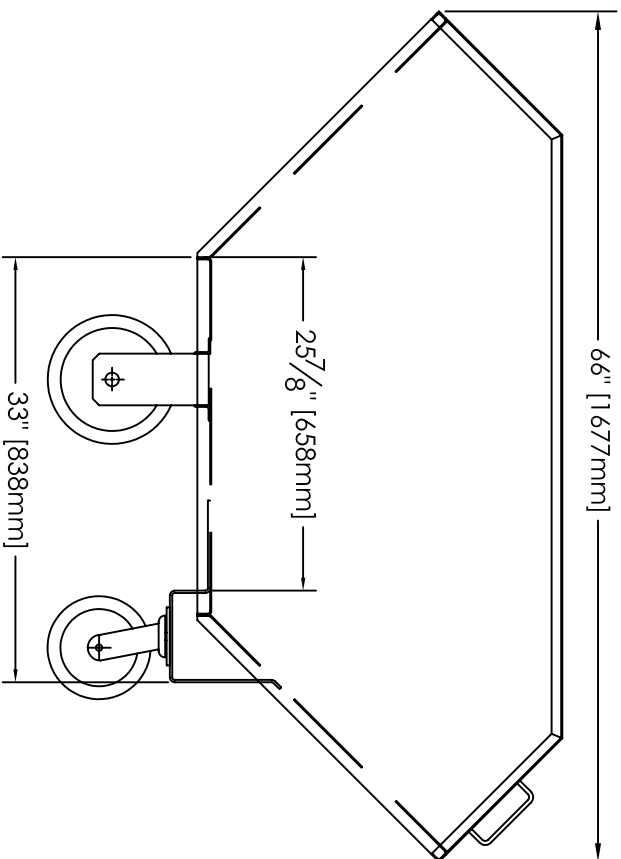


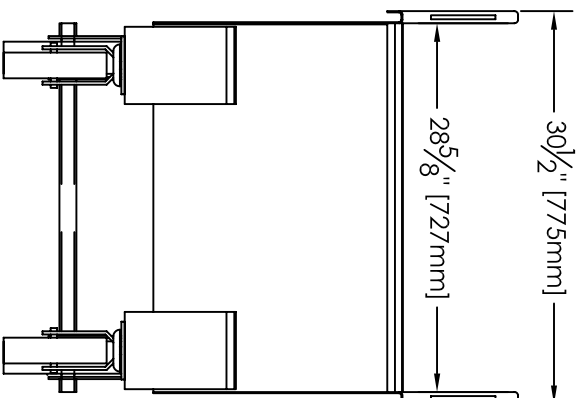
jasco[®]
 ~Since 1932~



FRONT ELEVATION



SIDE ELEVATION



BACK ELEVATION

**FIRST PART
 APPROVAL REQUIRED**
 APPROVED BY _____
 DATE _____

-NOTE- UNITS ARE TO BE WELDED WATER TIGHT.

DESCRIPTION		CHIP & WASTE TRUCK ~22.2 CUBIC FEET~	
DRAWN BY	GAS	SCALE	MATERIAL
CHKD		DATE	04/11/94
TRACED		APP'D	
			DRAWING NO. 290300