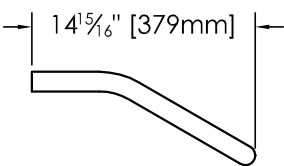
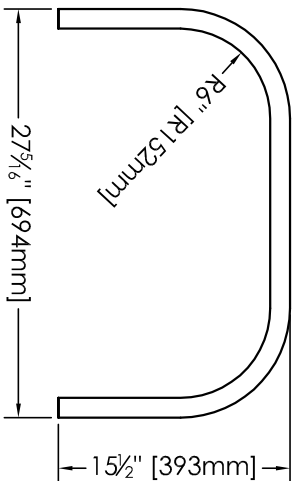
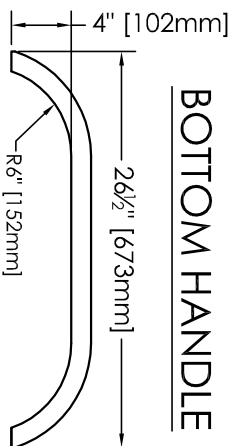


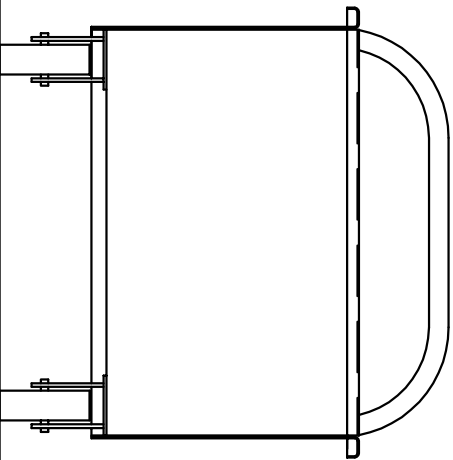
HANDLE



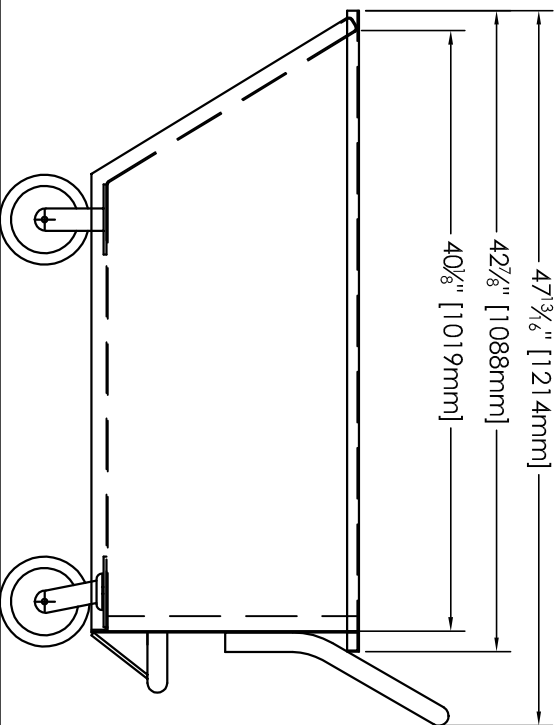
BOTTOM HANDLE



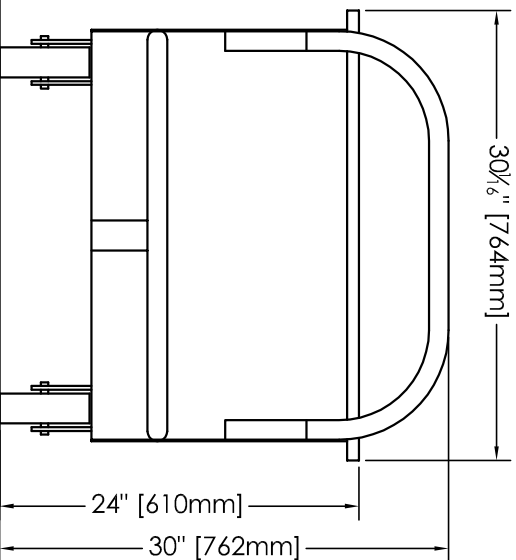
FRONT ELEVATION



SIDE ELEVATION



BACK ELEVATION



FIRST PART
 APPROVAL REQUIRED
 APPROVED BY _____
 DATE _____

DESCRIPTION		3/8 YARD STEEL TILT TRUCK	
DRAWN BY	JP	SCALE	MATERIAL
CHK'D		DATE	12/03/10
TRACED		APP'D	271211