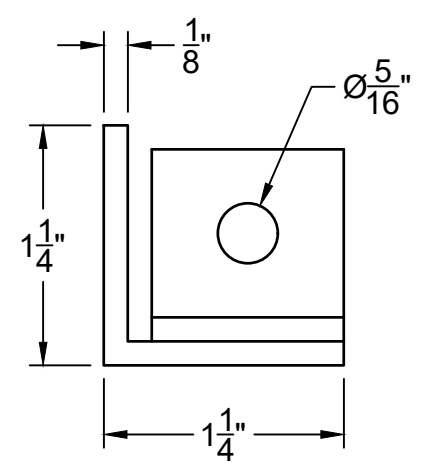
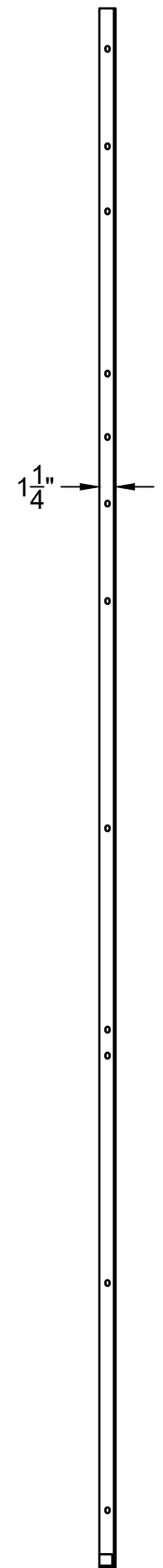
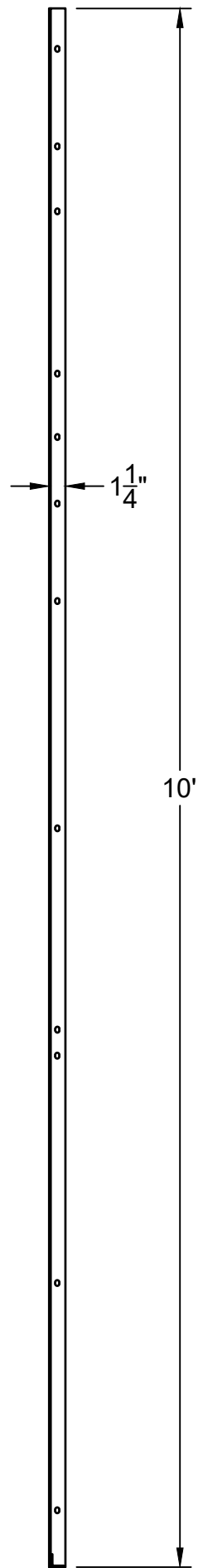



FIRST PART
 APPROVAL REQUIRED
 APPROVED BY _____
 DATE _____



		TITLE 10' corner angle		
		SIZE B	COLOR Dk Gray	DWG NO 301274
DRAWN Jesse Pifer 2/21/2024		SCALE 1:12	WEIGHT 10 lbs	SHEET 1/1