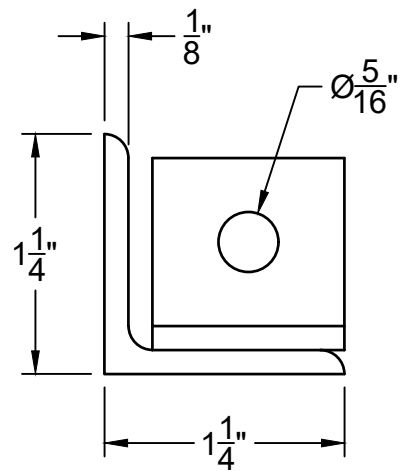



**FIRST PART APPROVAL REQUIRED**  
 APPROVED BY \_\_\_\_\_  
 DATE \_\_\_\_\_



		TITLE	
		7' corner angle	
SIZE	COLOR	DWG NO	REV
B	Dk Gray	301271	
DRAWN	Jesse Pifer	2/21/2024	SCALE 1:8.5
		WEIGHT 7 lbs	SHEET 1/1