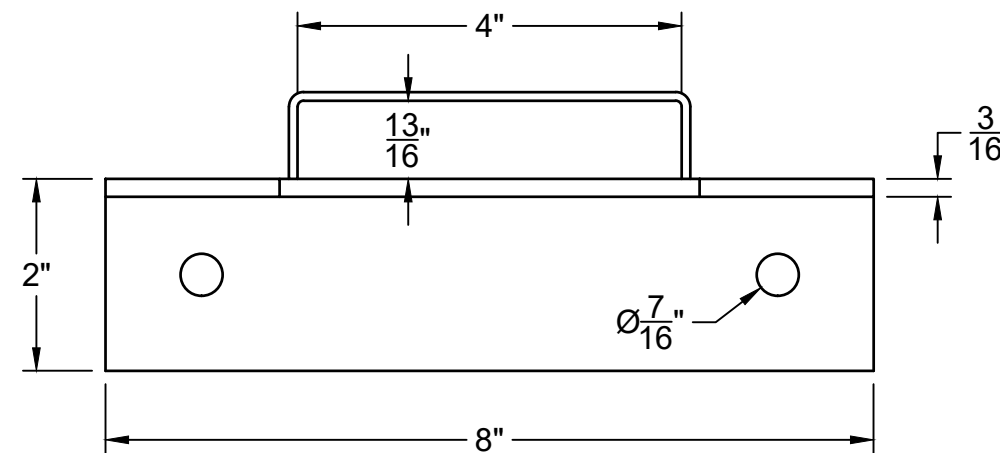


FIRST PART APPROVAL REQUIRED
 APPROVED BY _____
 DATE _____



		TITLE 10' Channel Line Post		
		SIZE B	COLOR Dk Gray	DWG NO 301254
DRAWN Jesse Pifer	2/21/2024	SCALE 1:12.5	WEIGHT 19 lbs	SHEET 1/1