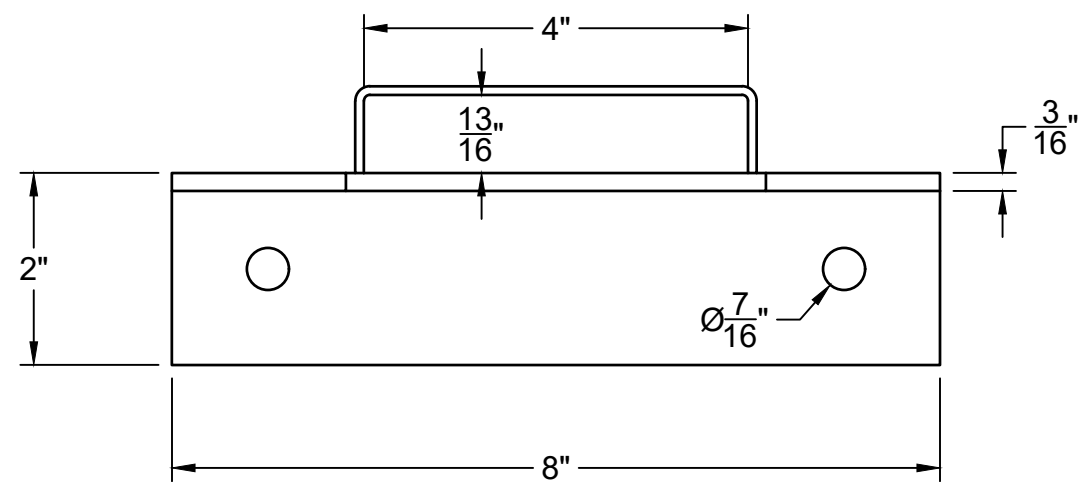
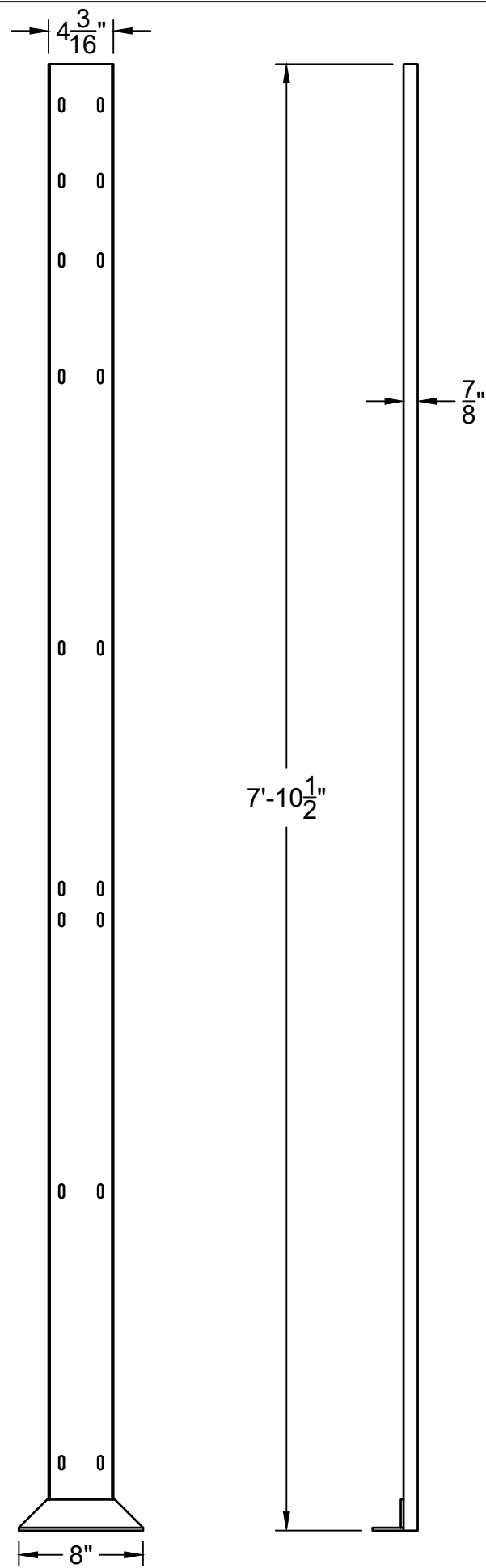


FIRST PART APPROVAL REQUIRED
 APPROVED BY _____
 DATE _____



TITLE
8' Channel Line Post

SIZE	COLOR	DWG NO	REV
B	Dk Gray	301252	

DRAWN Jesse Pifer 2/21/2024 SCALE 1:10 WEIGHT 16 lbs SHEET 1/1