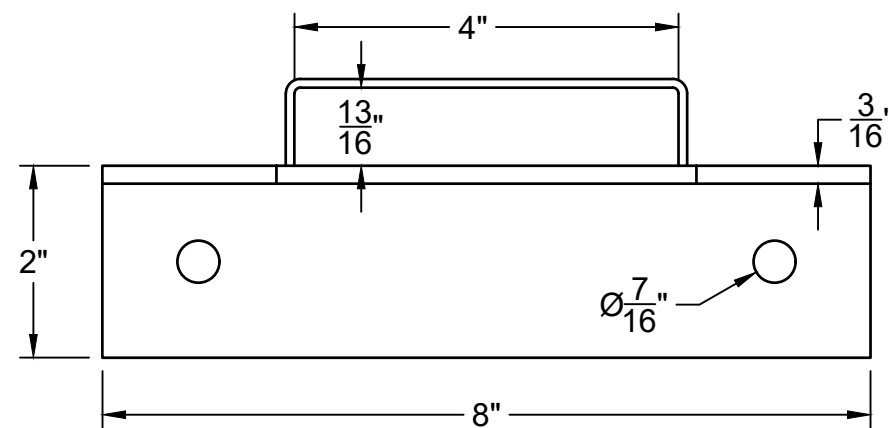


**FIRST PART APPROVAL REQUIRED**  
 APPROVED BY \_\_\_\_\_  
 DATE \_\_\_\_\_



		TITLE <b>7' Channel Line post</b>		
		SIZE B	COLOR Dk Gray	DWG NO 301251
DRAWN Jesse Pifer	2/21/2024	SCALE 1:8.5	WEIGHT 14 lbs	SHEET 1/1