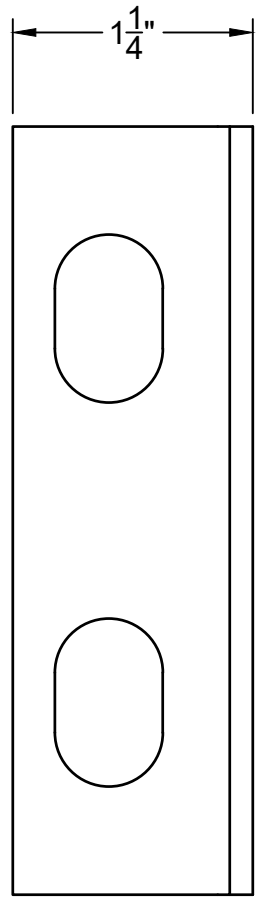
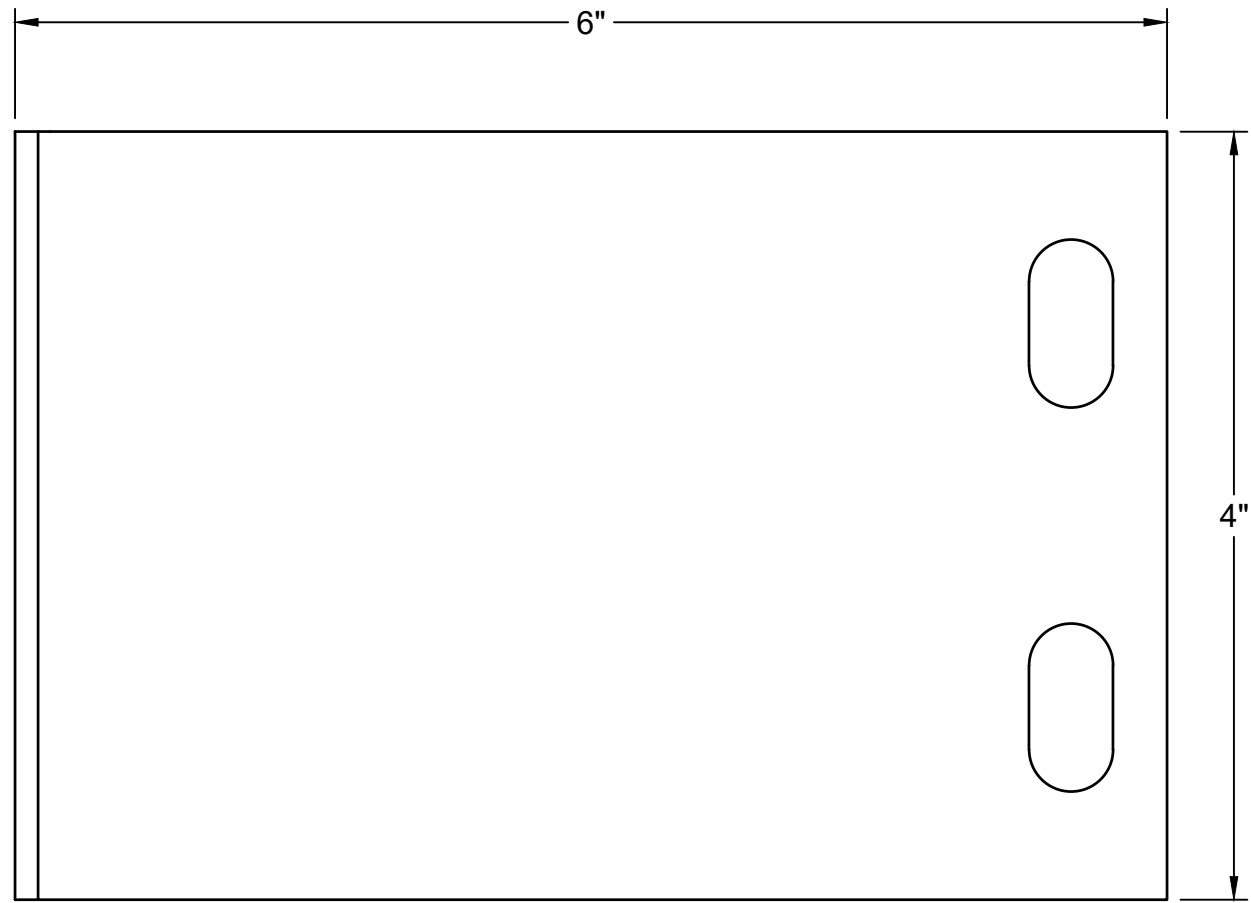
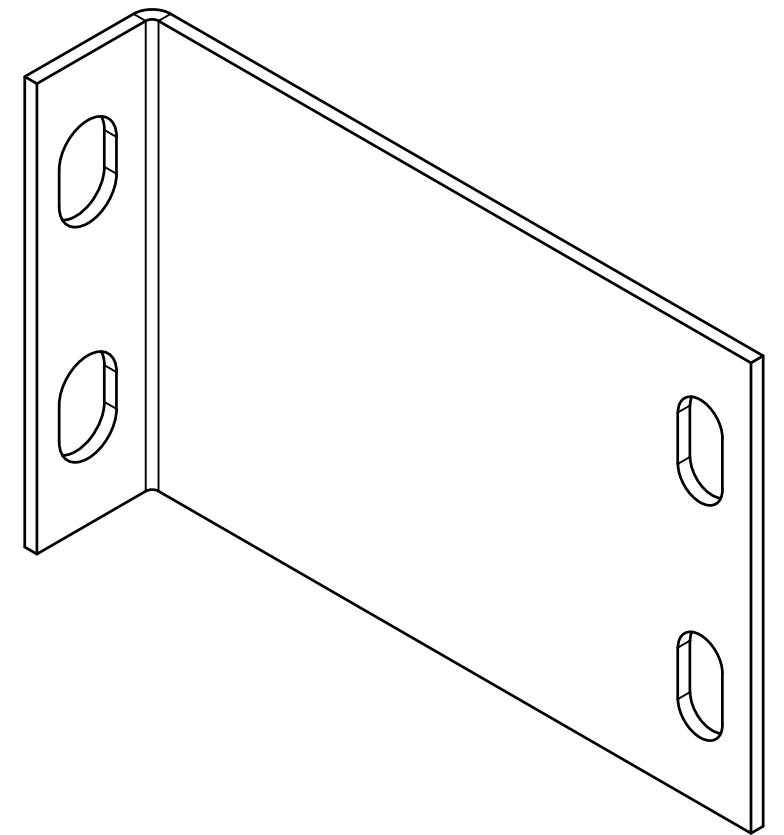



**FIRST PART
APPROVAL REQUIRED**
 APPROVED BY _____
 DATE _____



Set of 4



 WIRE & IRON PRODUCTS CO. A DIV. OF JESCO INDUSTRIES P.O. BOX 388 950 ANDERSON ROAD LITCHFIELD MI. 49252 PH. # 1-517-542-2903 FAX # 1-517-542-2501		TITLE		
		Palletgard 6" offset clip 2x1 - 10ga mesh		
SIZE	COLOR	DWG NO	REV	
B	Dk Gray	393220		
DRAWN	Jesse Pifer	3/21/2024	SCALE 1:1	WEIGHT 4 lbs
			SHEET 1/1	