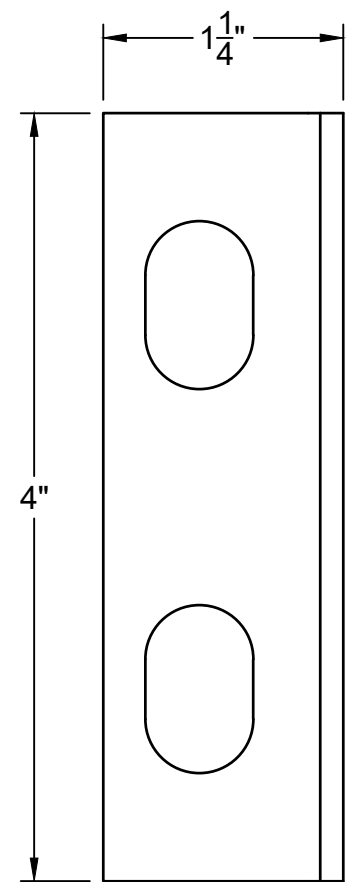
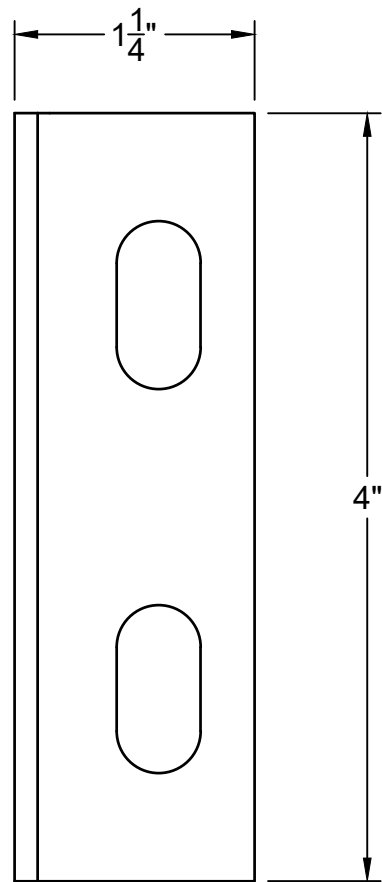
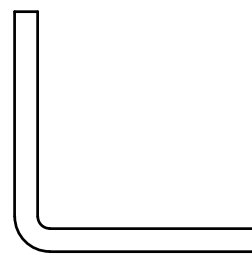
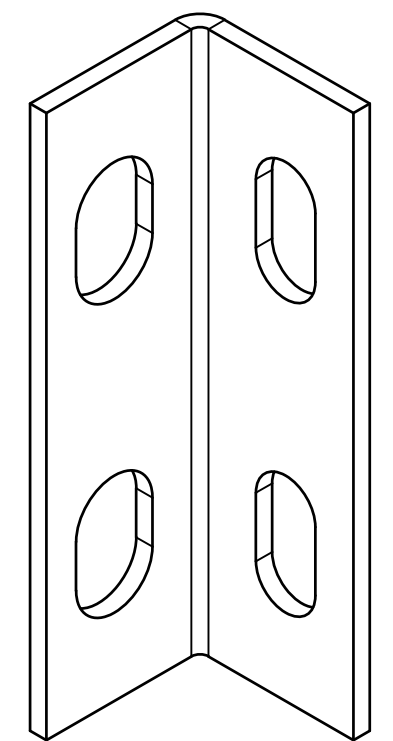



**FIRST PART
APPROVAL REQUIRED**
 APPROVED BY _____
 DATE _____



Set of 4



 WIRE & IRON PRODUCTS CO. A DIV. OF JESCO INDUSTRIES P.O. BOX 388 950 ANDERSON ROAD LITCHFIELD MI. 49252 PH. # 1-517-542-2903 FAX # 1-517-542-2501		TITLE Palletgard Flush clips 2x1 - 10ga mesh		
		SIZE B	COLOR Dk Gray	DWG NO 393200
DRAWN Jesse Pifer	3/21/2024	SCALE 1:1	WEIGHT 2 lbs	SHEET 1/1