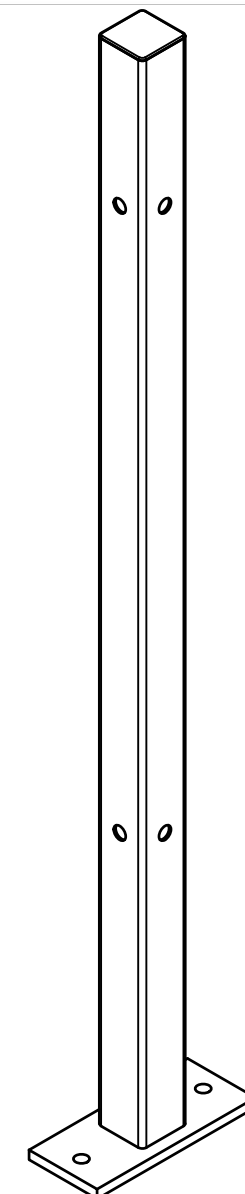
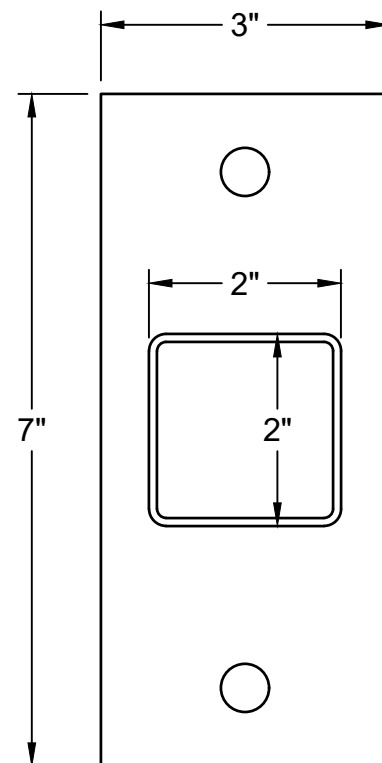
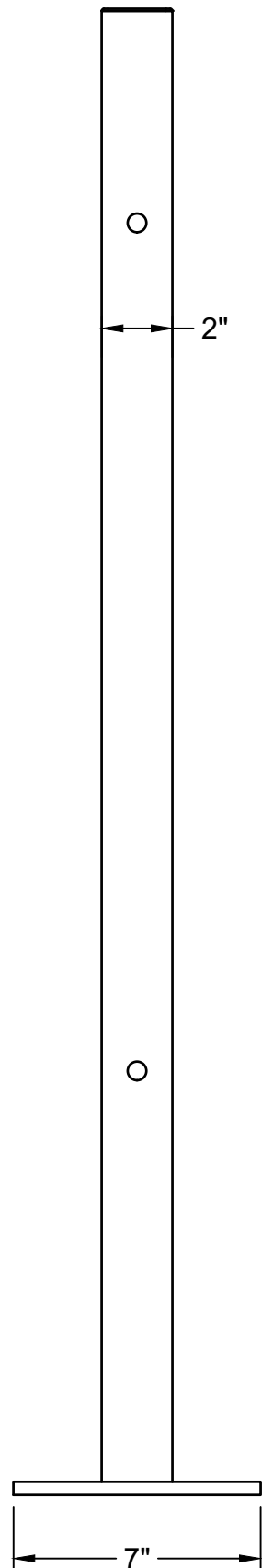
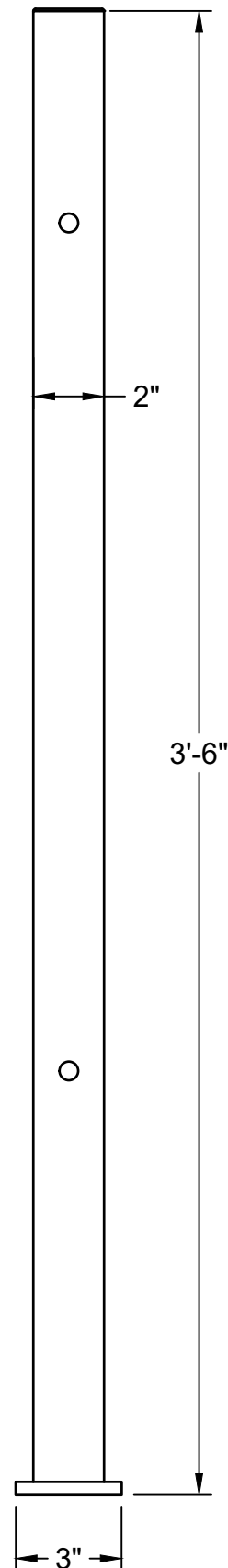



**FIRST PART
APPROVAL REQUIRED**
 APPROVED BY _____
 DATE _____



 WIRE & IRON PRODUCTS CO. A DIV. OF JESCO INDUSTRIES P.O. BOX 388 950 ANDERSON ROAD LITCHFIELD MI. 49252 PH. # 1-517-542-2903 FAX # 1-517-542-2501		TITLE		
		Aisle Gard post		
SIZE	COLOR	DWG NO	REV	
B	Safety Yellow	392981		
DRAWN	Jesse Pifer	4/9/2024	SCALE 1:5	WEIGHT 10 lbs
			SHEET 1/1	