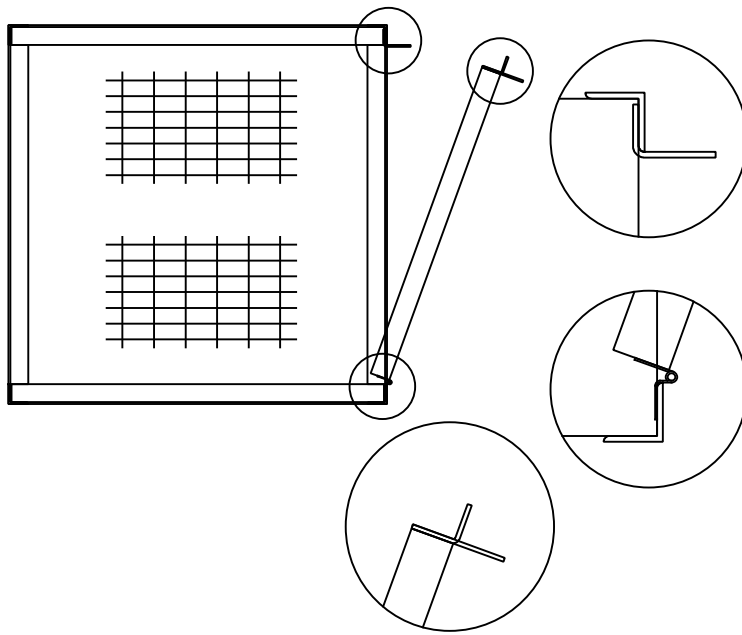


TOP VIEW



DESCRIPTION

36" 3 DOOR STORAGE
LOCKER WITH 2 X 1 MESH

DRAWN BY

SJ

SCALE

MATERIAL

CHK'D

DATE

12/19/02

DRAWING NO.

TRACED

APP'D

383180

FIRST PART
APPROVAL REQUIRED
APPROVED BY _____
DATE _____