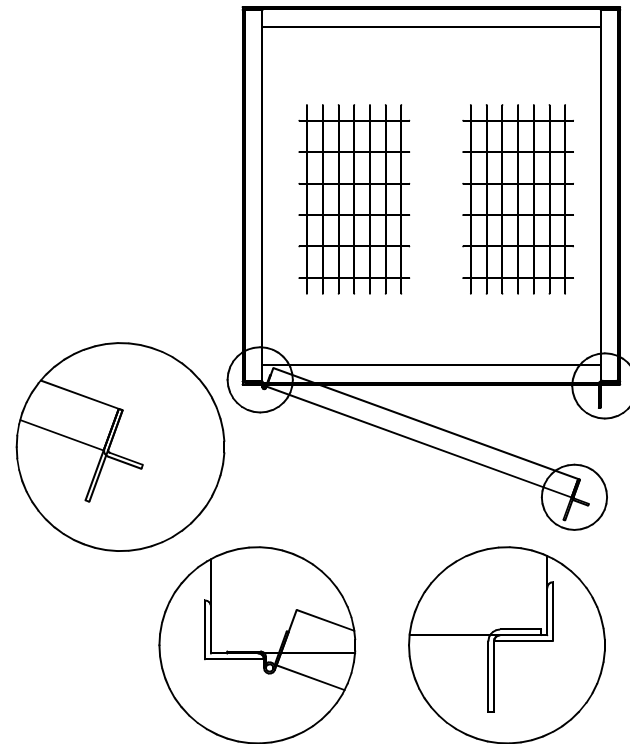


**TOP VIEW**



FIRST PART  
APPROVAL REQUIRED  
APPROVED BY \_\_\_\_\_  
DATE \_\_\_\_\_

DESCRIPTION		30" 3 DOOR STORAGE LOCKER WITH 2 X 1 MESH	
DRAWN BY	SJ	SCALE	MATERIAL
CHK'D		DATE	12/19/02
TRACED		APP'D	
			DRAWING NO. 383160