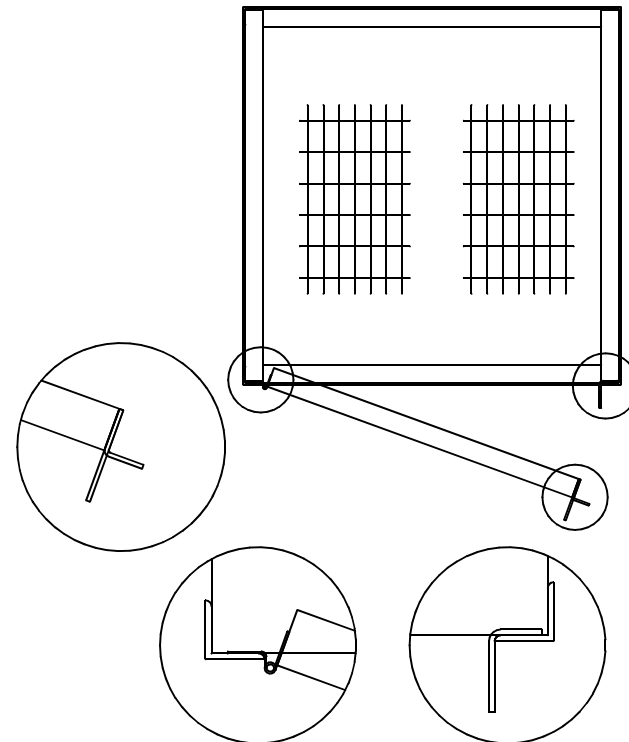


TOP VIEW



FIRST PART
APPROVAL REQUIRED
APPROVED BY _____
DATE _____

DESCRIPTION		18" 3 DOOR STORAGE LOCKER WITH 2 X 1 MESH	
DRAWN BY	SJ	SCALE	MATERIAL
CHK'D		DATE	12/19/02
TRACED		APP'D	383120