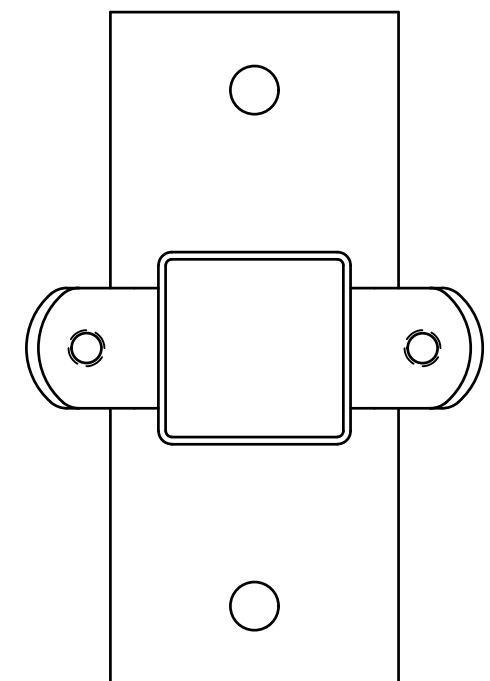


FIRST PART APPROVAL REQUIRED
 APPROVED BY _____
 DATE _____



		TITLE		
		EEZY Stak 5'-8" Line post		
SIZE	COLOR	DWG NO	REV	
B	Safety Yellow	336253		
DRAWN	Jesse Pifer	3/18/2024	SCALE 1:7	WEIGHT 15 lbs
			SHEET 1/1	