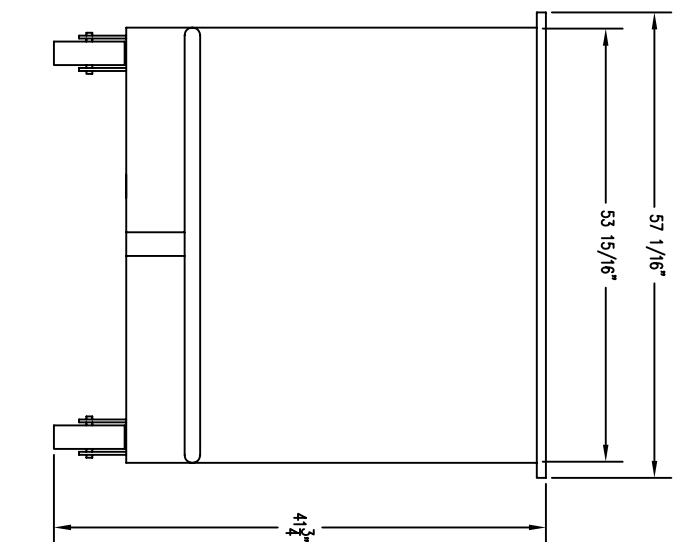
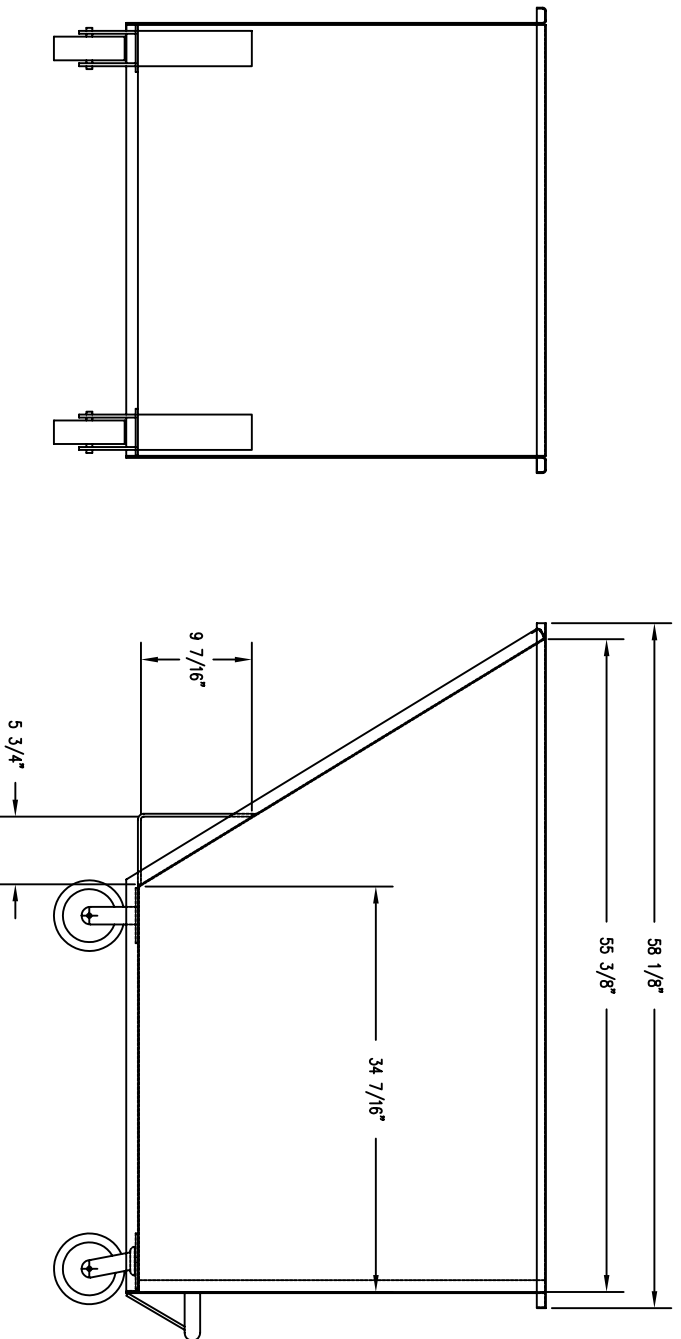
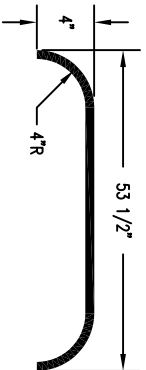


FIRST PART
 APPROVAL REQUIRED
 APPROVED BY _____
 DATE _____



FRONT ELEVATION

SIDE ELEVATION

BACK ELEVATION

NO.	REVISIONS	BY	DATE
4	ITEM 4 REV FROM 827 L	SL	8-29-94
3	UPROKED/ ADDED SHOPORDER	SL	8-4-94
2	REV PART NOS. & TITLE	TOM	6-4-94
1	BROKE OUT TO SEPERATE DWGS.	SAJ	1-18-94

2 YARD STEEL TILT TRUCK	
DESIGNED BY	GAS
DATE	1 1/2" = 1"
REVISED BY	4-11-94
DATE	271251