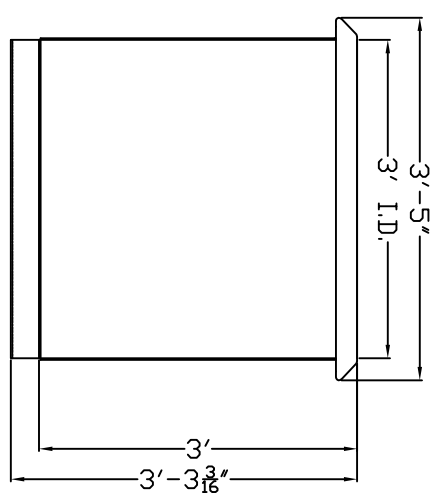
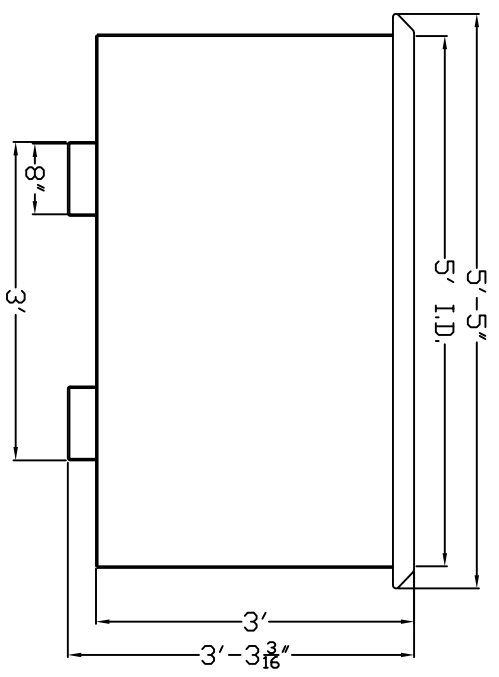
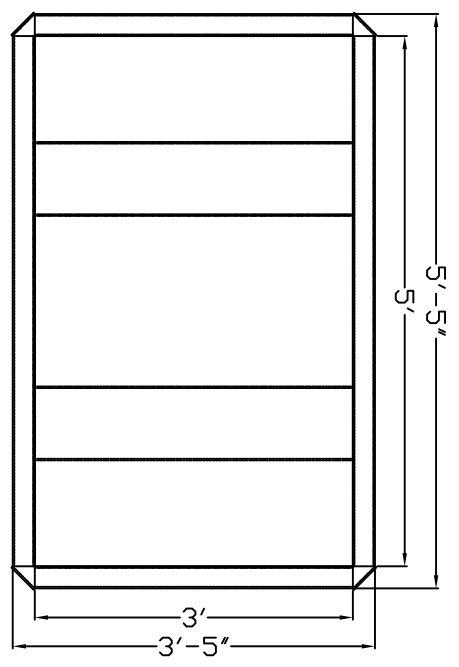


FIRST PART
 APPROVAL REQUIRED
 APPROVED BY _____
 DATE _____



NO.	DESCRIPTION	BY	DATE
C	REVISED SIDE BENDS	JP	5/12/16
B	REVISED ITEMS 3&4	JP	6/23/15
A	UPDATED SIZE OF ITEM 1&2	JP	10/18/12

REVISIONS			
DESCRIPTION	DRAWN BY	SCALE	MATERIAL
ROTATOR BOX - 1.67 YD 36"X60"X36"	JP		
CHK'D	DATE		DRAWING NO.
TRACED	11-30-10		260030
	APP'D		