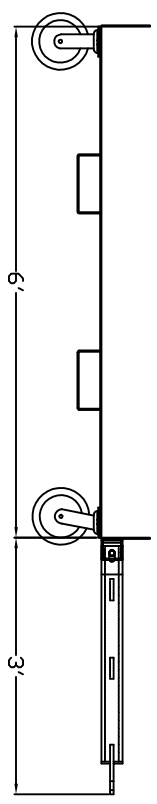
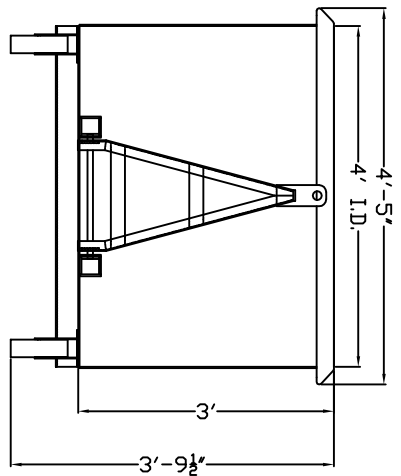
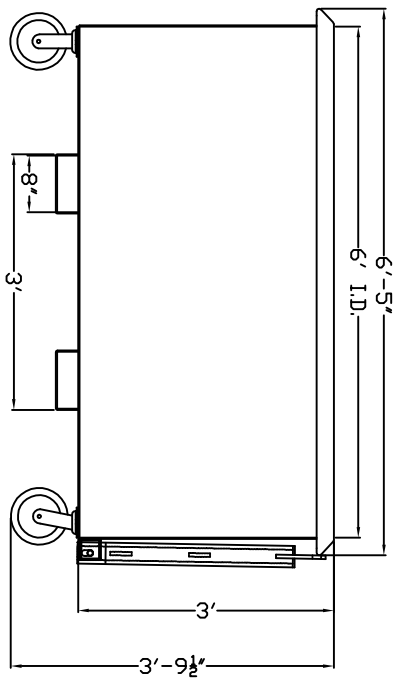
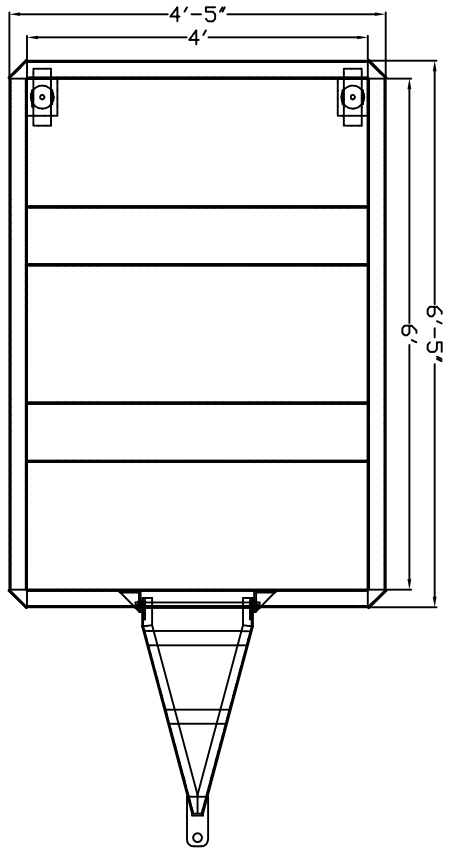


STANDARD COLOR : VISTA GREEN



FIRST PART  
 APPROVAL REQUIRED  
 APPROVED BY \_\_\_\_\_  
 DATE \_\_\_\_\_

NO.	DESCRIPTION	BY	DATE
C	REVISED SIDE BENDS	JP	5/12/16
B	REVISED ITEMS 4&5	JP	6/23/15
A	UPDATED SIZE OF ITEM 1&2	JP	10/18/12

REVISIONS			
NO.	DESCRIPTION	BY	DATE
C	REVISED SIDE BENDS	JP	5/12/16
B	REVISED ITEMS 4&5	JP	6/23/15
A	UPDATED SIZE OF ITEM 1&2	JP	10/18/12

DESCRIPTION	TOWABLE ROTATOR BOX - 2.67YD 48"X72"X36"		
DRAWN BY	JP	SCALE	
CHK'D		DATE	12-1-10
TRACED		APP'D	
		DRAWING NO.	250060