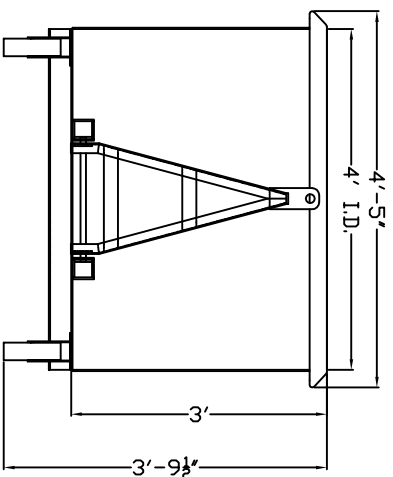
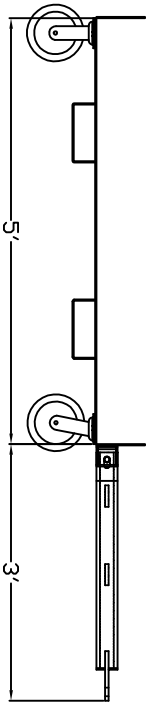
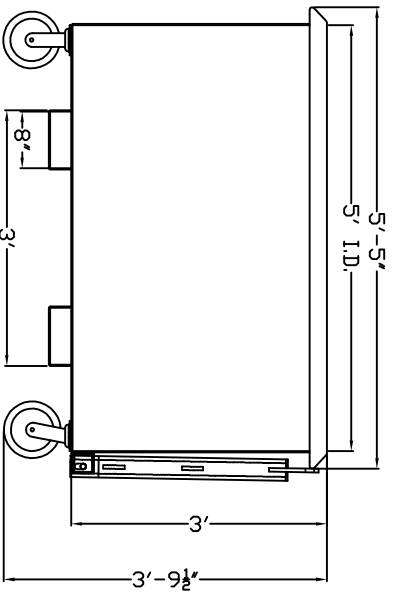
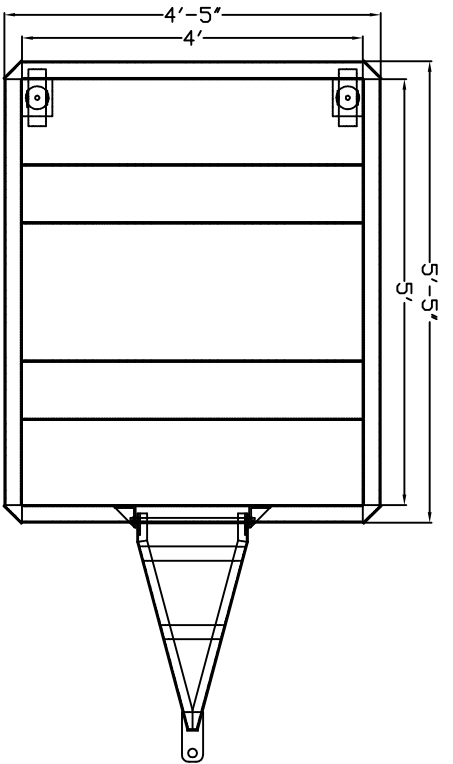


STANDARD COLOR : VISTA GREEN



FIRST PART
 APPROVAL REQUIRED
 APPROVED BY _____
 DATE _____

NO.	DESCRIPTION	BY	DATE
C	REVISED SIDE BENDS	JP	5/12/16
B	REVISED ITEMS 4&5	JP	6/23/15
A	UPDATED SIZE OF ITEM 1&2	JP	10/18/12

REVISIONS			
NO.	DESCRIPTION	BY	DATE
	DESCRIPTION	DRAWN BY	SCALE
	TOWABLE ROTATOR BOX - 2.25YD	JP	
	48"X60"X36"		
	CHK'D	DATE	DRAWING NO.
		12-1-10	250050
	TRACED	APP'D	