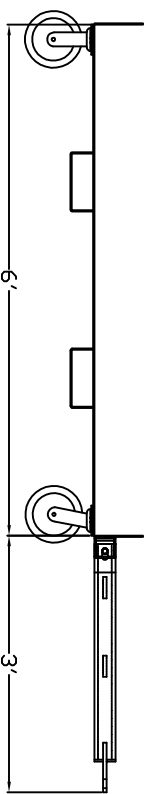
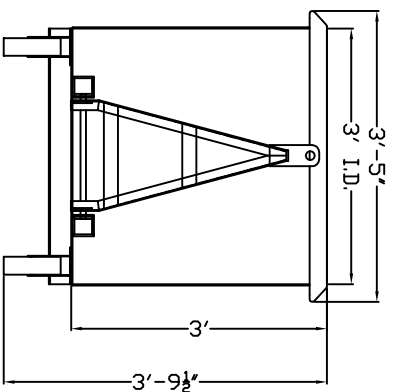
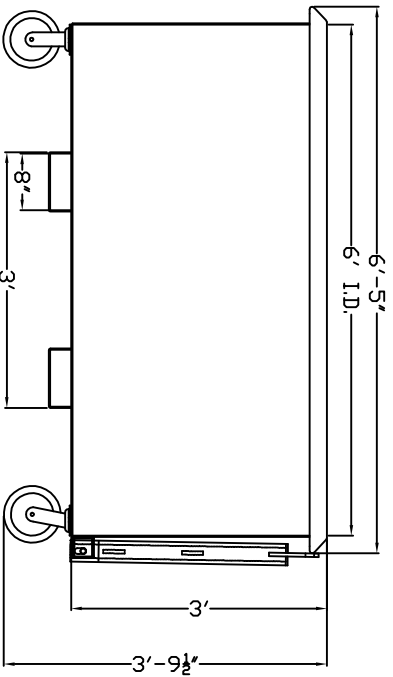
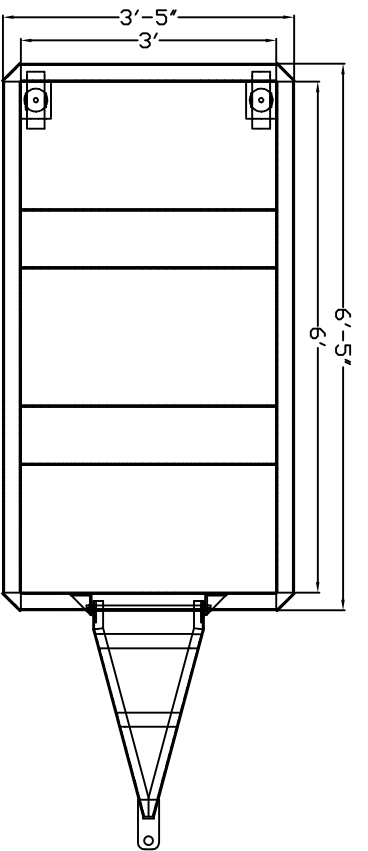


STANDARD COLOR : VISTA GREEN



FIRST PART
 APPROVAL REQUIRED
 APPROVED BY _____
 DATE _____

NO.	DESCRIPTION	BY	DATE
C	REVISED SIDE BENDS	JP	5/12/16
B	REVISED ITEMS 4&5	JP	6/23/15
A	UPDATED SIZE OF ITEM 1&2	JP	10/18/12

REVISIONS			
NO.	DESCRIPTION	BY	DATE
DESCRIPTION TOWABLE ROTATOR BOX - 2YD 36" X 72" X 36"			
DRAWN BY JP		SCALE	
CHK'D	DATE	DRAWING NO.	
TRACED	12-1-10	250020	
APPR'D			