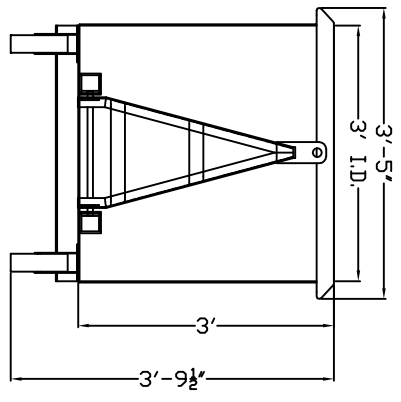
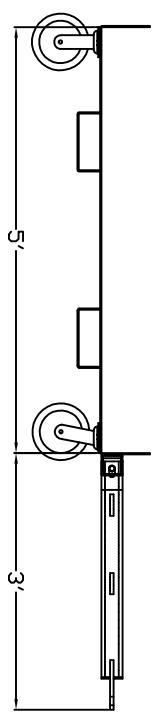
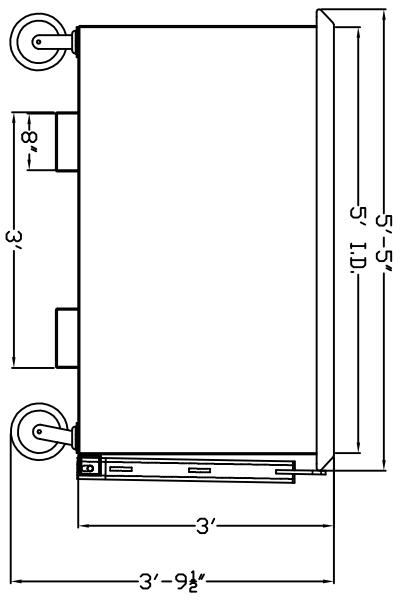
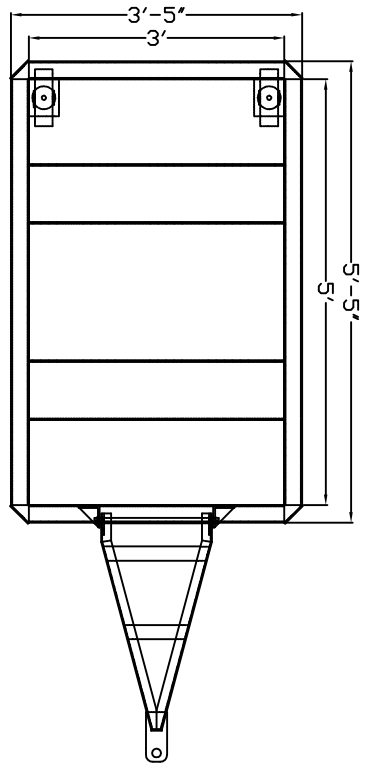


STANDARD COLOR : VISTA GREEN



FIRST PART  
 APPROVAL REQUIRED  
 APPROVED BY \_\_\_\_\_  
 DATE \_\_\_\_\_

NO.	DESCRIPTION	BY	DATE
C	REVISED SIDE BENDS	JP	5/12/16
B	REVISED ITEMS 4&5	JP	6/23/15
A	UPDATED SIZE OF ITEM 1&2	JP	10/18/12

REVISIONS			
NO.	DESCRIPTION	BY	DATE
DESCRIPTION TOWABLE ROTATOR BOX-1.67 YD 36"X60"X36"			
DRAWN BY	SCALE	MATERIAL	
CHK'D	DATE	DRAWING NO.	
TRACED	APP'D	250010	