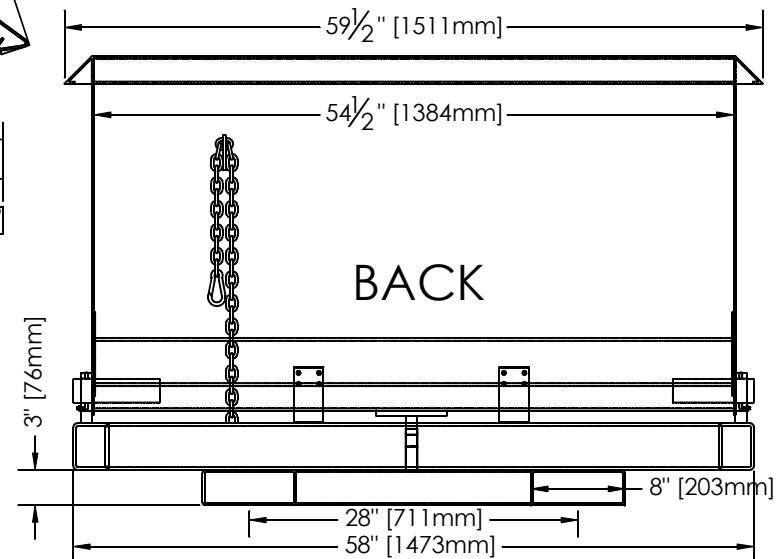
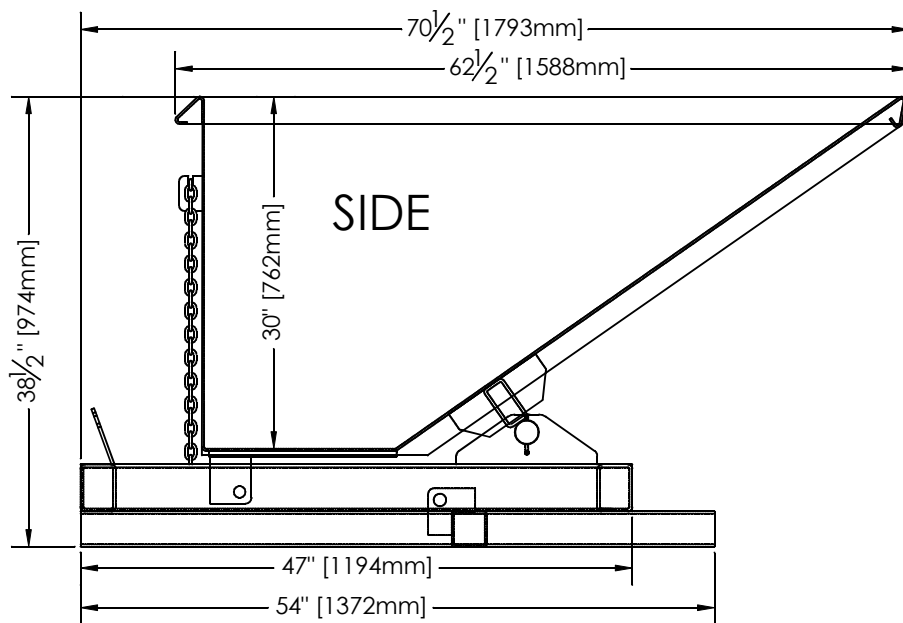
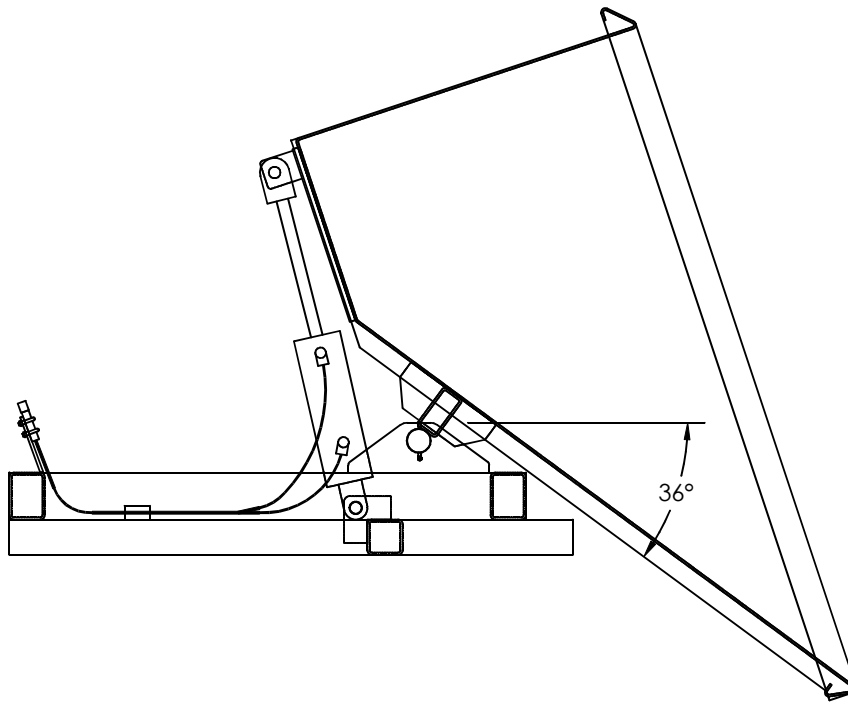


jesco®

~Since
1932~

FIRST PART
APPROVAL REQUIRED

APPROVED BY
DATE



ALL DIMENSIONS ARE APPROXIMATE

DESCRIPTION		JESCOHYDRATILT®	
		1.50 YD DUMPER - WITH HYDRAULIC CONTROL	
DRAWN BY	SJ	SCALE	MATERIAL
CHK'D		DATE	10/23/03
TRACED		APP'D	
			DRAWING NO. 213541