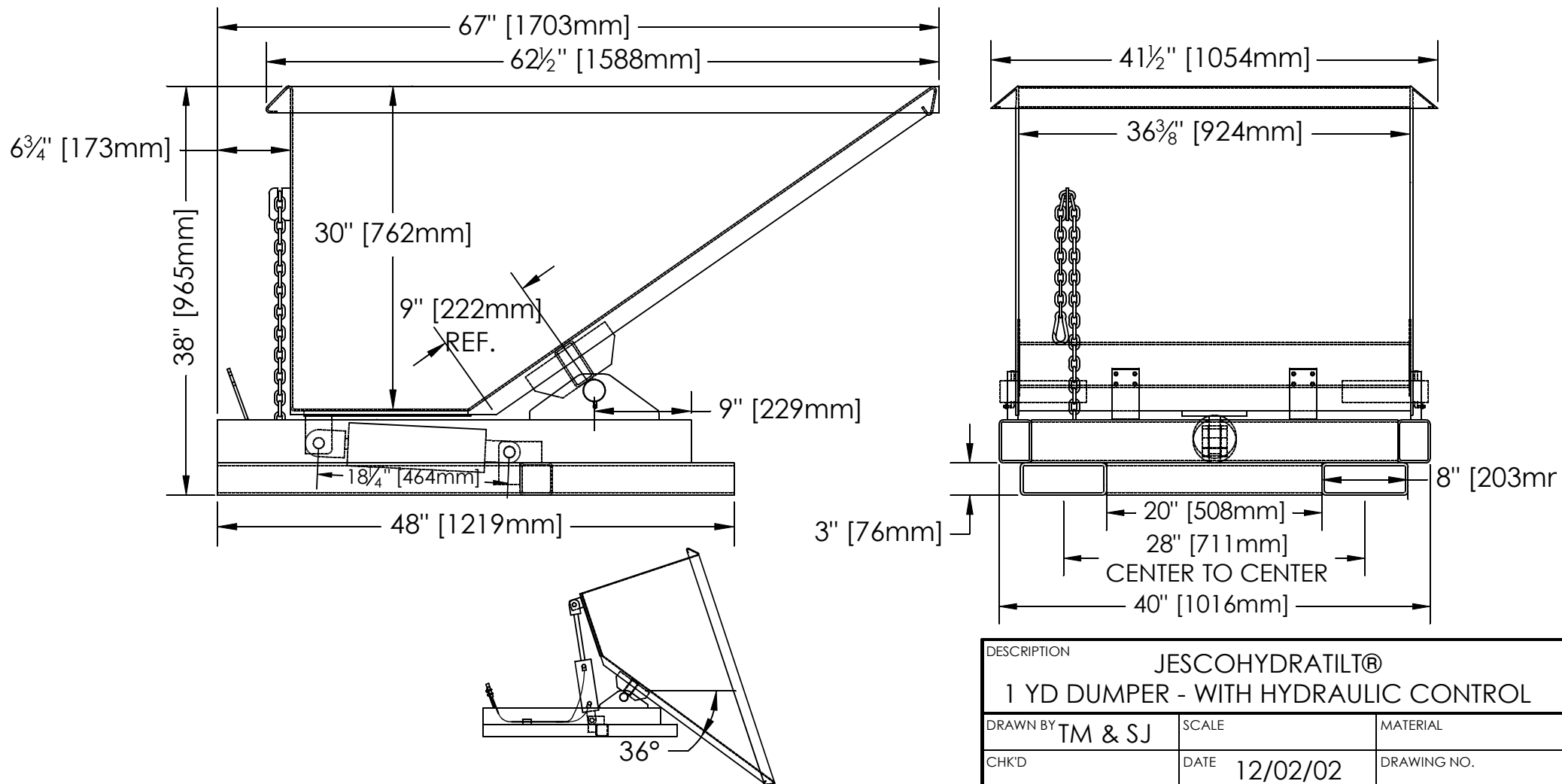


FIRST PART
APPROVAL REQUIRED

APPROVED BY
DATE

jesco®

~Since
1932~



ALL DIMENSIONS ARE APPROXIMATE

DESCRIPTION		
JESCOHYDRATILT®		
1 YD DUMPER - WITH HYDRAULIC CONTROL		
DRAWN BY	SCALE	MATERIAL
TM & SJ		
CHK'D	DATE	DRAWING NO.
	12/02/02	
TRACED	APP'D	213531