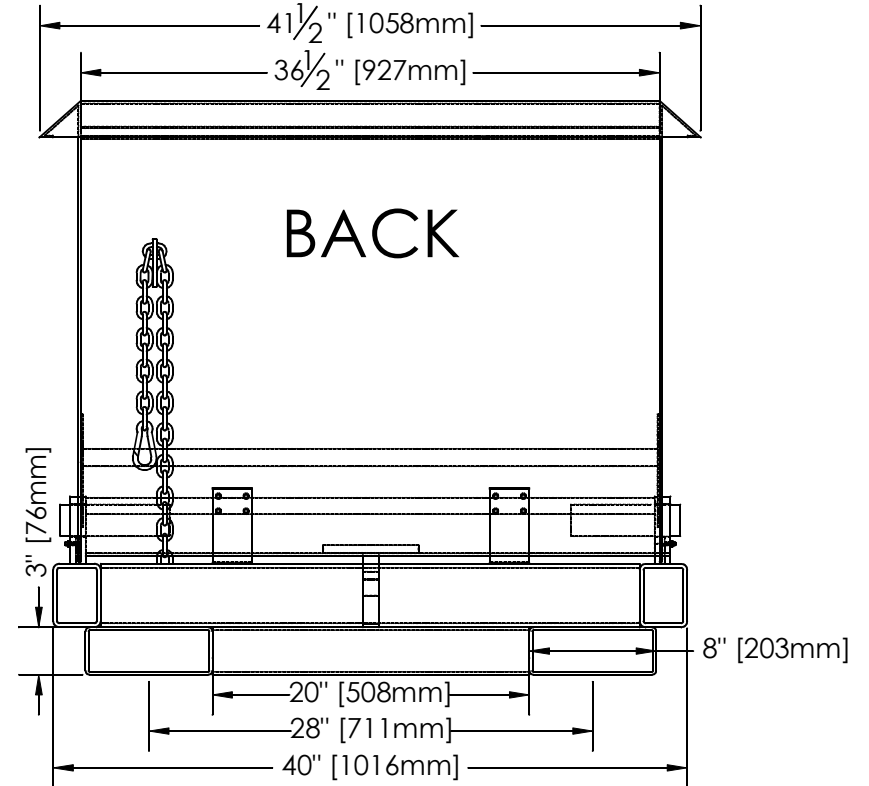
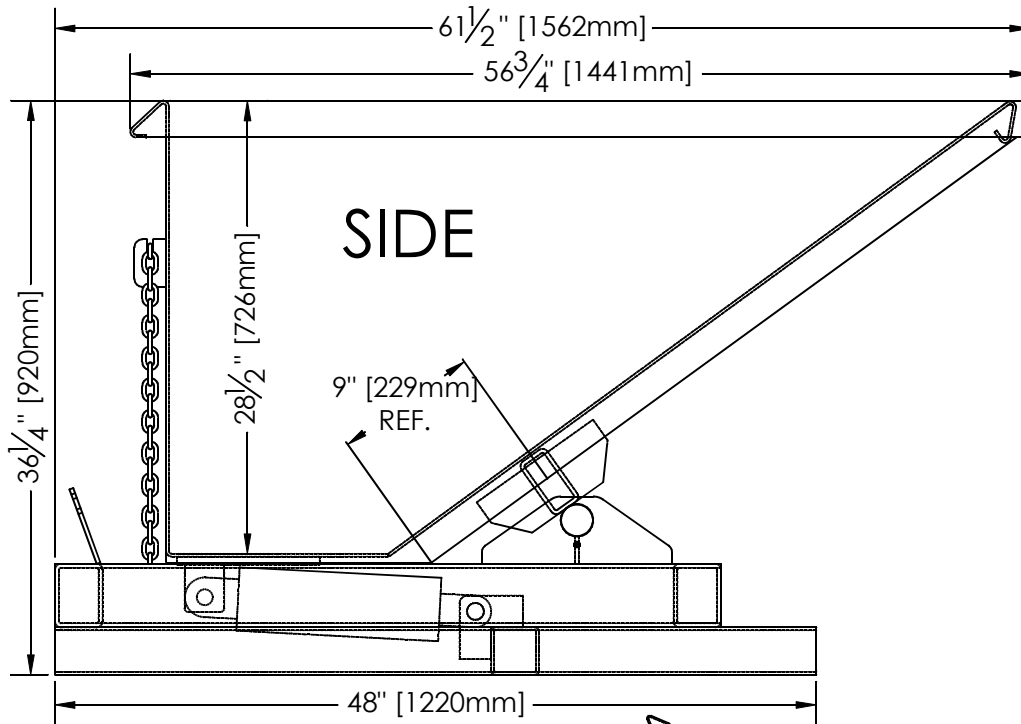


FIRST PART  
APPROVAL REQUIRED

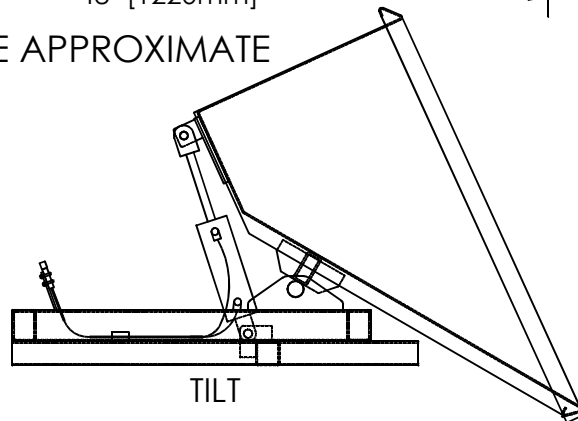
APPROVED BY  
DATE

**jesco**®

~Since  
1932~



ALL DIMENSIONS ARE APPROXIMATE



DESCRIPTION		JESCOHYDRATILT®	
		.75 YD DUMPER - WITH HYDRAULIC CONTROL	
DRAWN BY	CHILL	SCALE	MATERIAL
CHK'D		DATE	11/13/06
TRACED		APP'D	213521