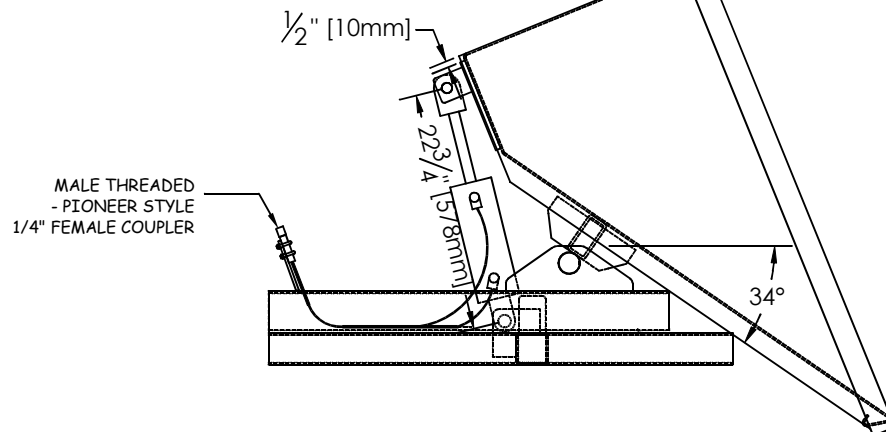
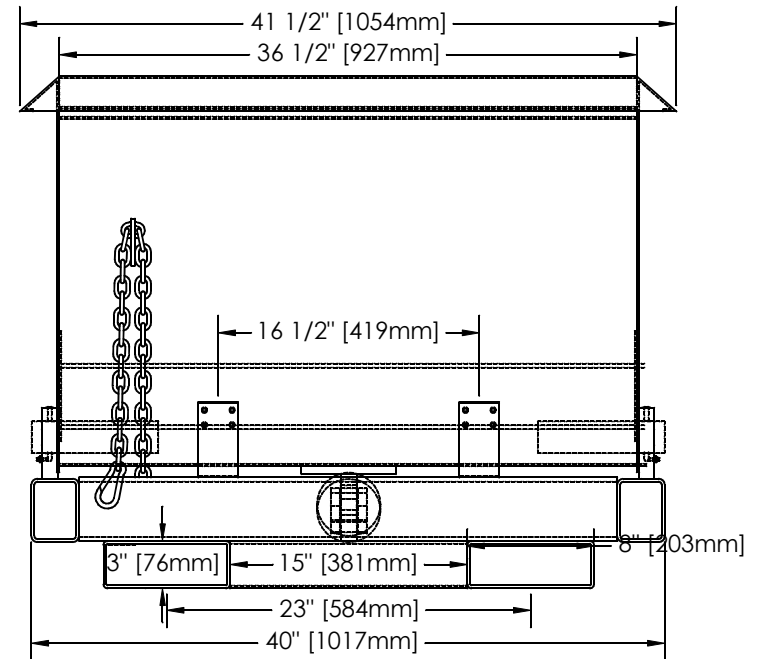
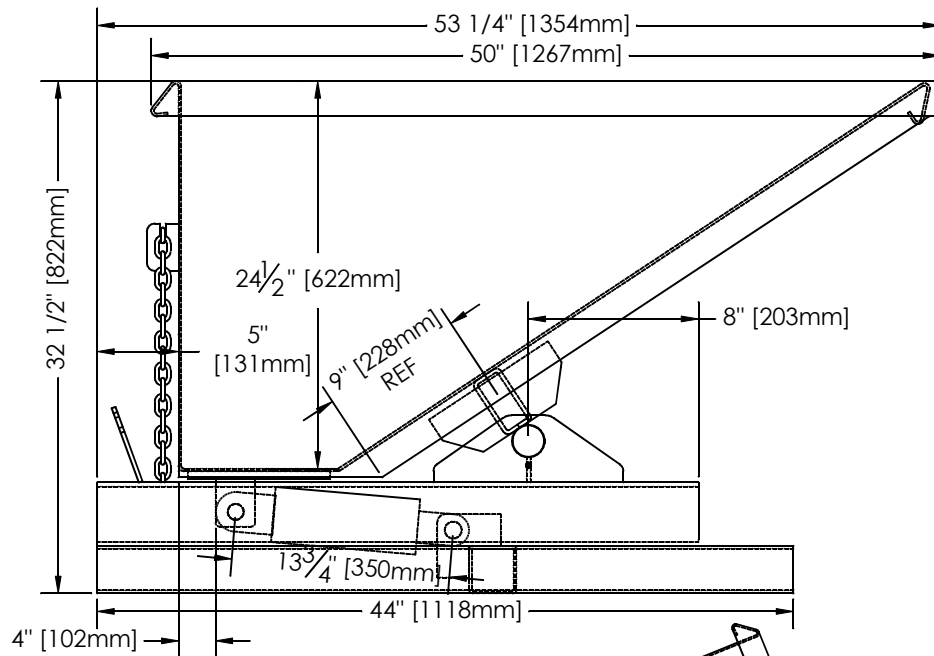


FIRST PART
APPROVAL REQUIRED

APPROVED BY
DATE

jesco®

~Since
1932~



WRAP SAFETY CHAIN TIGHT AROUND FORKLIFT MAST
TO PREVENT DUMPER FROM SLIDING FORWARD

DESCRIPTION		JESCOHYDRATILT® .50 YD DUMPER - WITH HYDRAULIC CONTROL	
DRAWN BY	SJ	SCALE	MATERIAL
CHK'D		DATE	05/27/03
TRACED		APP'D	DRAWING NO. 213511