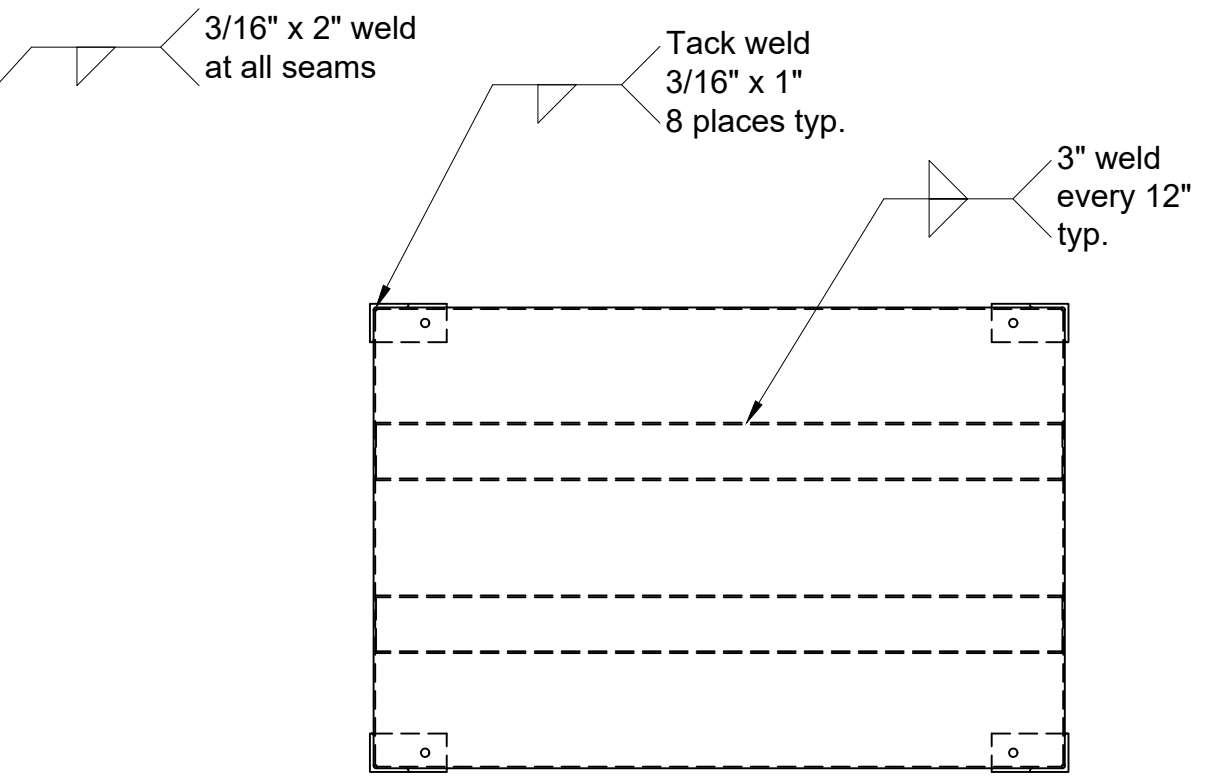

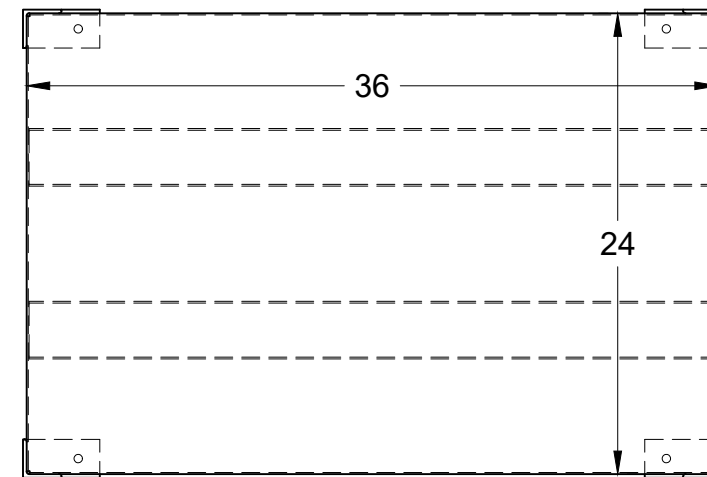
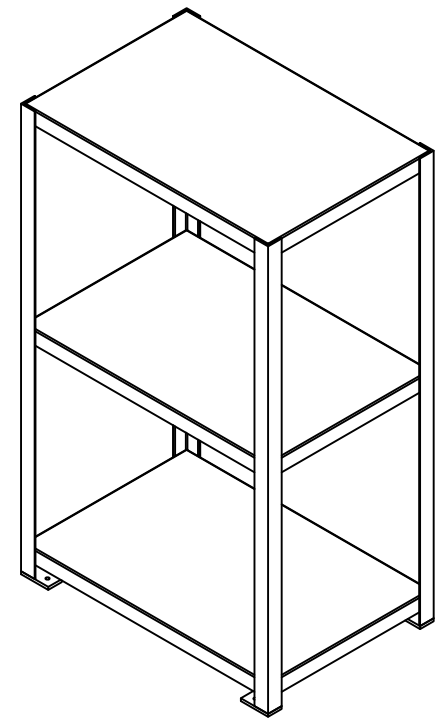
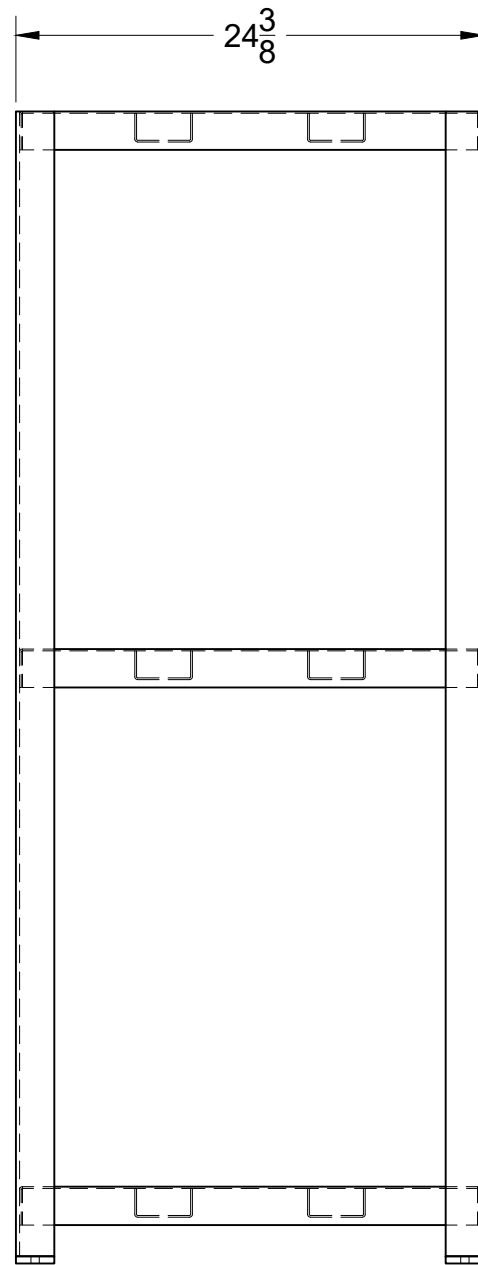
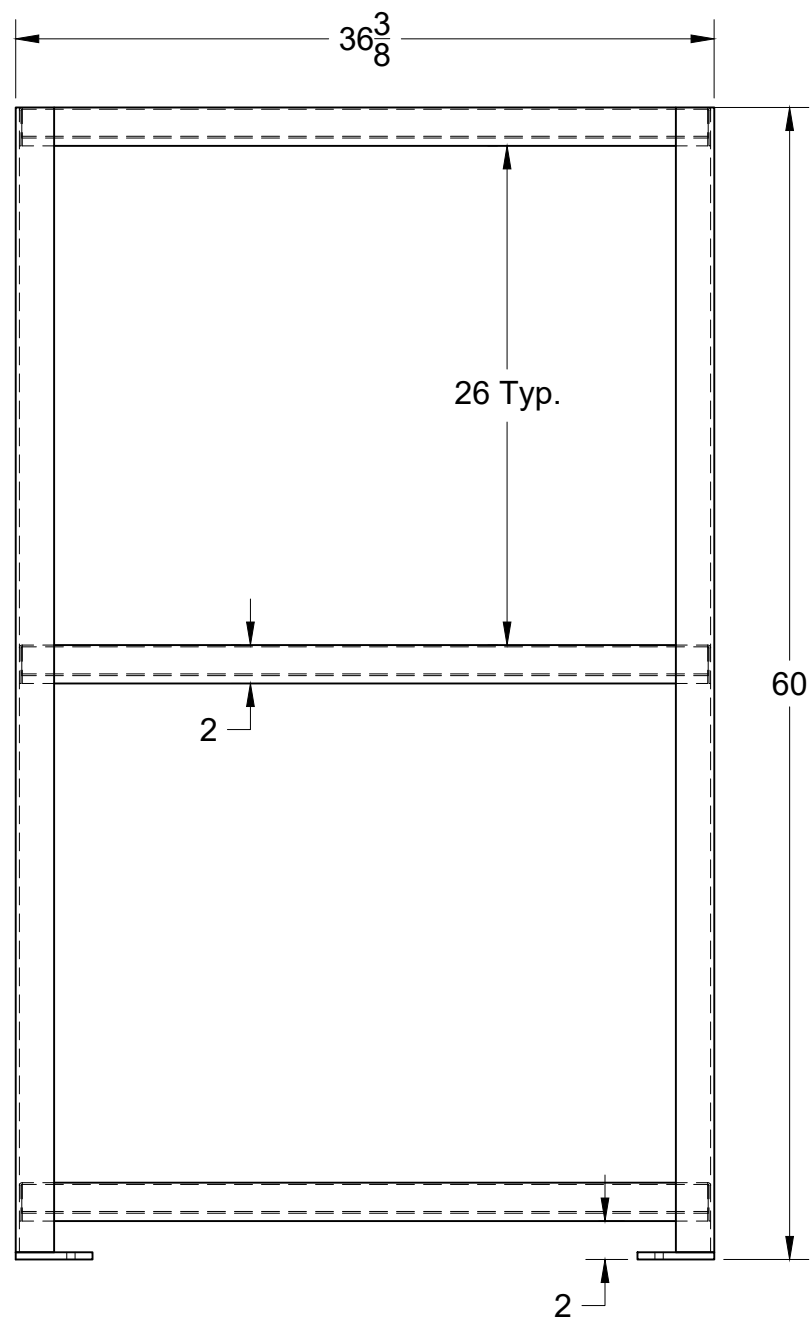


PARTS LIST			
ITEM	QTY	PART NUMBER	DESCRIPTION
1	3	X1034	24" X 36" X 2" PAN
2	4	AB133	2" X 2" X 3/16" ANGLE @ 59 5/8"
3	4	FH218	3/8" X 2" FLAT @ 4"
4	6	X8990	SUPPORT CHANNEL (1 1/2" X X 3" X 35 3/4")
5	1	L0228	LABEL

Lips down on shelves



	PROJECT			HD Die Storage - 175211
	TITLE			Heavy Duty Die Storage Rack 3 shelves (24" x 36")
APPROVED	SIZE	CODE	DWG NO	REV
CHECKED	B		175211	F
DRAWN	Jesse Pifer	8/4/2021	SCALE 1:10	WEIGHT 170#
			SHEET 1/2	



CUSTOMER DRAWING  
APPROVAL

APPROVED BY \_\_\_\_\_  
DATE \_\_\_\_\_



PROJECT

HD Die Storage - 175211

TITLE

Heavy Duty Die Storage Rack  
3 shelves (24" x 36")

APPROVED

CHECKED

DRAWN

Jesse Pifer

8/4/2021

SIZE

B

CODE

DWG NO

175211

REV

F

SCALE 1:10

WEIGHT 170#

SHEET 1/1