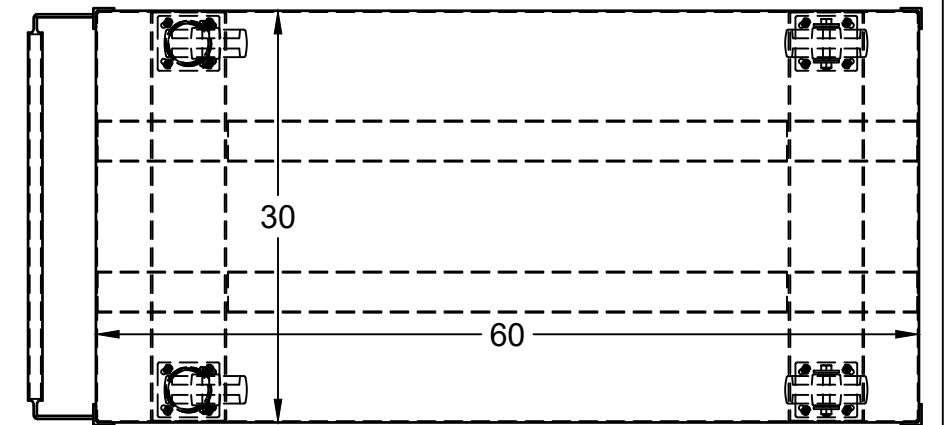
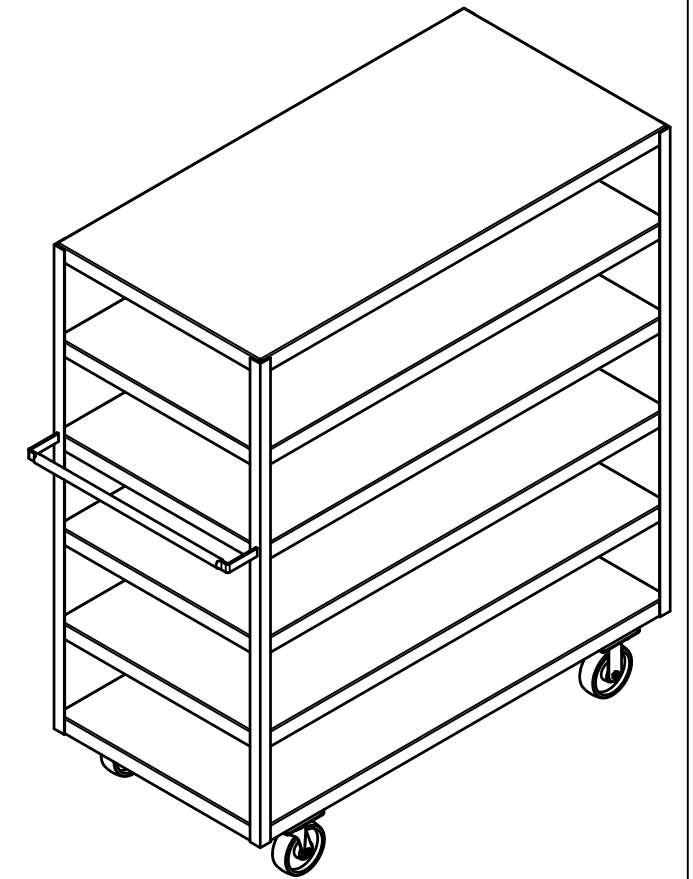
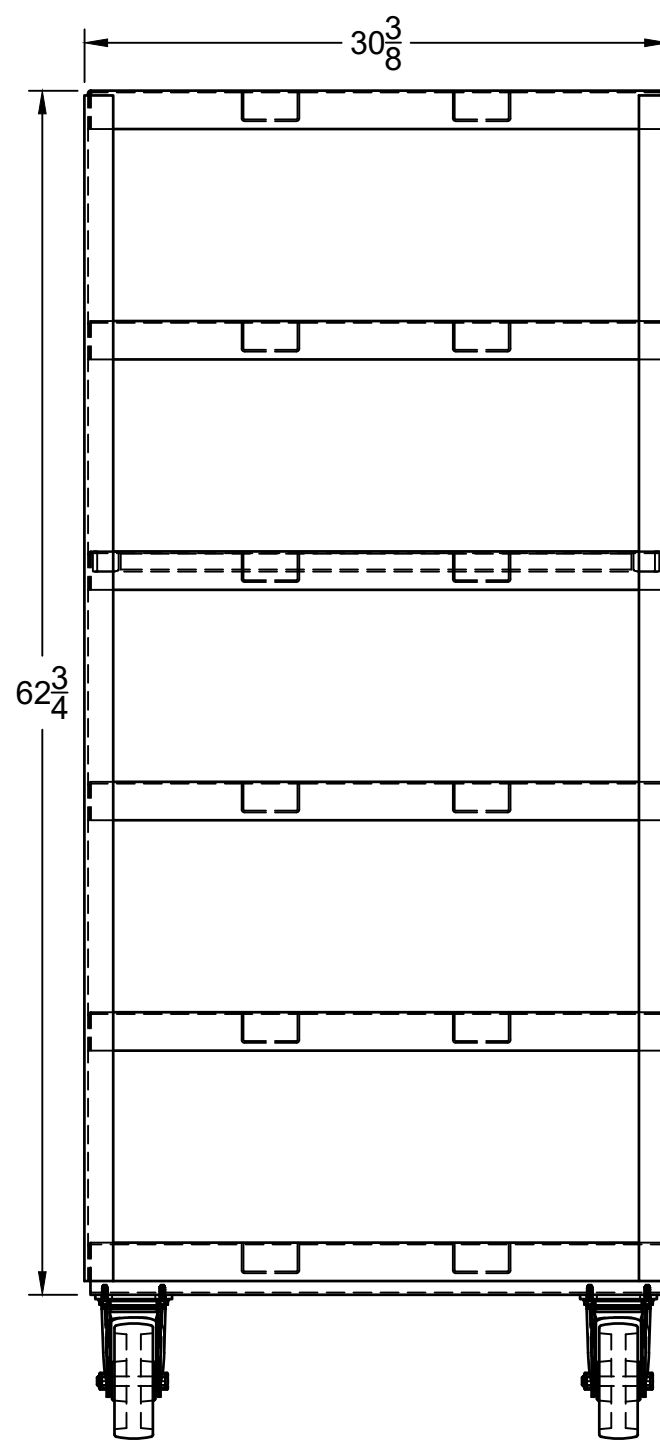



6x2 PH casters
2 swivel & 2 rigid



FIRST PART APPROVAL REQUIRED
APPROVED BY _____
DATE _____

		PROJECT Shelf duty		
		TITLE Shelf duty - 2,000# capacity 60"L x 30"W x 70 1/4"H (6 shelves) w/6x2 phenolic casters		
APPROVED	SIZE	DUTY	DWG NO	REV
CHECKED	B	Heavy	13624C	
DRAWN	Jesse Pifer	2/5/2024	SCALE 1:10	WEIGHT 432 lbs
			SHEET 1/1	