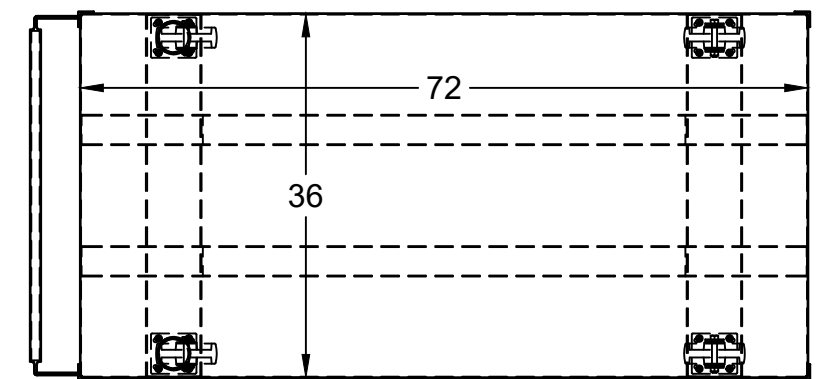
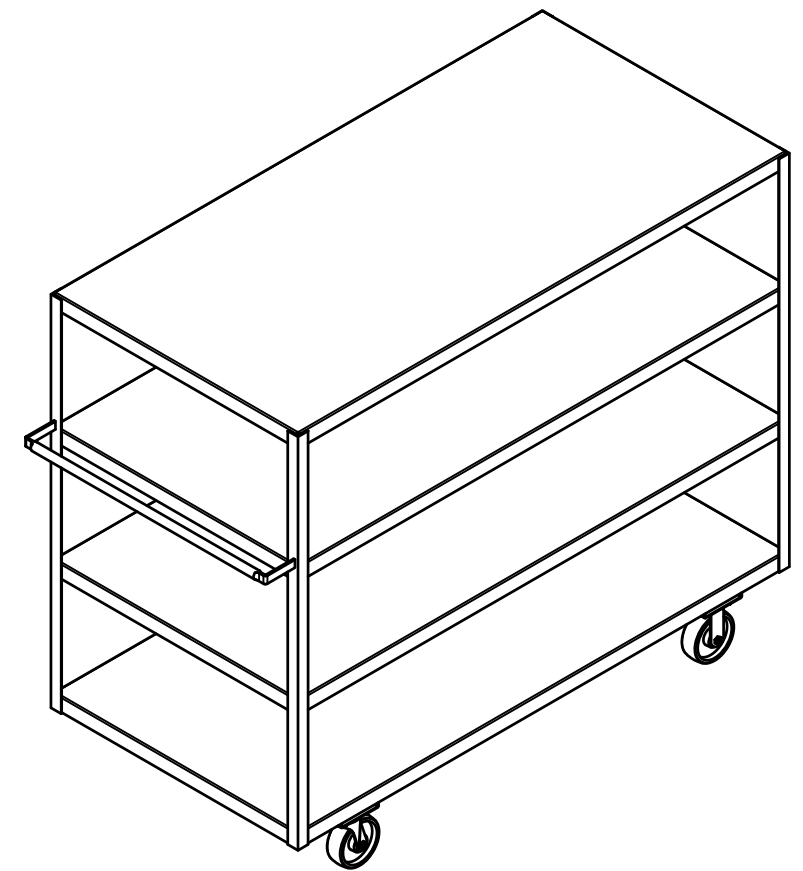
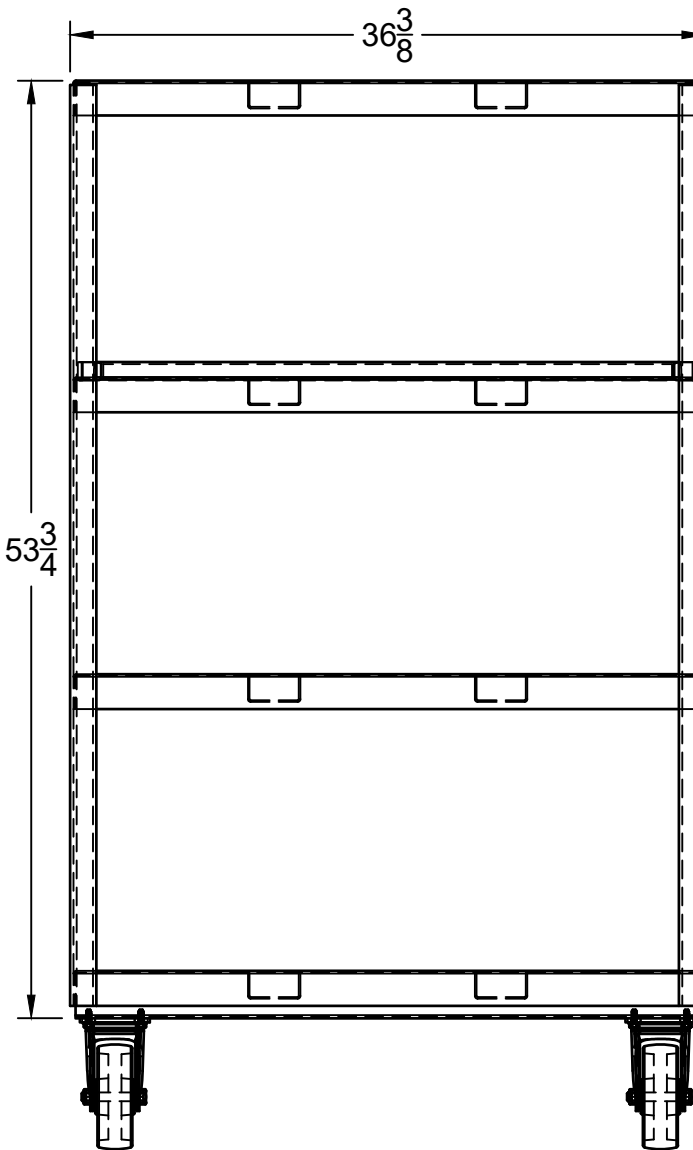


6x2 PH casters
2 swivel & 2 rigid



**FIRST PART
APPROVAL REQUIRED**

APPROVED BY _____
DATE _____



PROJECT

Shelf truck

TITLE

Shelf truck - 2,000# capacity
72"L x 36"W x 61¼"H (4 shelves)
w/6x2 phenolic casters

APPROVED

CHECKED

DRAWN

Jesse Pifer

2/2/2024

SIZE

B

DUTY

Heavy

DWG NO

13508C

REV

SCALE 1:11

WEIGHT 397 lbs

SHEET 1/1