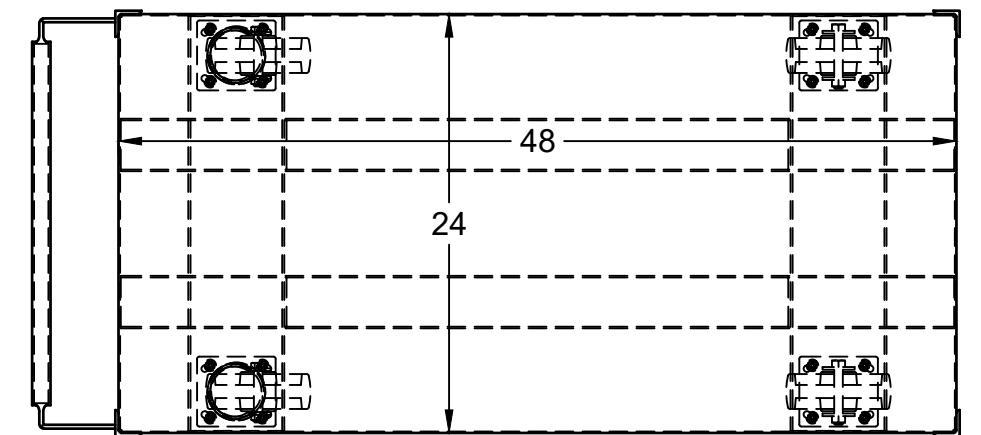
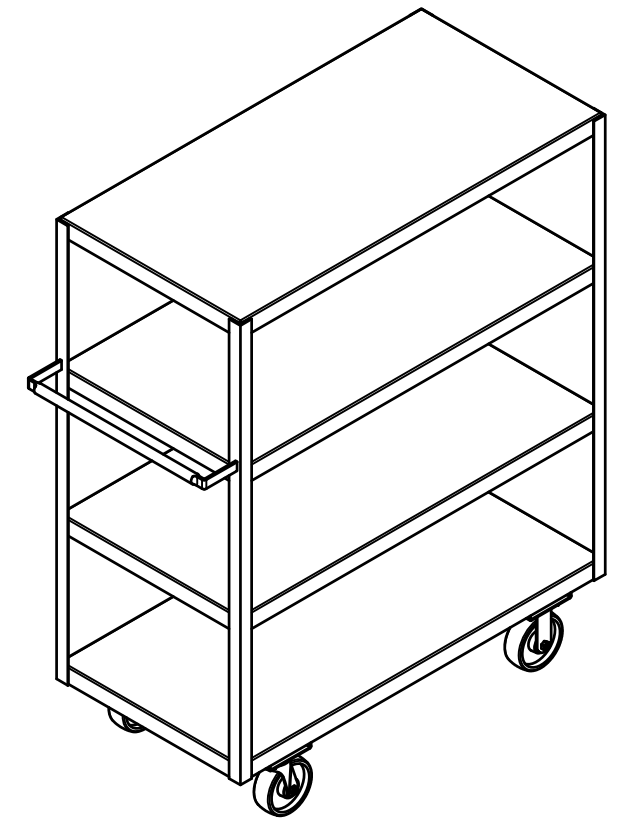
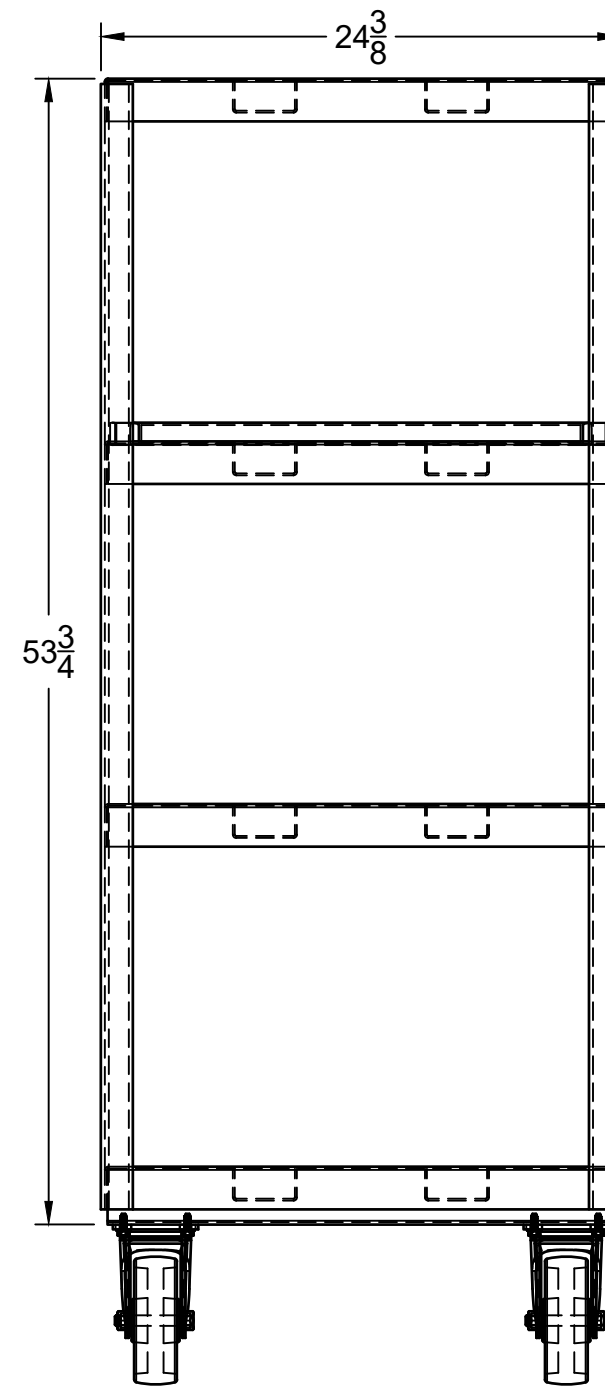


6x2 PH casters
2 swivel & 2 rigid



**FIRST PART
APPROVAL REQUIRED**

APPROVED BY _____
DATE _____



PROJECT

Shelf truck

TITLE

Shelf truck - 2,000# capacity
48"L x 24"W x 61 1/4"H (4 shelves)
w/6x2 phenolic casters

APPROVED	SIZE	DUTY	DWG NO	REV
CHECKED	B	Heavy	13499C	
DRAWN Jesse Pifer 2/2/2024	SCALE 1:9	WEIGHT 231 lbs	SHEET 1/1	