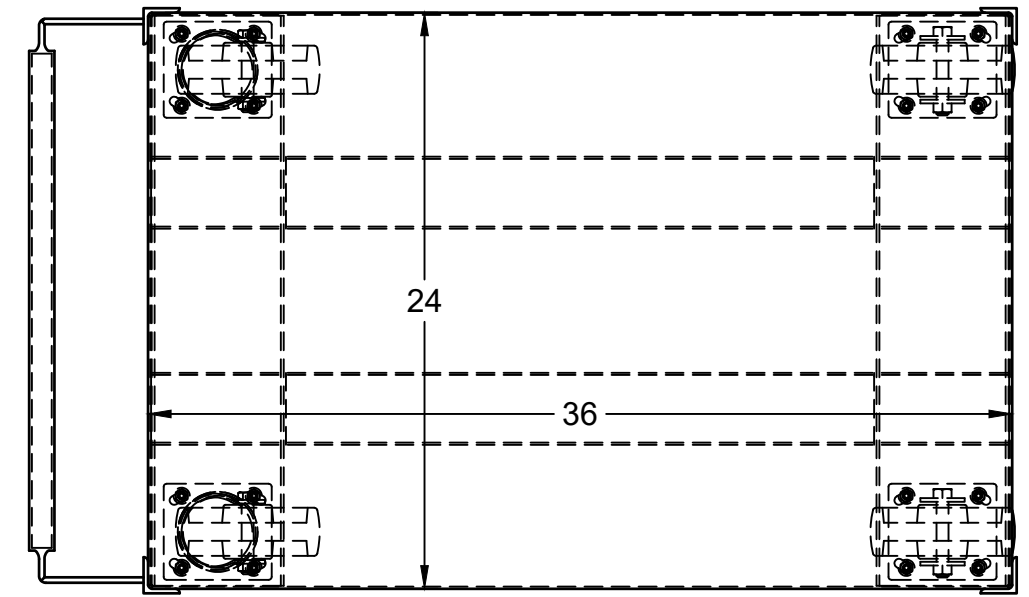
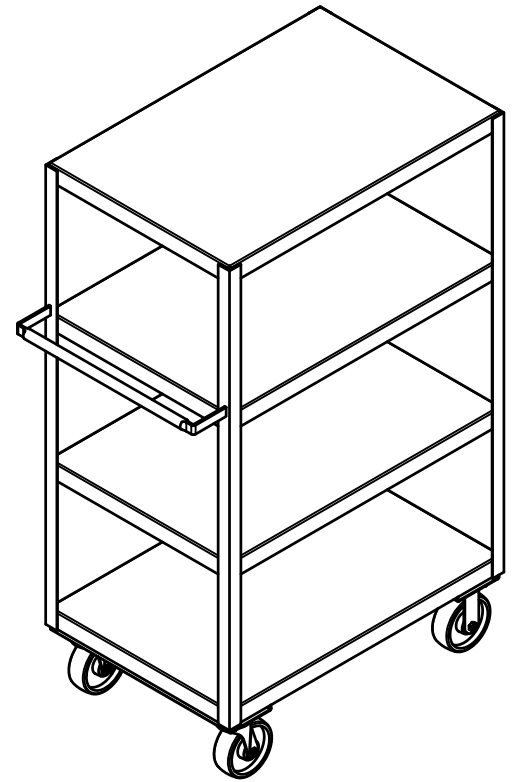
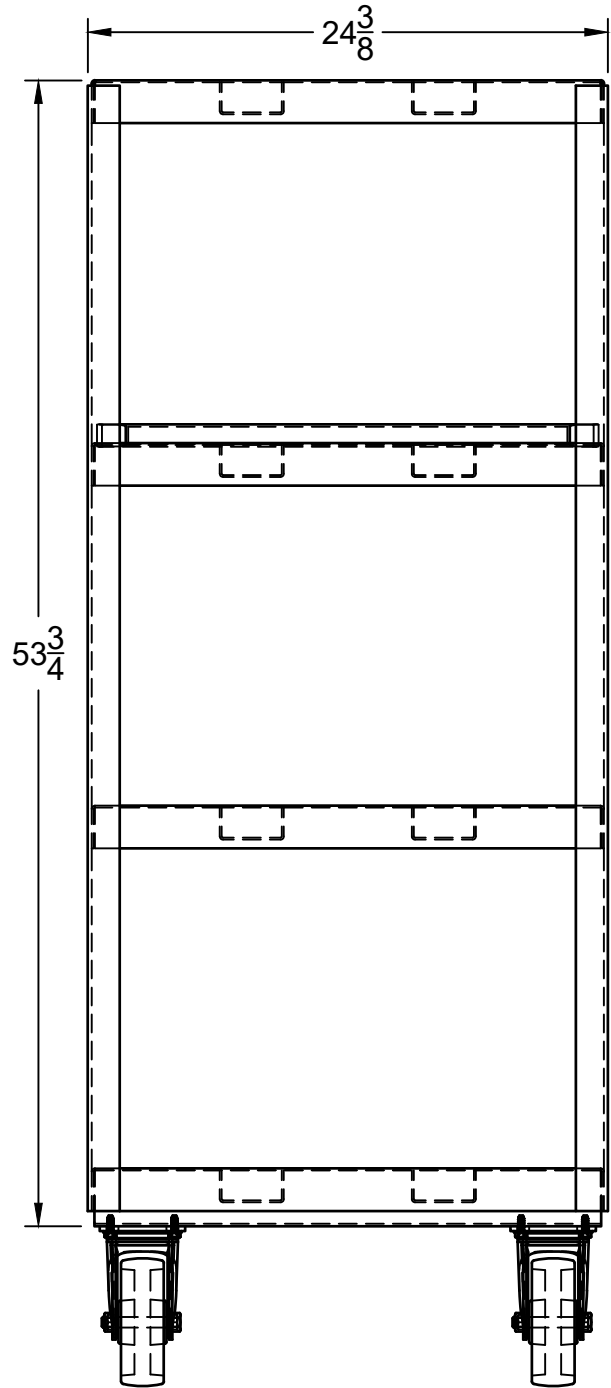



6x2 PH casters
2 swivel & 2 rigid



FIRST PART APPROVAL REQUIRED
APPROVED BY _____
DATE _____

		PROJECT Shelf truck		
		TITLE Shelf truck - 2,000# capacity 36"L x 24"W x 61 1/4"H (4 shelves) w/6x2 phenolic casters		
APPROVED	SIZE	DUTY	DWG NO	REV
CHECKED	B	Heavy	13497C	
DRAWN	Jesse Pifer	2/2/2024	SCALE 1:10	WEIGHT 196 lbs
				SHEET 1/1