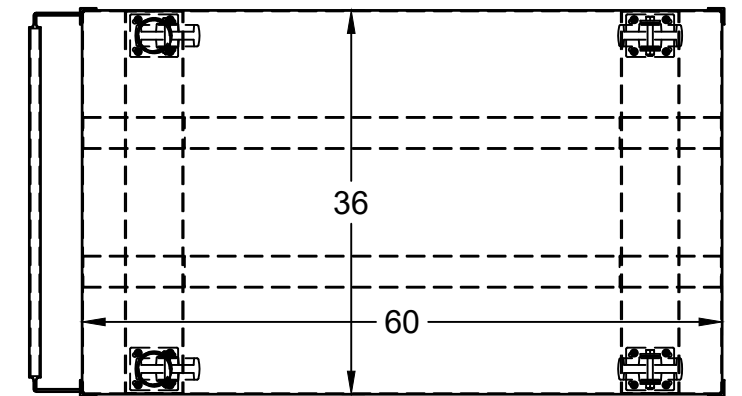
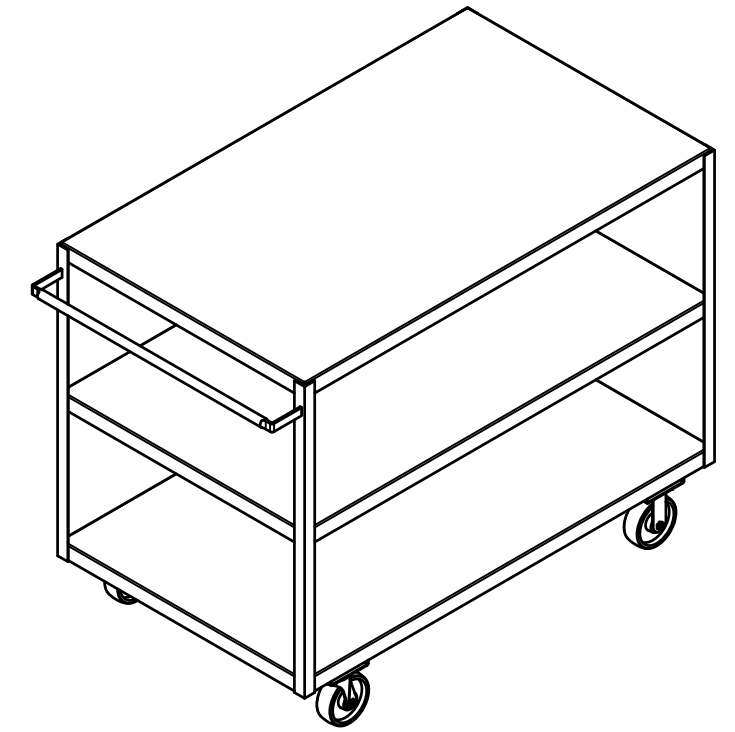
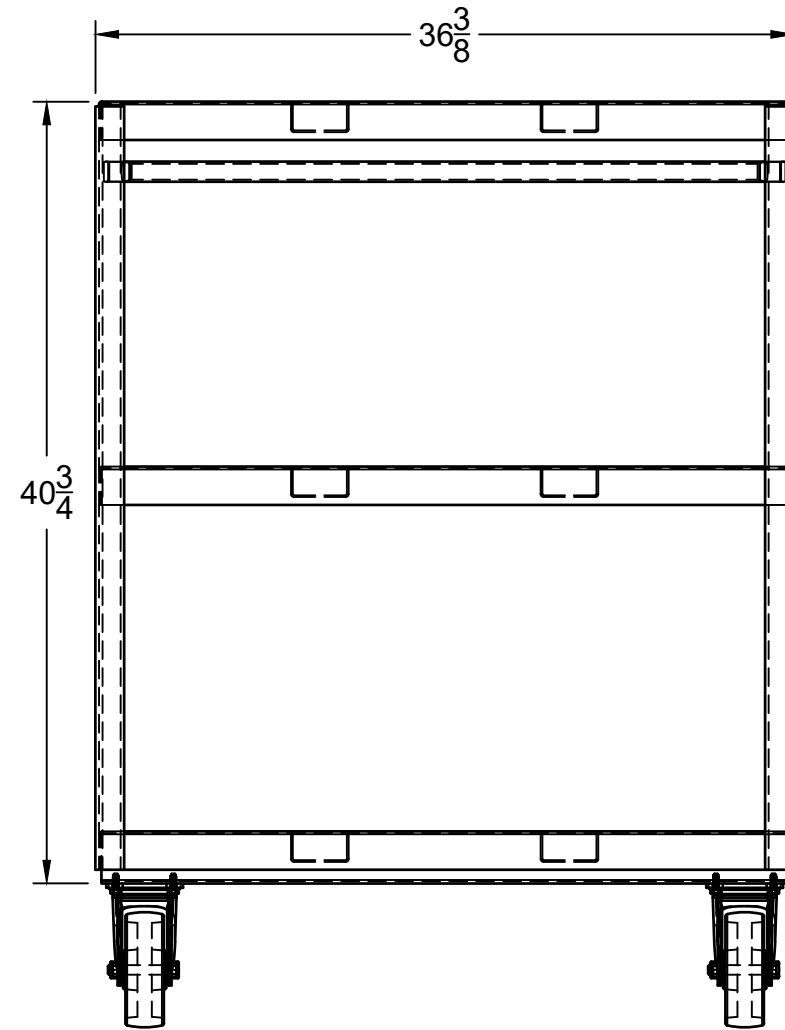


6x2 PH casters
2 swivel & 2 rigid



**FIRST PART
APPROVAL REQUIRED**

APPROVED BY _____
DATE _____



PROJECT

Shelf truck

TITLE

**Shelf truck - 2,000# capacity
60"L x 36"W x 48 1/4"H (3 shelves)
w/6x2 phenolic casters**

APPROVED	SIZE	DUTY	DWG NO	REV
CHECKED	B	Heavy	13487C	
DRAWN Jesse Pifer 2/2/2024	SCALE 1:10	WEIGHT 281 lbs	SHEET 1/1	