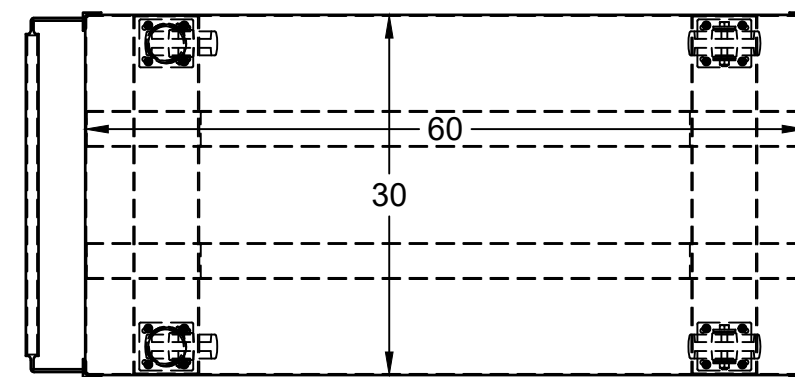
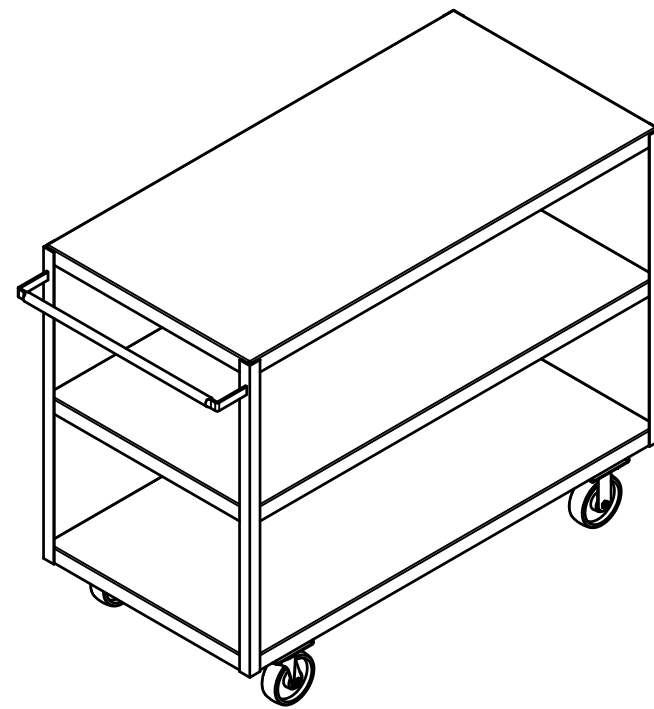
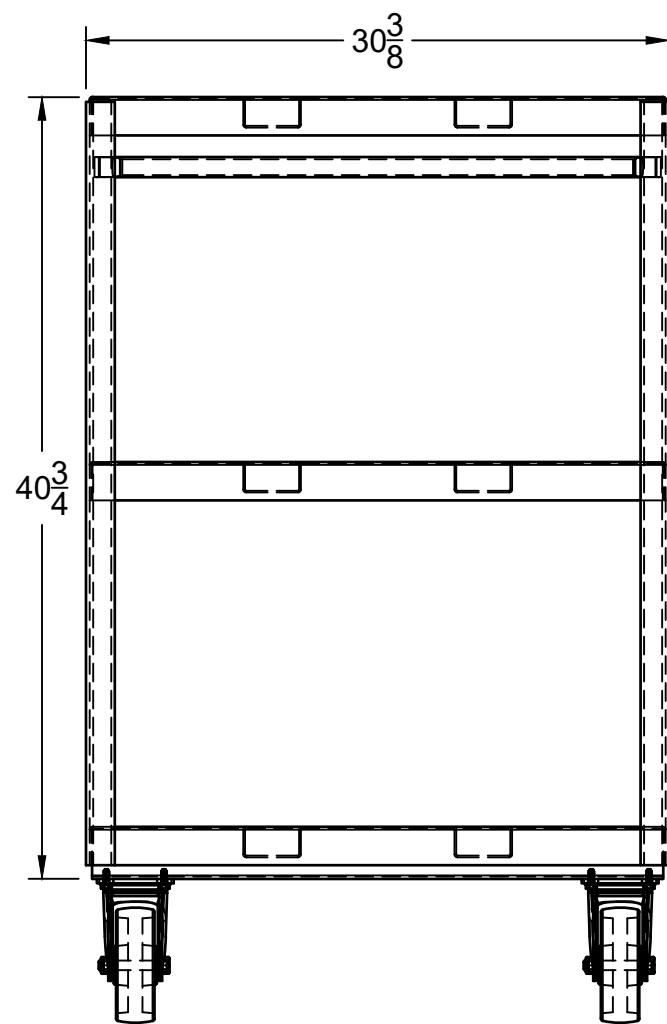


6x2 PH casters
2 swivel & 2 rigid



**FIRST PART
APPROVAL REQUIRED**

APPROVED BY _____
DATE _____



PROJECT

Shelf truck

TITLE

**Shelf truck - 2,000# capacity
60"L x 30"W x 48 1/4"H (3 shelves)
w/6x2 phenolic casters**

APPROVED

CHECKED

DRAWN

Jesse Pifer

2/2/2024

SIZE

B

DUTY

Heavy

DWG NO

13484C

REV

SCALE 1:10

WEIGHT 248 lbs

SHEET 1/1