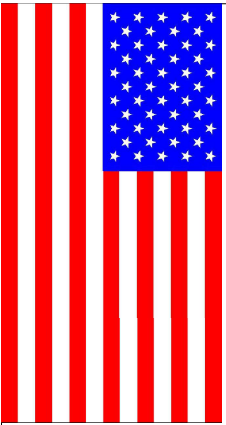
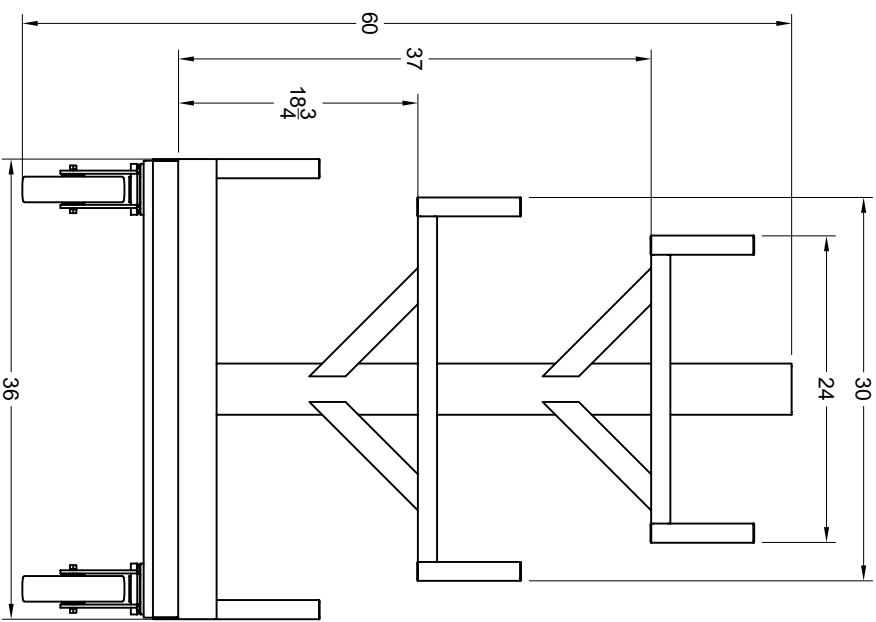
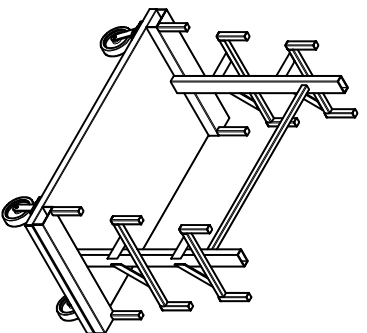


8x2 PH casters
2 swivel & 2 rigid



CUSTOMER DRAWING
APPROVAL
APPROVED BY _____
DATE _____



TITLE
Bar-Rod truck
72"L x 36"W x 60"H

PROJECT

APPROVED	SIZE	CODE	DWG NO	REV
CHECKED	B		111130	
DRAWN	SCALE 1:12		WEIGHT 294 lbs	SHEET 1/1

Jesse Pifer 10/25/2022