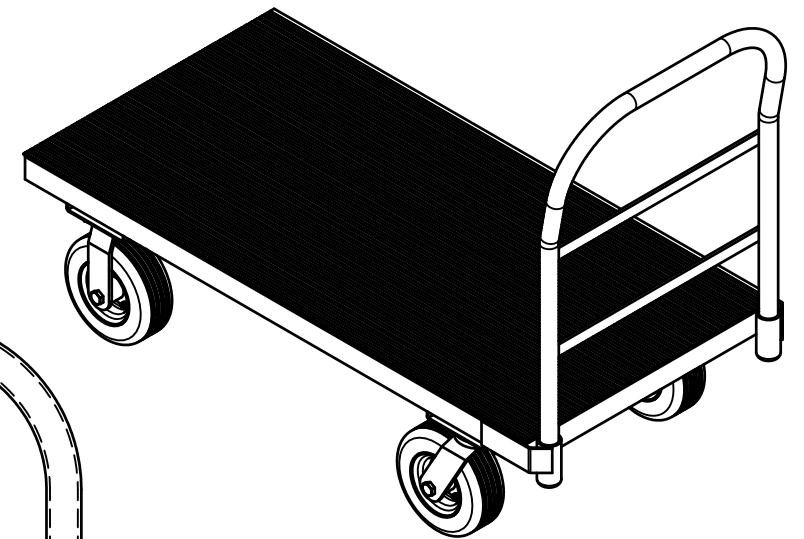
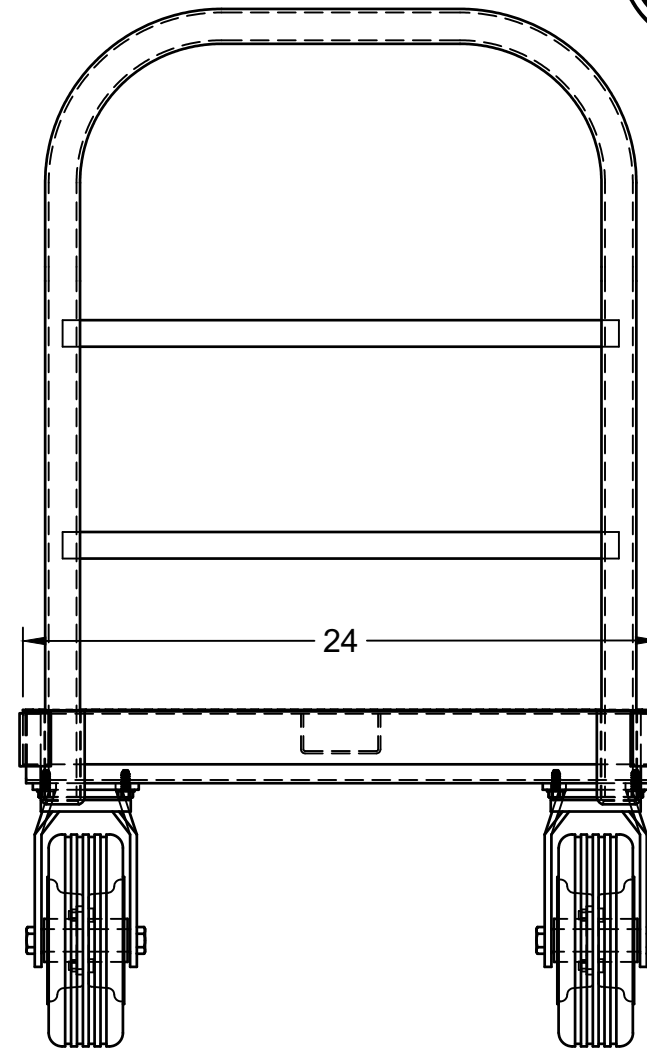
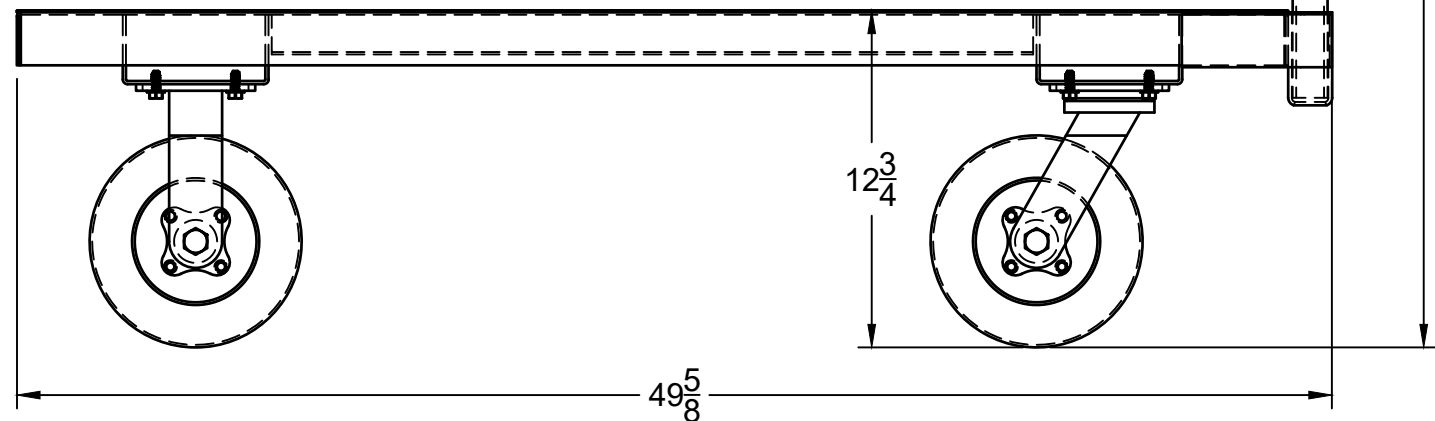



8" Full pneumatic casters
2 rigid & 2 swivel



**FIRST PART
APPROVAL REQUIRED**

APPROVED BY _____
DATE _____

		PROJECT			
		Platform truck			
		TITLE			
		Platform truck - 1,200# capacity 48"L x 24"W x 12 3/4" (deck height) w/8" pneumatic tires & non slip deck			
APPROVED	SIZE	CODE	DWG NO	REV	
CHECKED	B		10299T		
DRAWN	Jesse Pifer	1/30/2024	SCALE 1:7.25	WEIGHT 107 lbs	SHEET 1/1