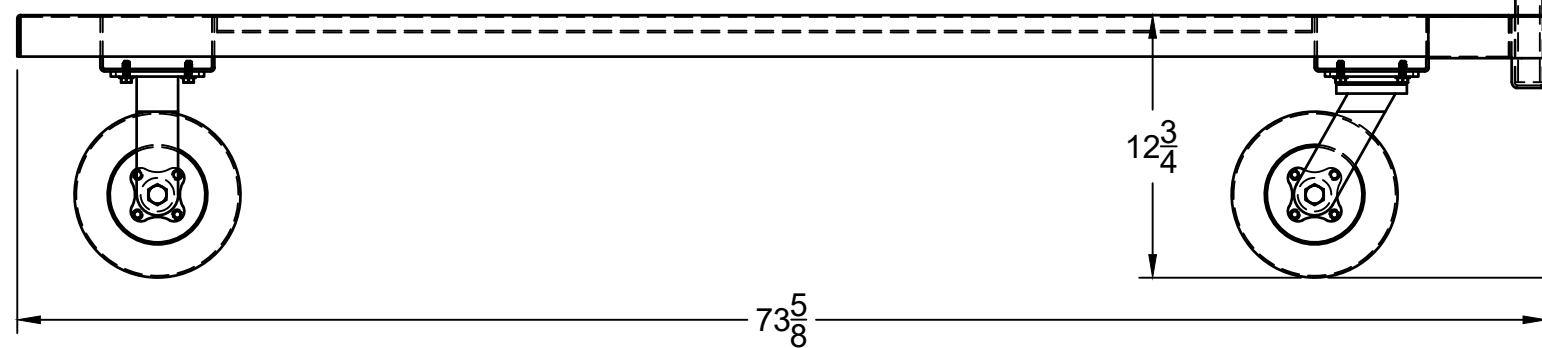
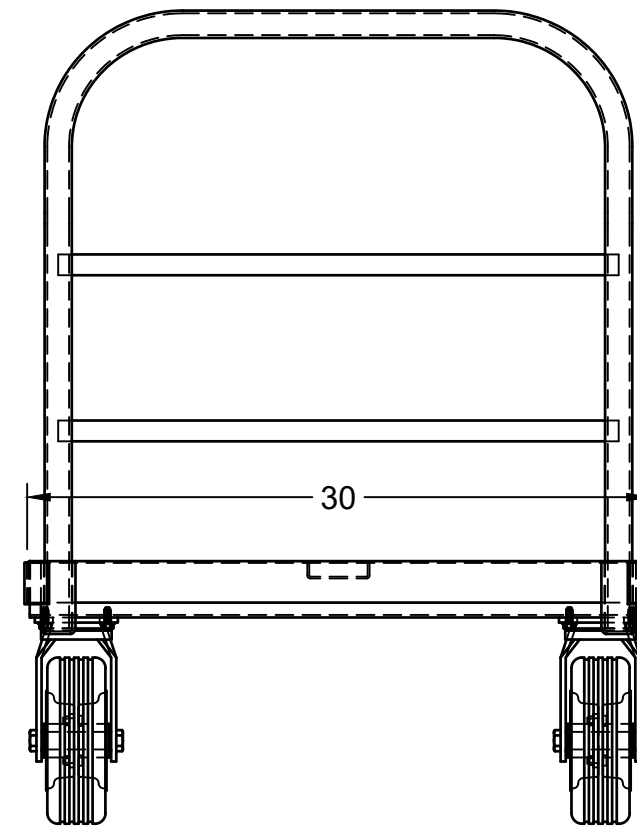
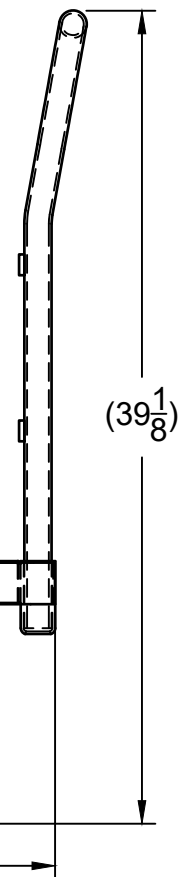
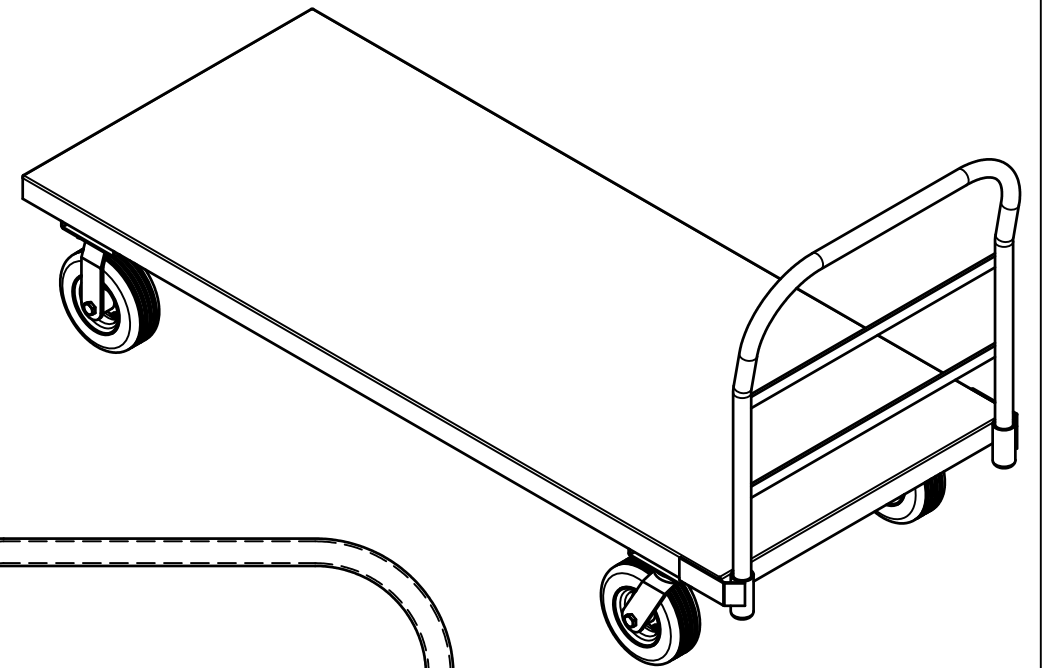



8" Pneumatic casters
2 rigid & 2 swivel



**FIRST PART
APPROVAL REQUIRED**
APPROVED BY _____
DATE _____

		PROJECT Platform truck		
		TITLE Platform truck - 1,200# capacity 72"L x 30"W x 12 3/4" (deck height) w/8" pneumatic tires & plain deck		
APPROVED	SIZE	CODE	DWG NO	REV
CHECKED	B		10285T	
DRAWN	Jesse Pifer	1/30/2024	SCALE 1:9.25	WEIGHT 139 lbs
			SHEET 1/1	