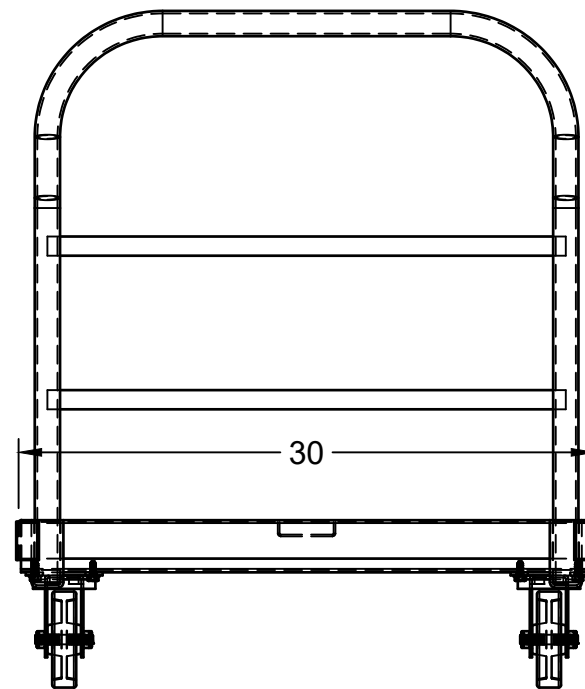
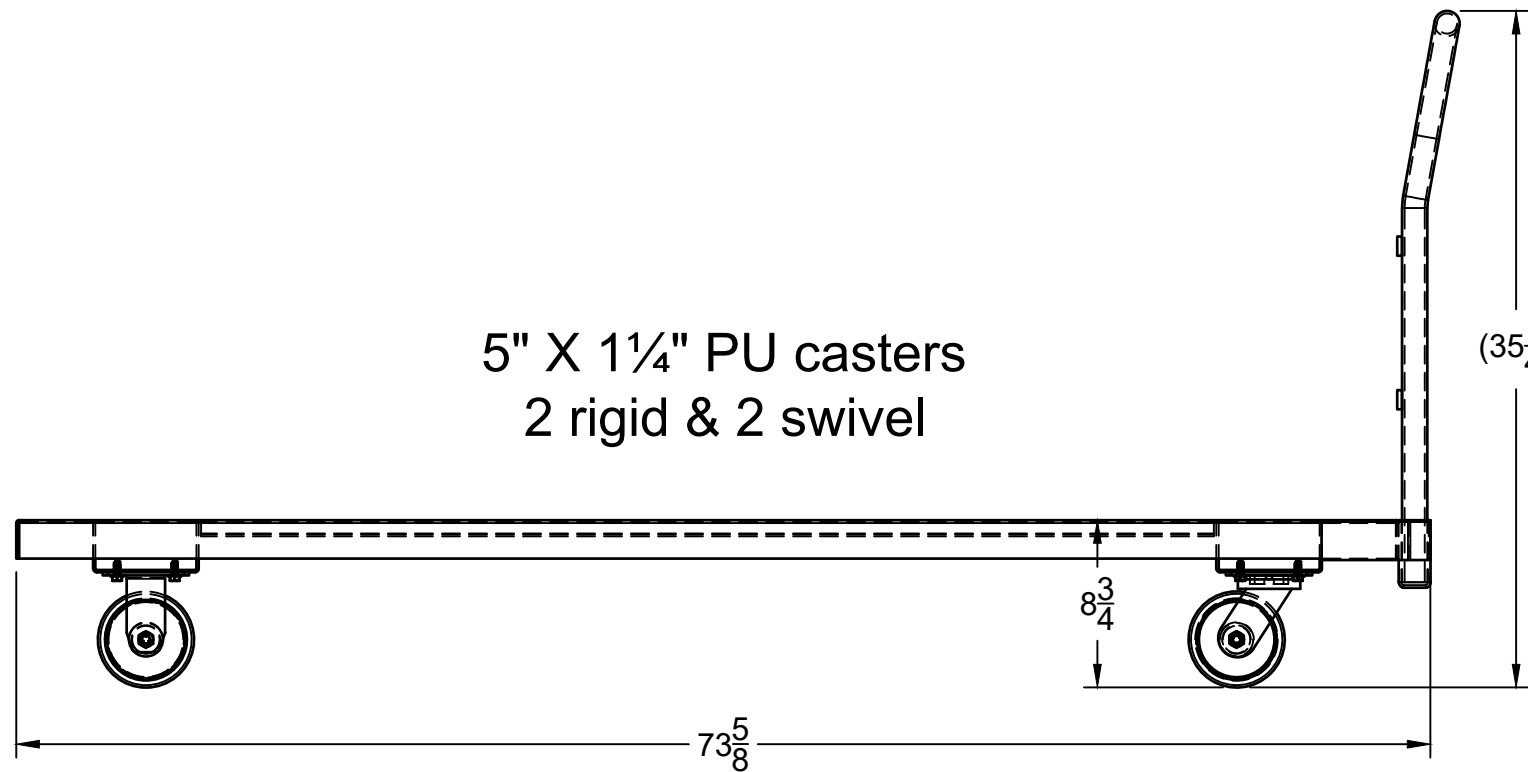



5" X 1 1/4" PU casters
2 rigid & 2 swivel

(35 1/4)



FIRST PART
APPROVAL REQUIRED

APPROVED BY _____
DATE _____

		PROJECT			
		Platform truck			
		TITLE			
		Platform truck - 1,000# capacity 72"L x 30"W x 8 3/4"H (deck height) w/5" x 1 1/4" polyurethane casters			
APPROVED	SIZE	CODE	DWG NO	REV	
CHECKED	B		102855		
DRAWN	Jesse Pifer	1/30/2024	SCALE 1:10	WEIGHT 115 lbs	SHEET 1/1