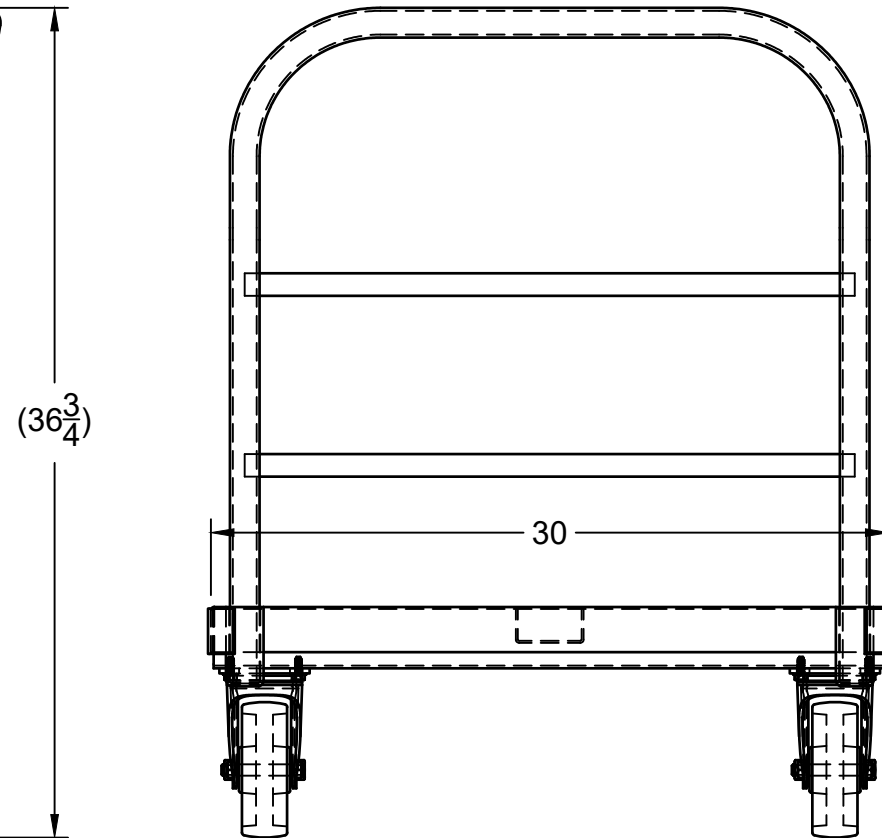
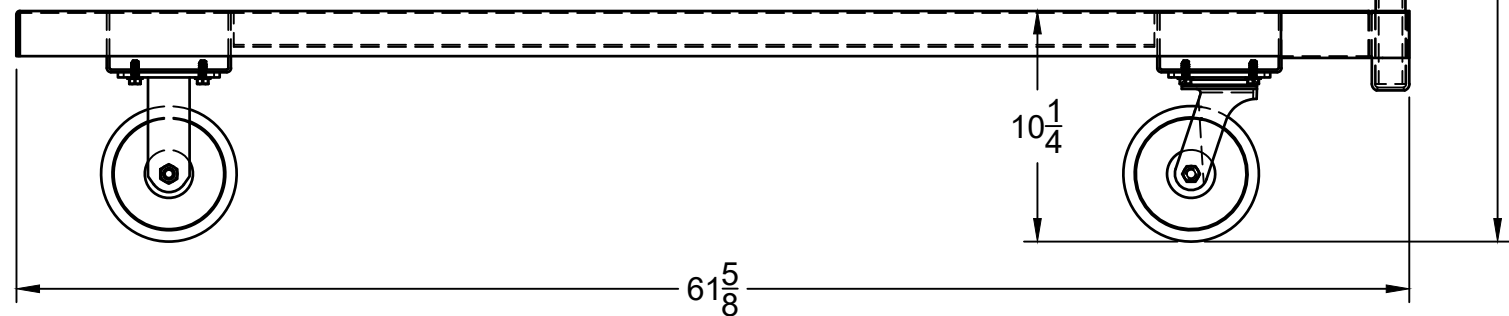



6" x 2" mold on rubber casters  
2 rigid & 2 swivel



**FIRST PART  
APPROVAL REQUIRED**  
APPROVED BY \_\_\_\_\_  
DATE \_\_\_\_\_

		PROJECT Platform truck		
		TITLE Platform truck - 2,000# capacity 60"L x 30"W x 10 1/4" (deck height) w/6x2 moldon rubber casters		
APPROVED	SIZE	CODE	DWG NO	REV
CHECKED	B		10284B	
DRAWN	Jesse Pifer	1/30/2024	SCALE 1:8.5	WEIGHT 121 lbs
			SHEET 1/1	