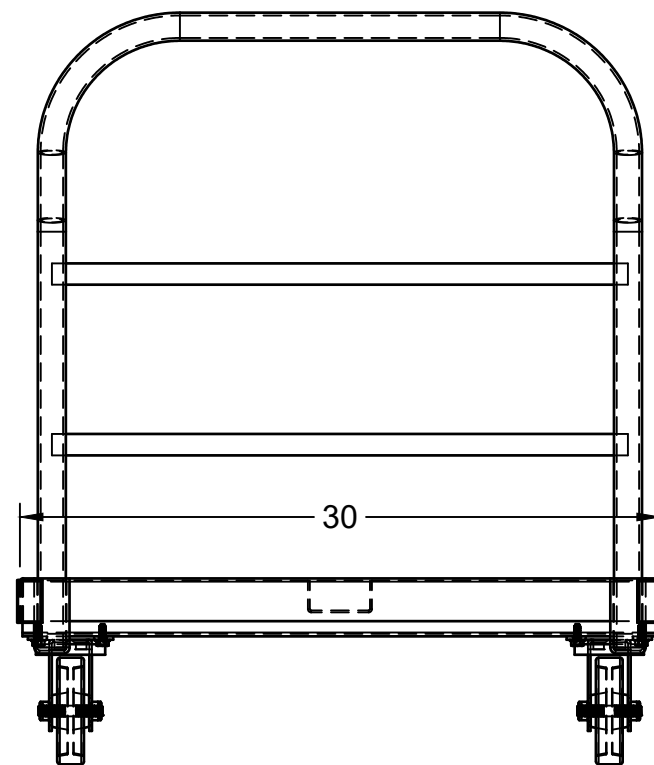
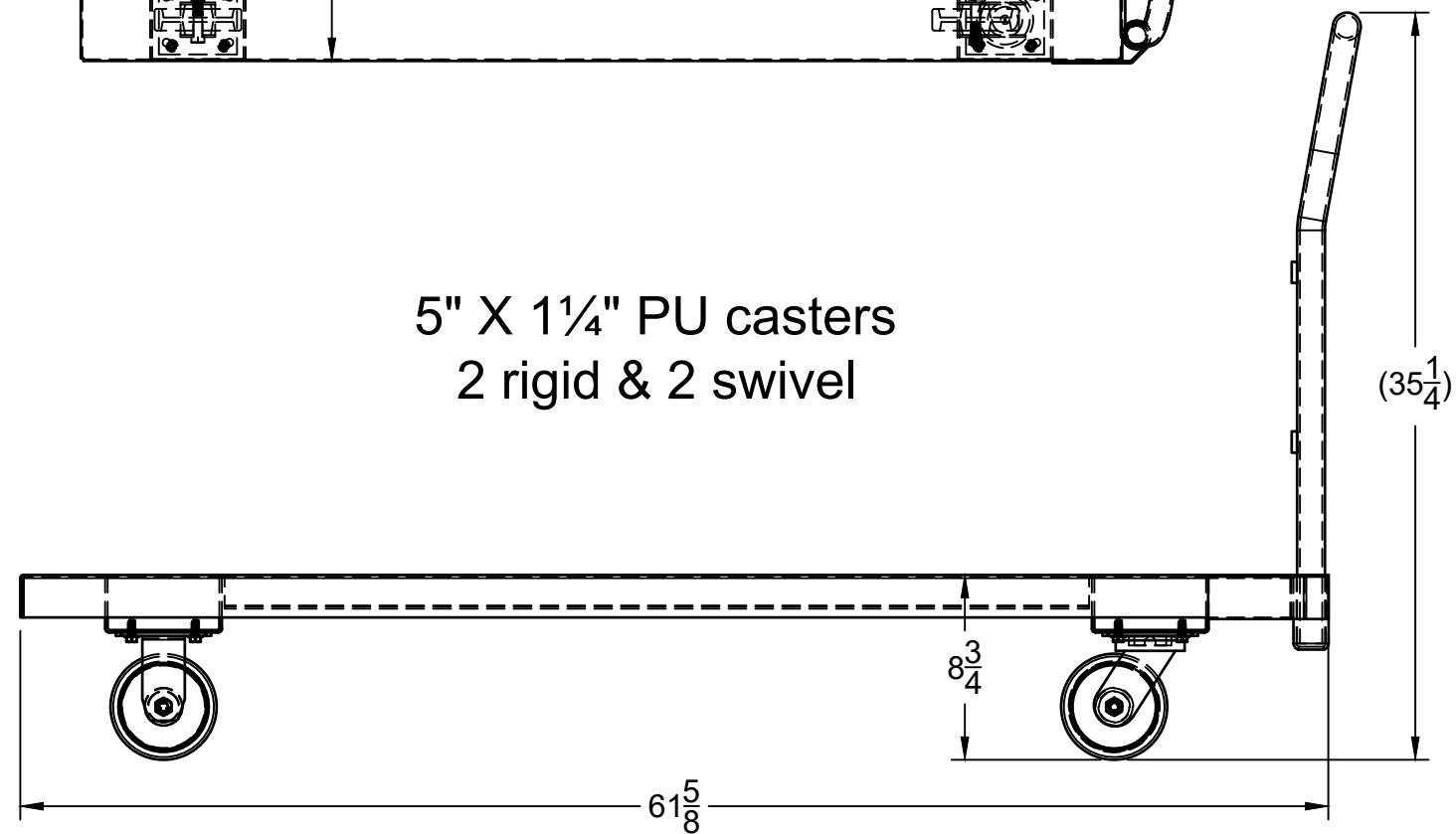



5" X 1 1/4" PU casters
2 rigid & 2 swivel



**FIRST PART
APPROVAL REQUIRED**

APPROVED BY _____
DATE _____

	PROJECT			REV	
	Platform truck				
	TITLE			REV	
	Platform truck - 1,000# capacity 60"L x 30"W x 8 3/4" (deck height) w/5 1 1/4" polyurethane casters				
APPROVED	SIZE	CODE	DWG NO	REV	
CHECKED	B		102845		
DRAWN	Jesse Pifer	1/30/2024	SCALE 1:9	WEIGHT 86 lbs	SHEET 1/1