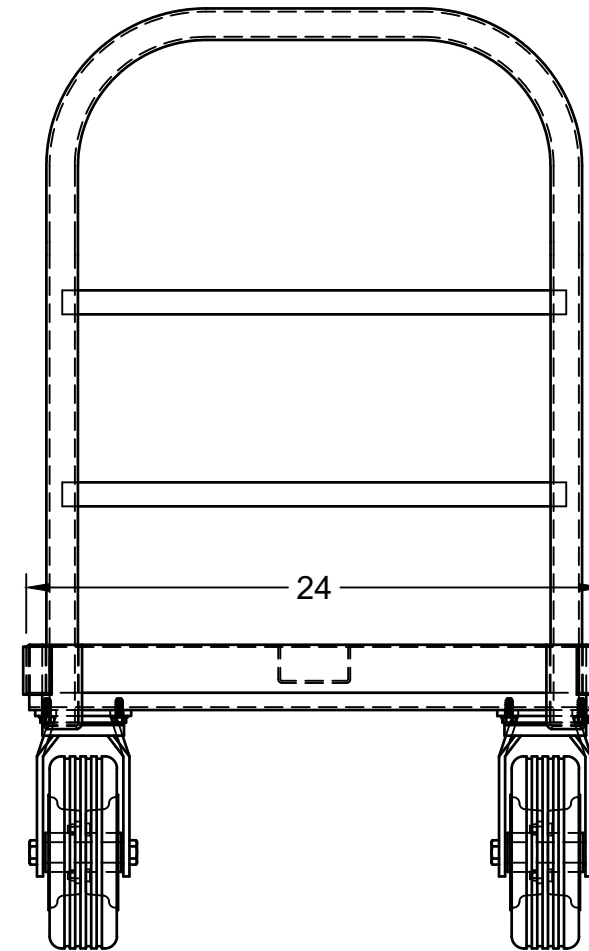
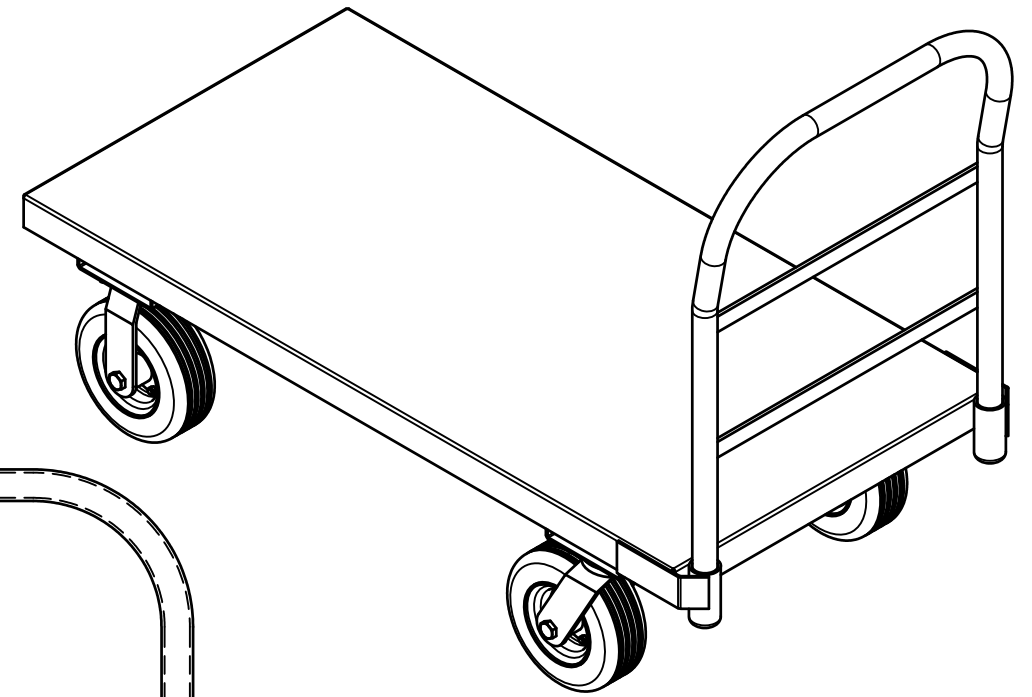
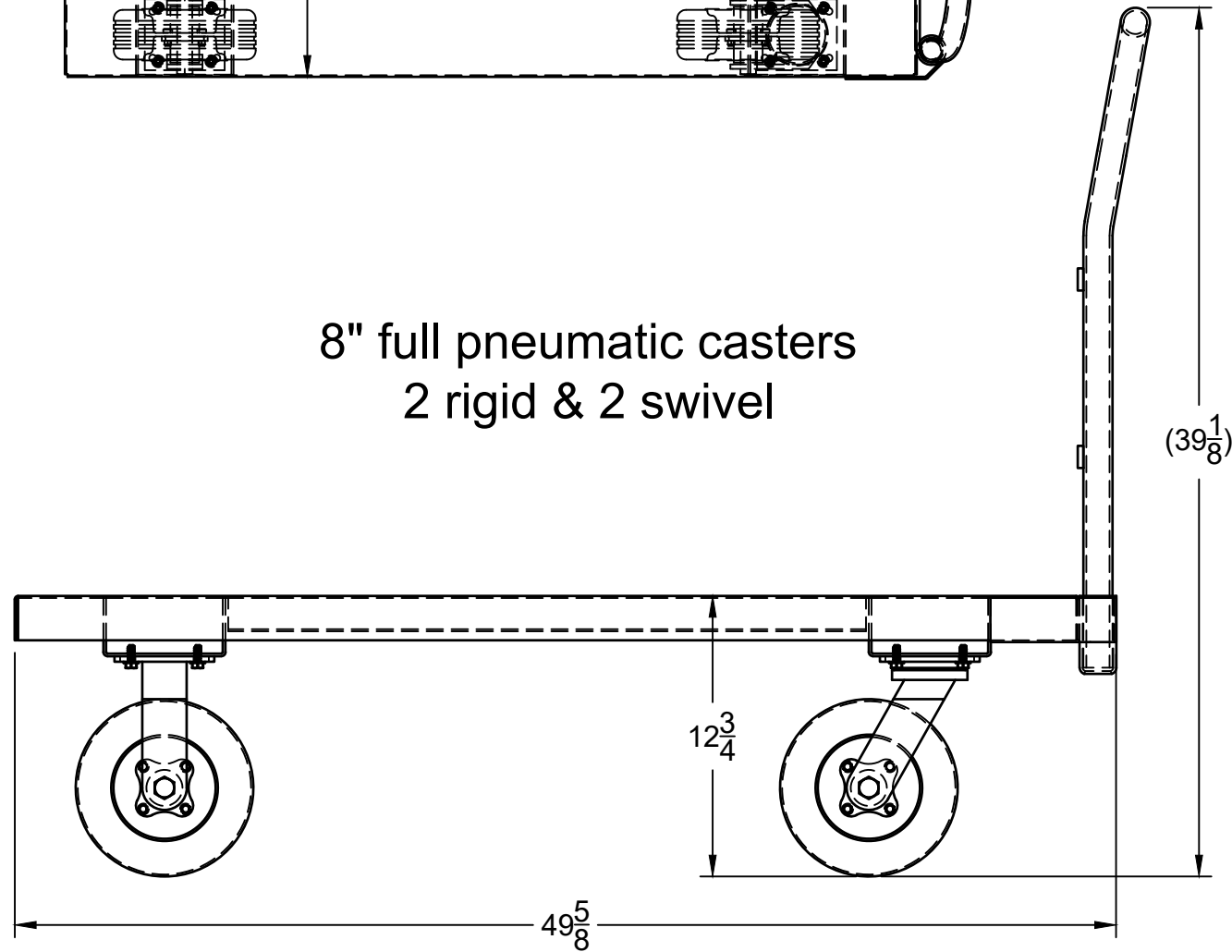



8" full pneumatic casters
2 rigid & 2 swivel



**FIRST PART
APPROVAL REQUIRED**

APPROVED BY _____
DATE _____

		PROJECT Platform truck		
		TITLE Platform truck - 1,200# capacity 48"L x 24"W x 12 3/4" (deck height) w/8" pneumatic tires & plain deck		
APPROVED	SIZE	CODE	DWG NO	REV
CHECKED	B		10279T	
DRAWN	Jesse Pifer	1/30/2024	SCALE 1:8	WEIGHT 101 lbs
			SHEET 1/1	