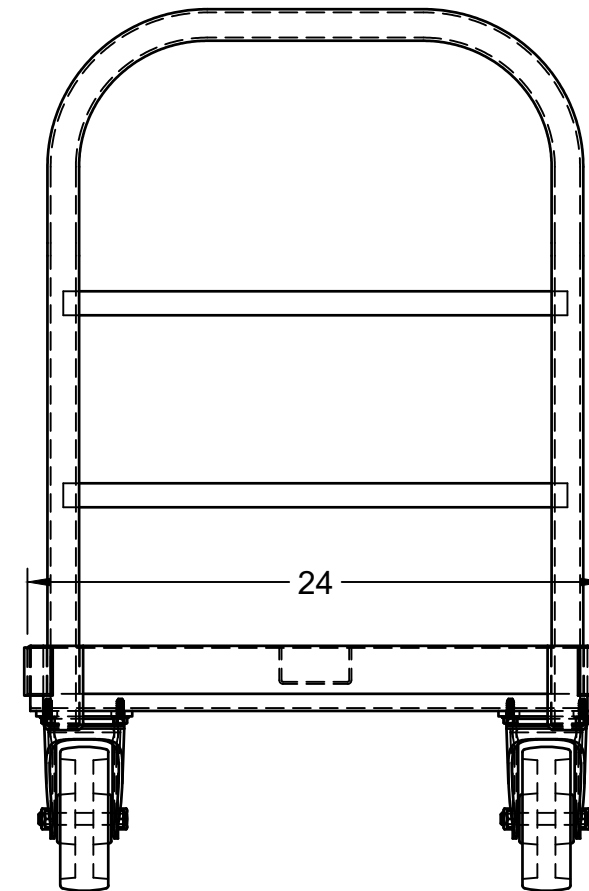
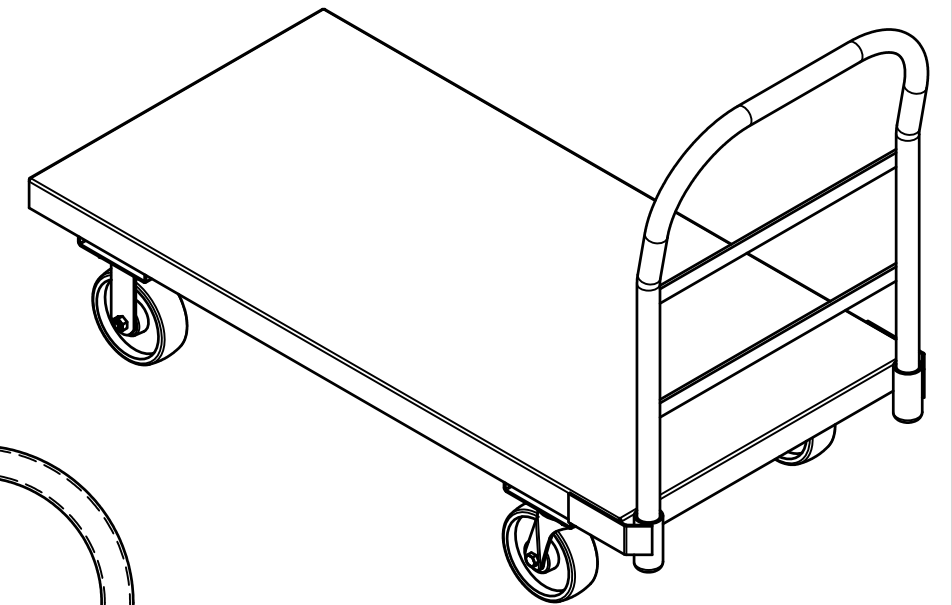
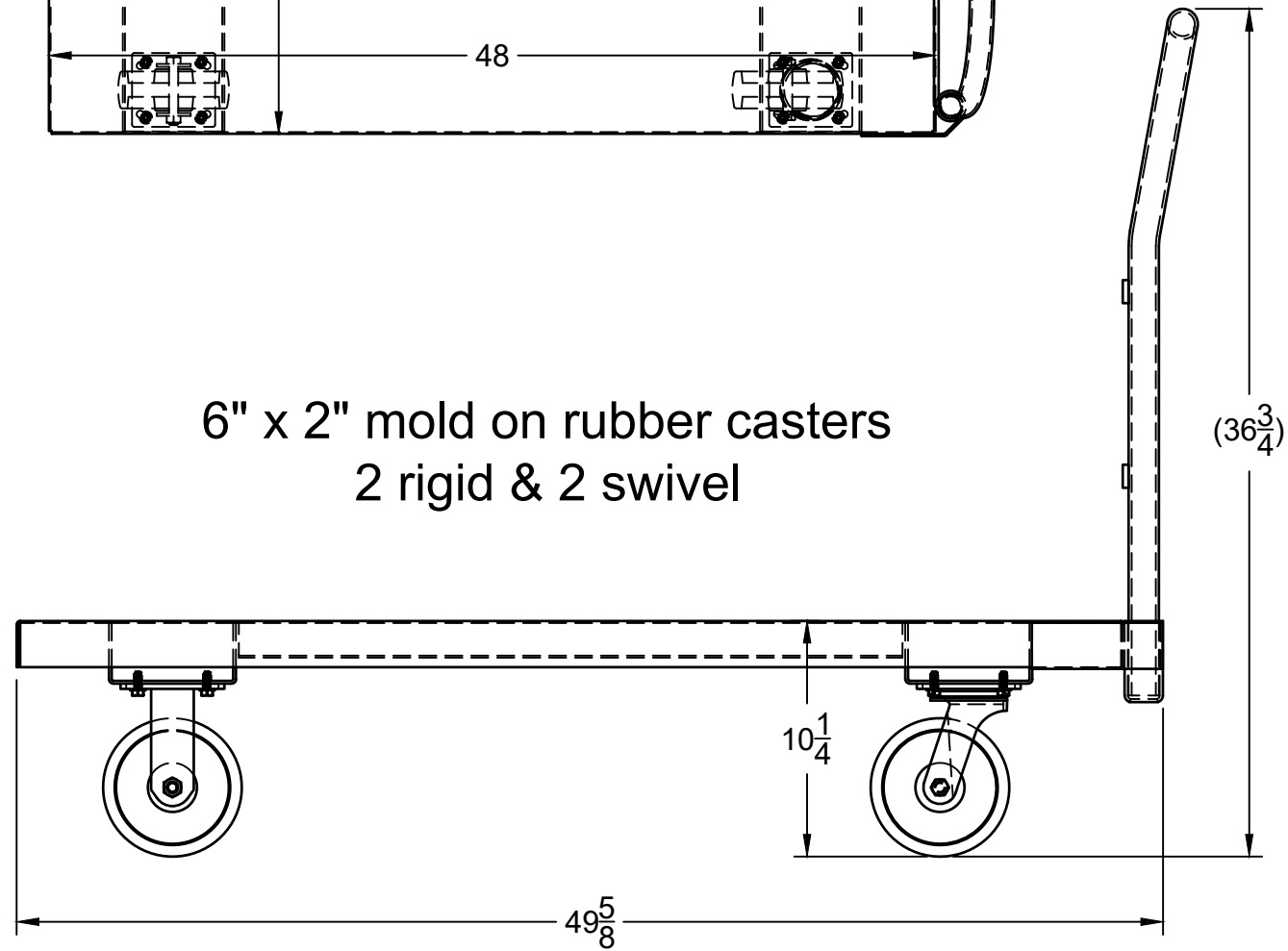



6" x 2" mold on rubber casters
2 rigid & 2 swivel



**FIRST PART
APPROVAL REQUIRED**

APPROVED BY _____
DATE _____

		PROJECT			
		Platform truck			
		TITLE			
		Platform truck - 2,000# capacity 48"L x 24"W x 10 1/4" (deck height) w/ 6x2 moldon rubber casters			
APPROVED	SIZE	CODE	DWG NO	REV	
CHECKED	B		10279B		
DRAWN	Jesse Pifer	1/30/2024	SCALE 1:8	WEIGHT 102 lbs	SHEET 1/1