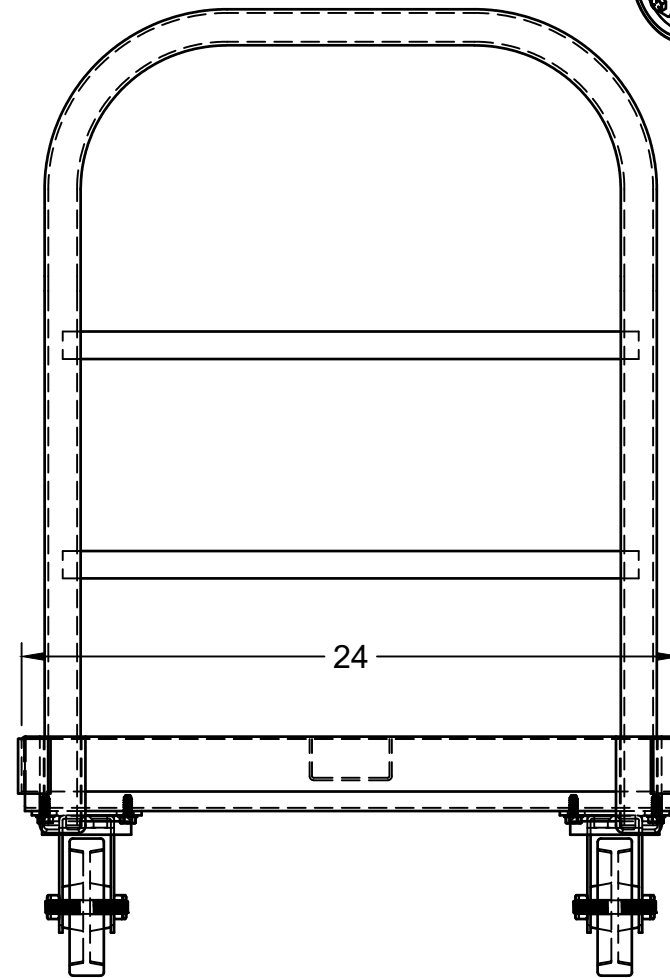
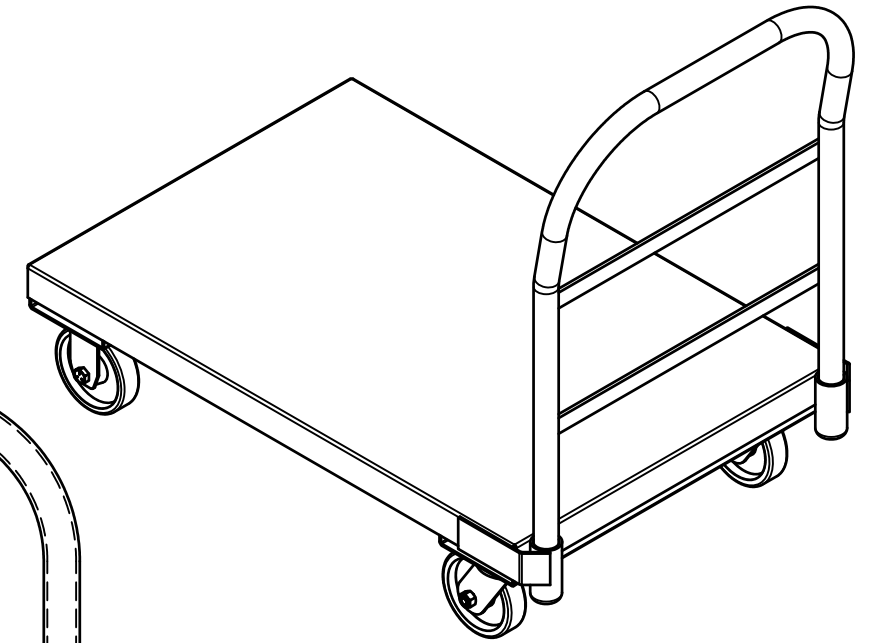



5" X 1¹/₄" PU casters
2 rigid & 2 swivel



FIRST PART
APPROVAL REQUIRED

APPROVED BY _____
DATE _____

		PROJECT		
		Platform truck		
		TITLE		
		Platform truck - 1,000# capacity 36"L x 24"W x 8 3/4" (deck height) w/5 x 1 1/4" polyurethane casters		
APPROVED	SIZE	CODE	DWG NO	REV
CHECKED	B		102775	
DRAWN	Jesse Pifer	1/30/2024	SCALE 1:7	WEIGHT 60 lbs
			SHEET 1/1	