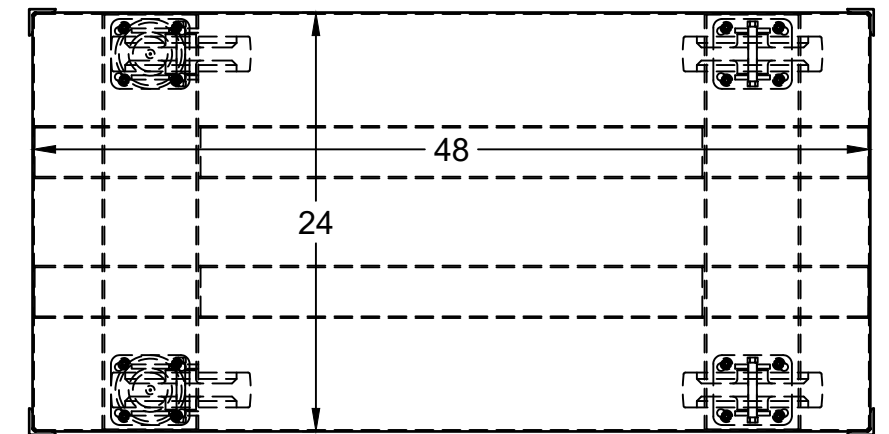
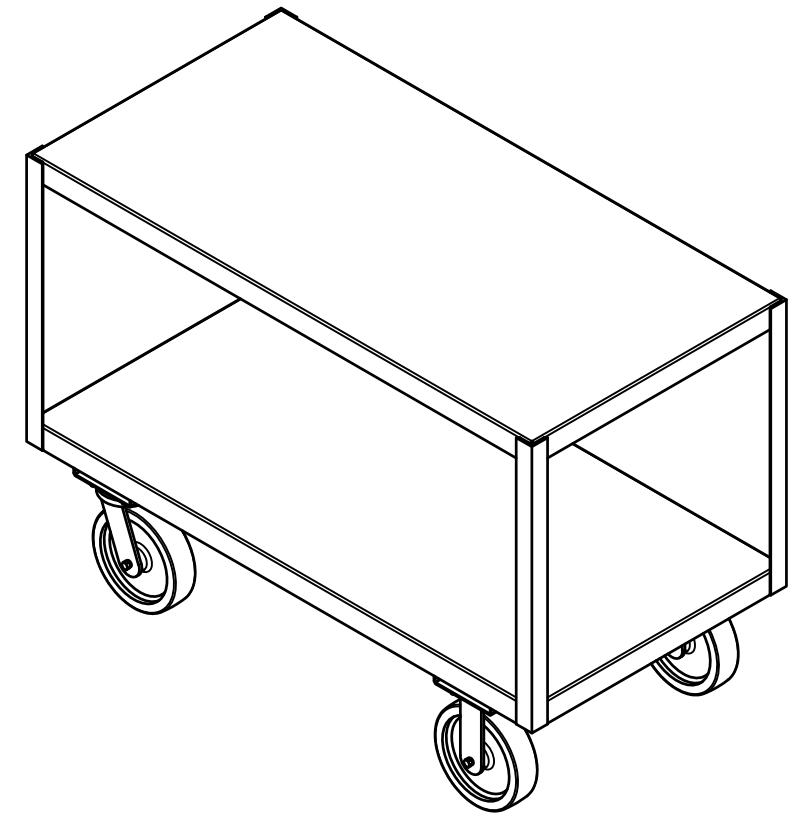
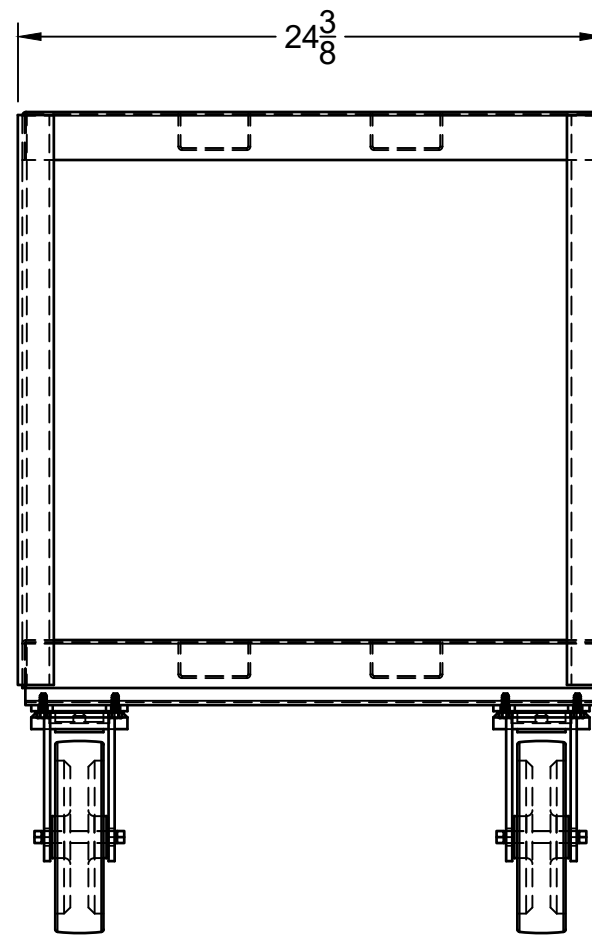


8x2 PH casters
2 swivel & 2 rigid



**FIRST PART
APPROVAL REQUIRED**

APPROVED BY _____
DATE _____



PROJECT

Portable work bench

TITLE

Portable work bench - 4,000\$ capacity
48"L x 24"W x 34 1/4"H (2 shelves)
w/8x2 phenolic casters

APPROVED	SIZE	DUTY	DWG NO	REV
CHECKED	B	Super Heavy	10239L	
DRAWN Jesse Pifer 2/2/2024	SCALE 1:8	WEIGHT 151 lbs	SHEET 1/1	